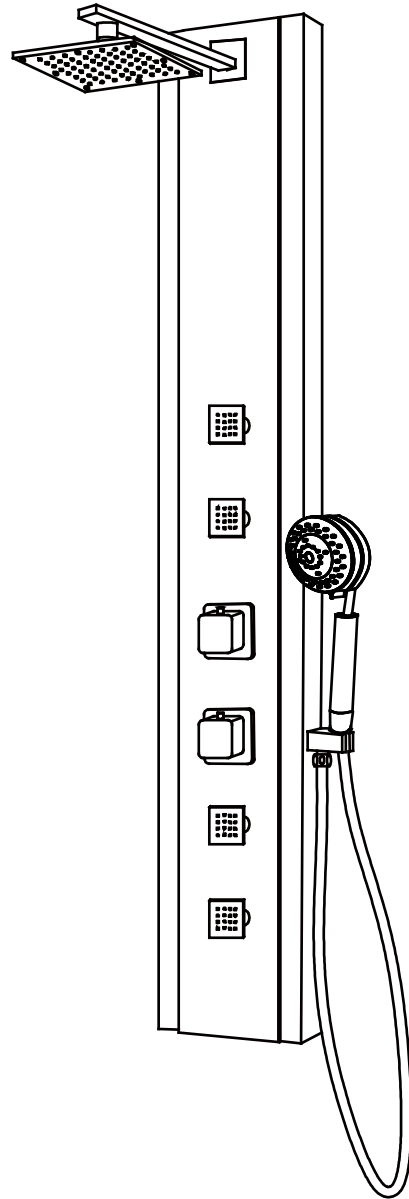




ANZZI™

MONSOON
INSTALL GUIDE



Model#
SP-AZ012

PERFECTION IS OUR TRADITION™

TABLE OF CONTENTS

Parts List	Pg. 1
Before You Start	Pg. 2
Spec Drawing	Pg. 3
Installation	Pg. 4
Care & Maintenance	Pg. 10
Warranty	Pg. 11
Registration	Final Page

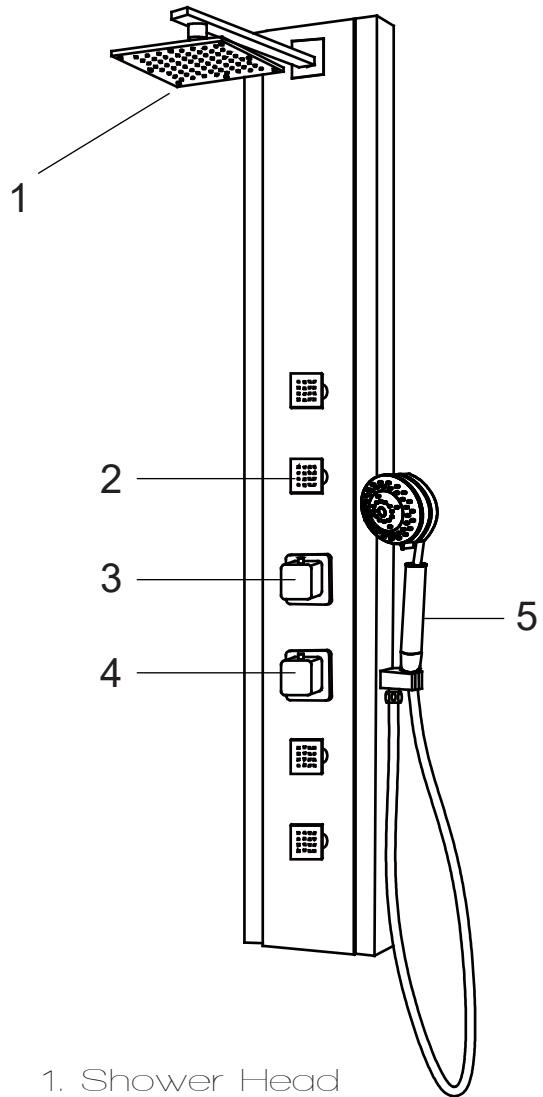
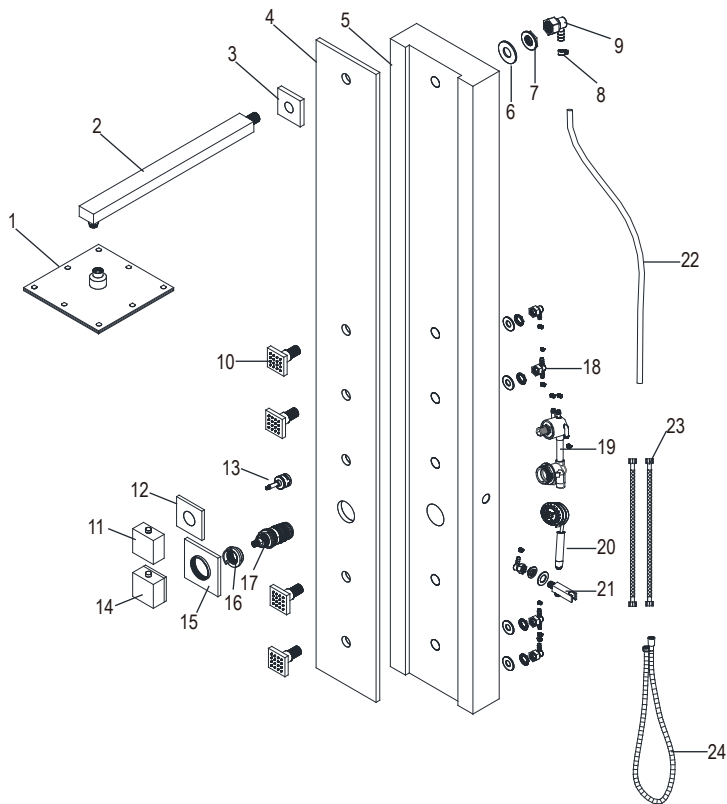
YOUR REVIEWS MATTER!



The ANZZI™ Family thanks you for your purchase and hopes you enjoy your very own ANZZI product for years to come! In the meantime let us know about your experience? We would love to hear your thoughts from the packaging to the quality and function of the product.

Also, we humbly request submitting as many pictures as possible along with your review. Millions of shoppers will want to know about your experience with our products. Don't just tell but show, too!

PARTS LIST



- 1. Shower Head
- 2. Body Jets
- 3. Diverter
- 4. Mixer
- 5. Hand Shower

Component no.	Component	Material
1	head shower	s/s
2	arm bar	brass
3	flange	brass
4	front body	glass
5	backside body	s/s
6	washer 1	rubber
7	arm bar nut	brass
8	clip	s/s
9	one way joint	ABS
10	bodyjets	brass
11	knob	zinc
12	knob plate cover	zinc
13	cartridge	ABS
14	handle	zinc
15	handle plate cover	zinc
16	valve cap	ABS
17	thermostatic cartridge	ABS
18	two way joint	ABS
19	thermostatic mixer	brass
20	hand shower	ABS
21	hand shower holder	ABS
22	pvc hose	PVC
23	braided hose	s/s
24	flexible hose	s/s

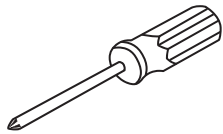


ASME A112.18.1/CSA B125.1

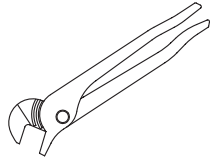
PERFECTION IS OUR TRADITION™

BEFORE YOU START

Recommended Items



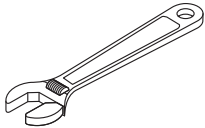
Screwdriver



Channel Locks



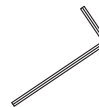
Goggles



Adjustable Wrench



Teflon tape



Allen key

ATTENTION: Please read all instructions thoroughly including all warnings, attentions and notes before beginning installation.

PERFECTION IS OUR TRADITION™

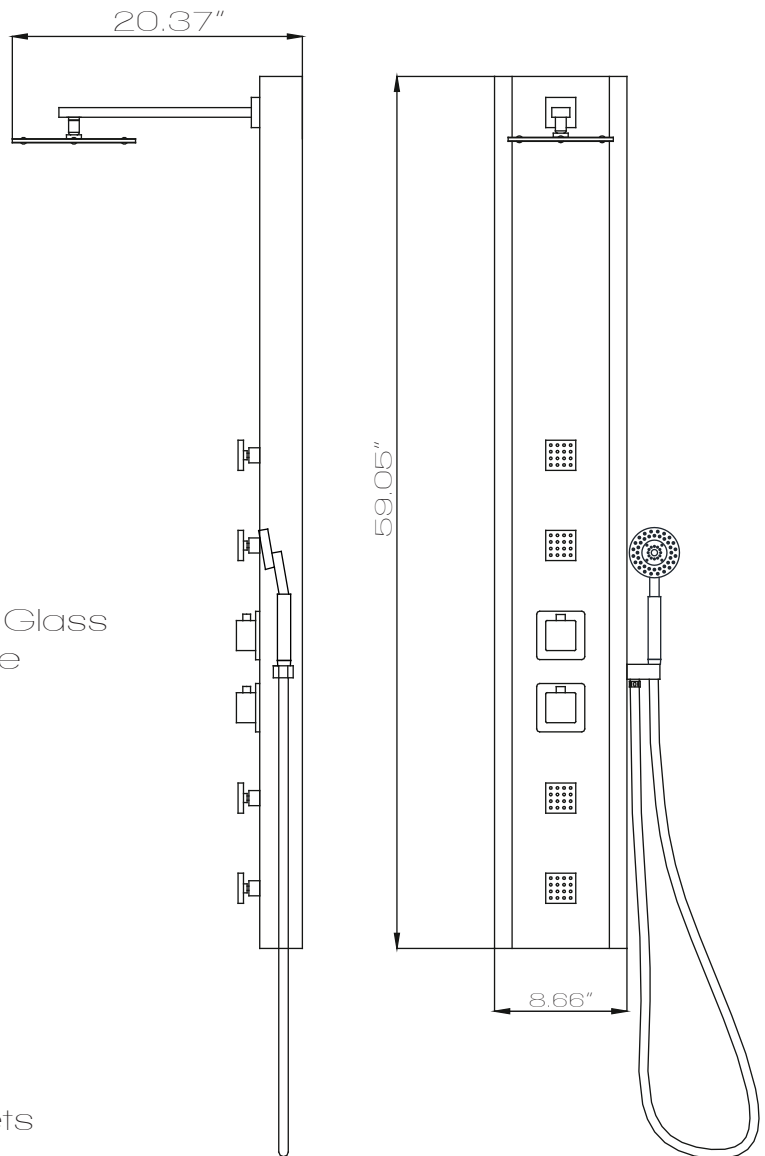
SPEC DRAWING

MONSOON SP-AZ012

Material: Stainless steel & Tempered Glass
Finish: Brushed & Dark Wood style
Handles: 2
Jets: 4
Shower: 6.89" x 6.89"
Sprayer: 60" reach
Weight: 26.67 lbs
Height: 59.05"
Supply: 1/2" connections
Flow: 1.8 gpm

Features

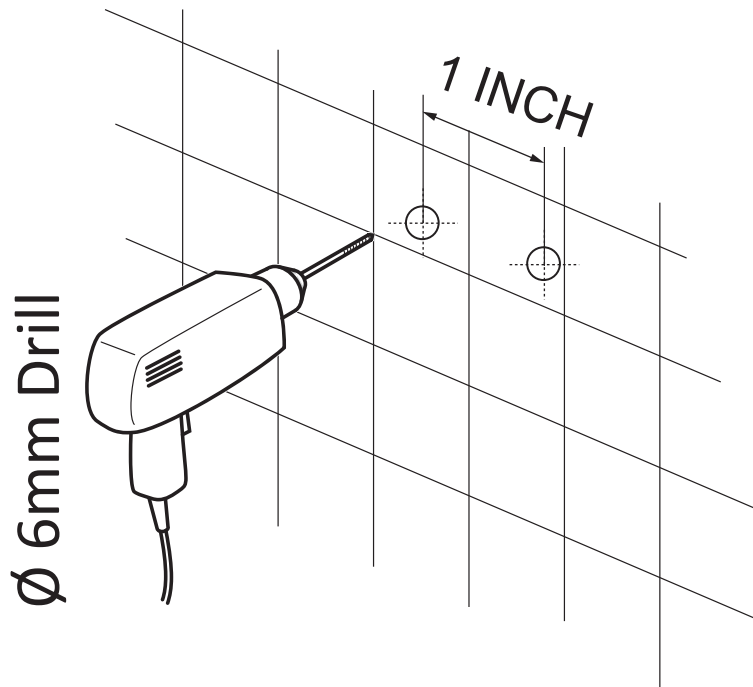
Heavy Rain™ Fixed Showerhead
Acu-Stream™ high pressure body jets
Euro-Grip™ hand held sprayer
Rhino Alloy™ certified materials



PERFECTION IS OUR TRADITION™

INSTALLATION (SETUP)

Figure A



IMPORTANT Before drilling any holes for the shower panel brackets, ensure there are no hidden cables or pipelines aligned with the desired drilling position.

Step A Drill the two holes for the top bracket 1" apart at the desired height.

Step A.2 Drill the two holes for the bottom bracket 1" apart at approximately 45" below the top bracket.

INSTALLATION (SETUP)

Figure B

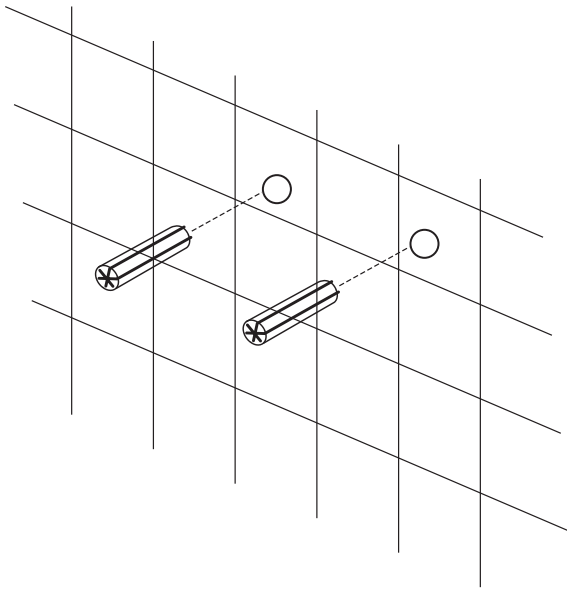
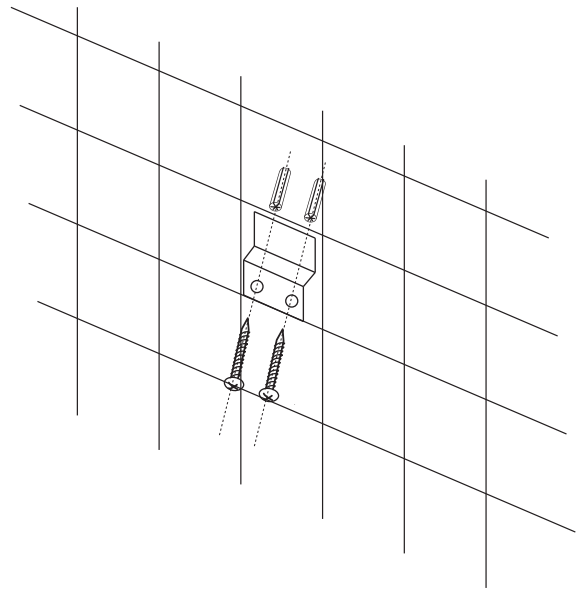


Figure C



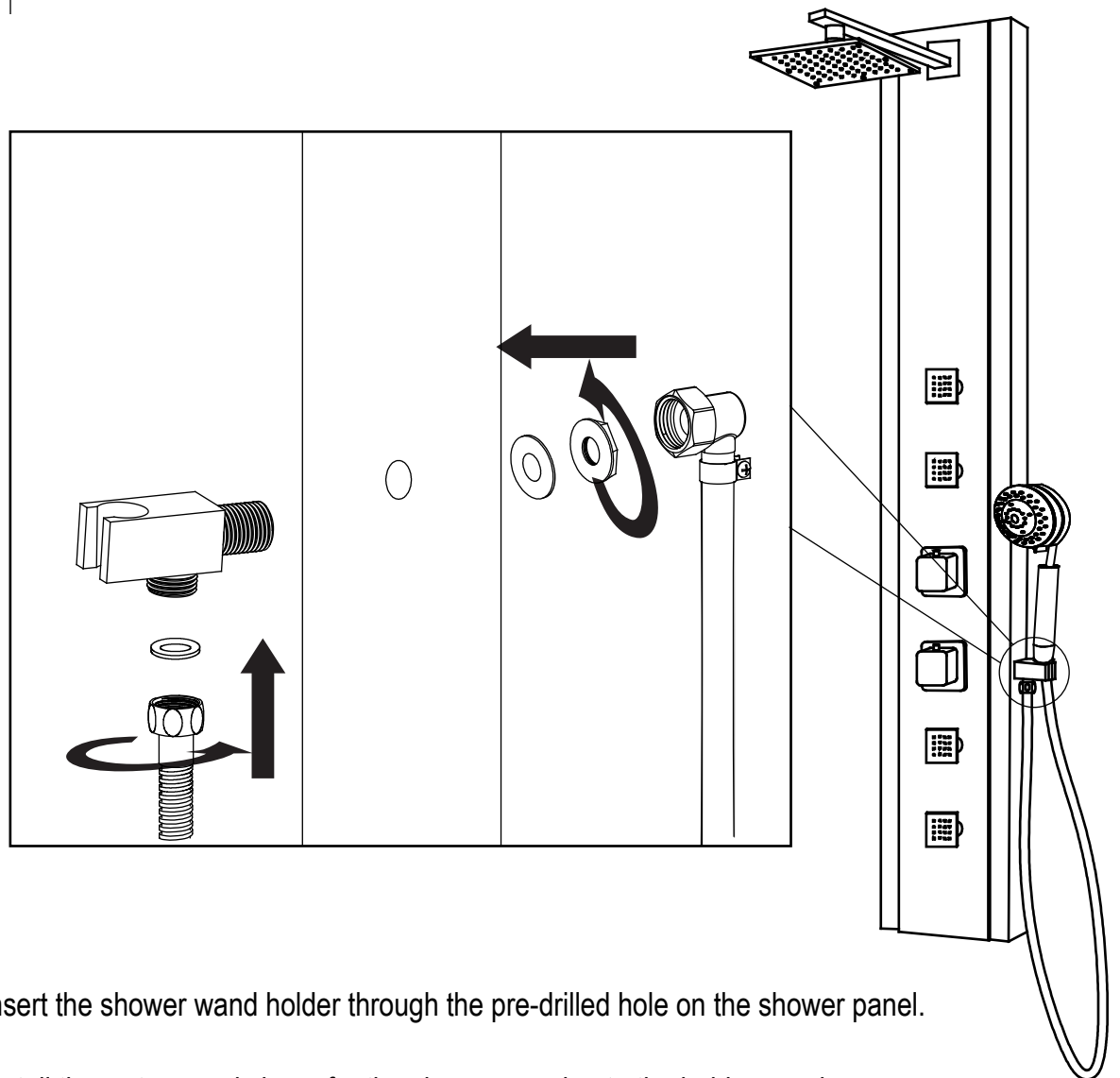
Step B Insert the wall anchors into the pre-drilled holes as shown in Figure B.

Step C Place the shower panel brackets aligned with the drilled holes and using a Philips screwdriver tighten the screws to secure the brackets.

PERFECTION IS OUR TRADITION™

INSTALLATION (HANDSHOWER)

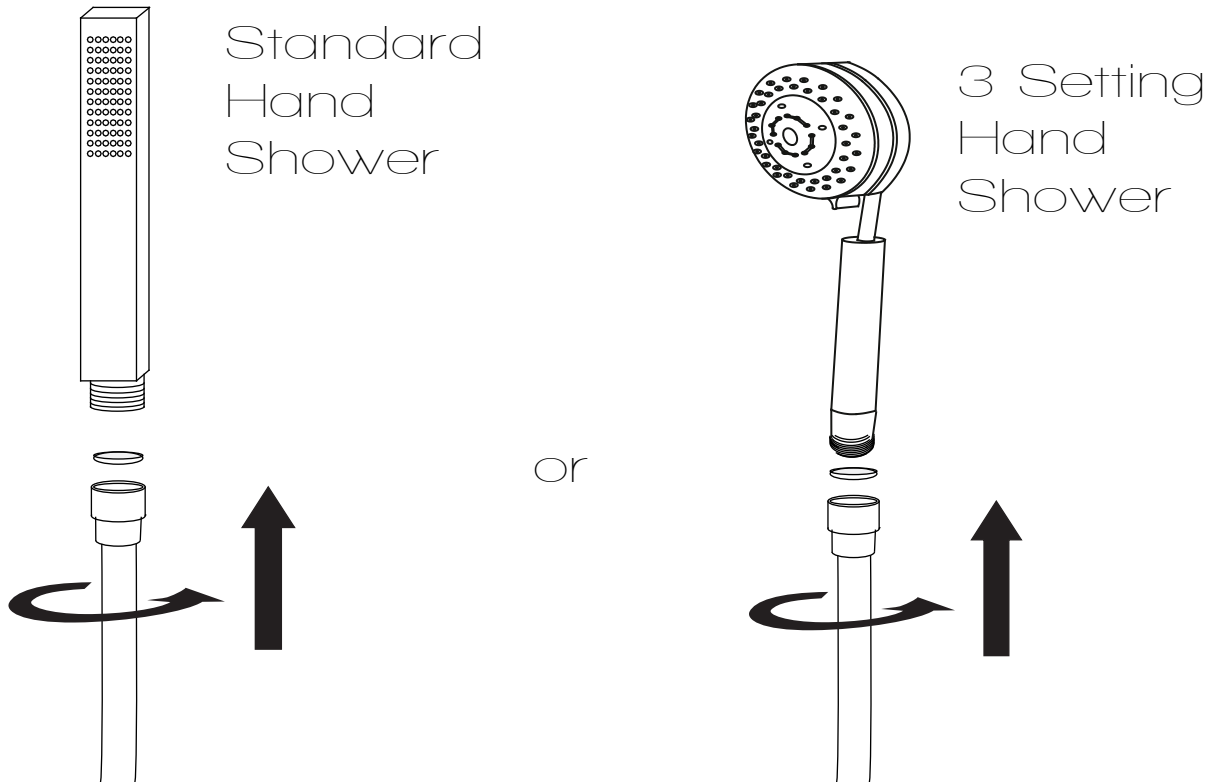
Figure 1



- Step 1A** Insert the shower wand holder through the pre-drilled hole on the shower panel.
- Step 1B** Install the water supply hose for the shower wand onto the holder, as shown.
- Step 1C** Make sure all O-rings are inserted to prevent leakage.
- Step 1D** Once the shower panel is fully installed and hung on the bracket, you can install the shower wand hose to the holder connection.

INSTALLATION (HANDSHOWER)

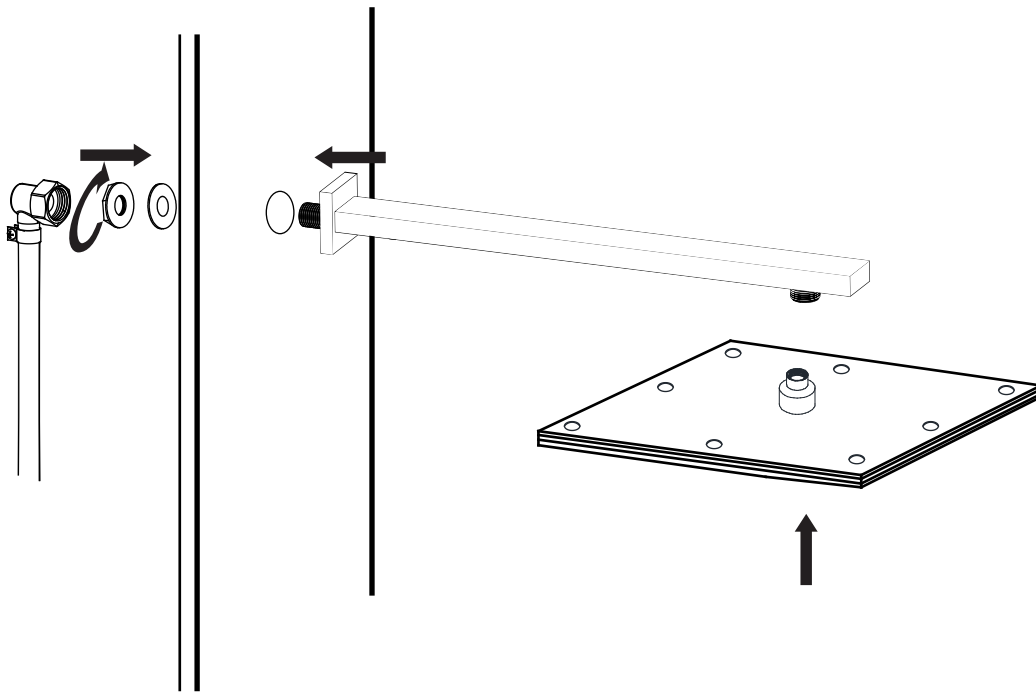
Figure 2



Step 2A Finally, install the shower wand to the hose, as shown.

INSTALLATION (SHOWER HEAD)

Figure 3



Step 3A Install the shower arm to the shower panel, using the rubber washer and nut on the opposite side to tighten.

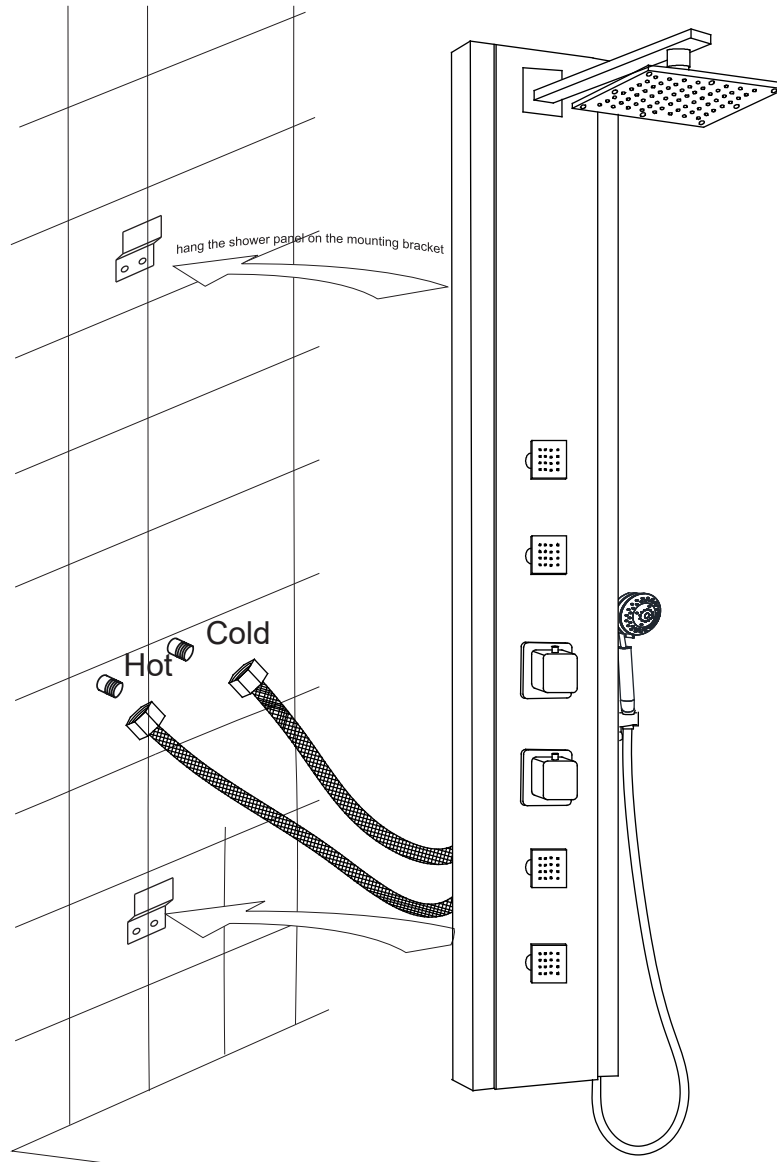
Step 3B Makes sure the shower arm is sitting correctly before installed the shower head.

Step 3C Screw the shower head onto the shower arm.

PERFECTION IS OUR TRADITION™

INSTALLATION (WALL MOUNTING)

Figure 4



Step 4A *Screw the cold and hot water hose from the shower panel to the supply lines in the wall.*

Step 4B *Carefully hang the shower panel on the secured mounting brackets as shown in Figure 4.*

PERFECTION IS OUR TRADITION™

CARE AND MAINTENANCE

ANZZI™ products are crafted with superior quality standards and workmanship and are engineered to stand the test of time. However, that does not mean the product can be neglected and will need some care and cleaning.

It is recommended to use regular soap and hot water along with a non-abrasive cloth or sponge to regularly clean the product. This avoids any nasty build up or deposits which would be tougher to remove.

If you feel the use of stronger cleaning solutions or chemicals is necessary always test the cleaning solution or chemical on an inconspicuous area before applying to the entire surface.

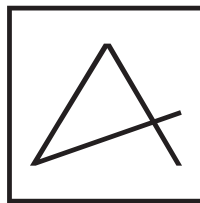
Wipe all surfaces clean and rinse completely with water immediately after applying cleaner. Rinse and dry any overspray that lands on nearby surfaces.

DO NOT ALLOW THE CLEANER TO SOAK.

Following these simple principles will ensure your ANZZI™ product will remain as lustrous and stunning as the day it was first received. ENJOY!

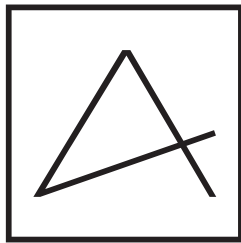
Sincerely,

La Familia ANZZI™



ANZZI™

Perfection is our Tradition™



ANZZI™

Perfection is our Tradition™