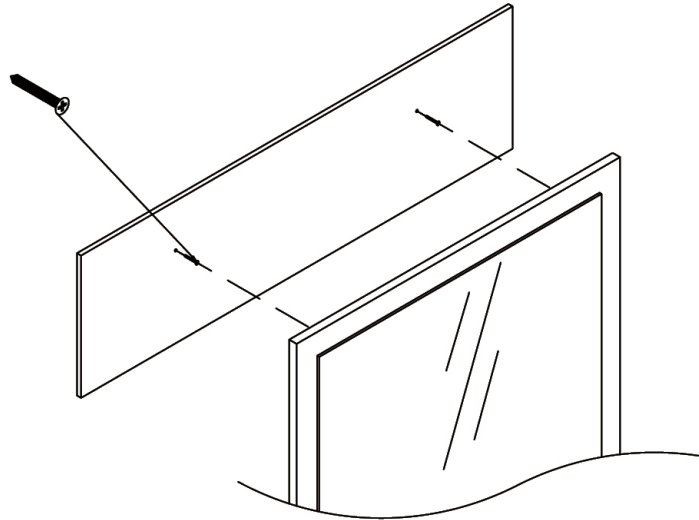


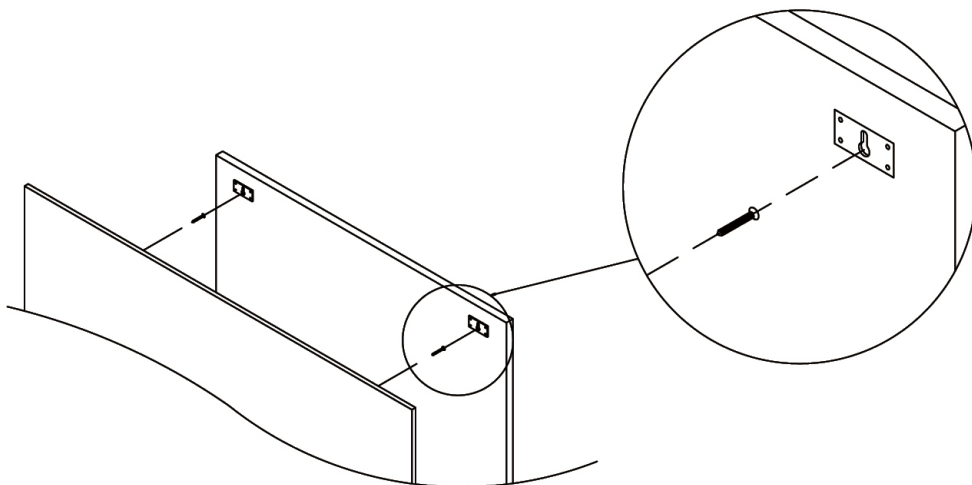


## Mirror Hanging Instructions



### Keyhole Style Mirror Hangers

These heavy-duty hangers ship pre-attached to the back side of the James Martin Mirrors.



### IMPORTANT NOTE:

James Martin Vanities Company always recommends you consult and/or hire a professional contractor when installing your Mirror