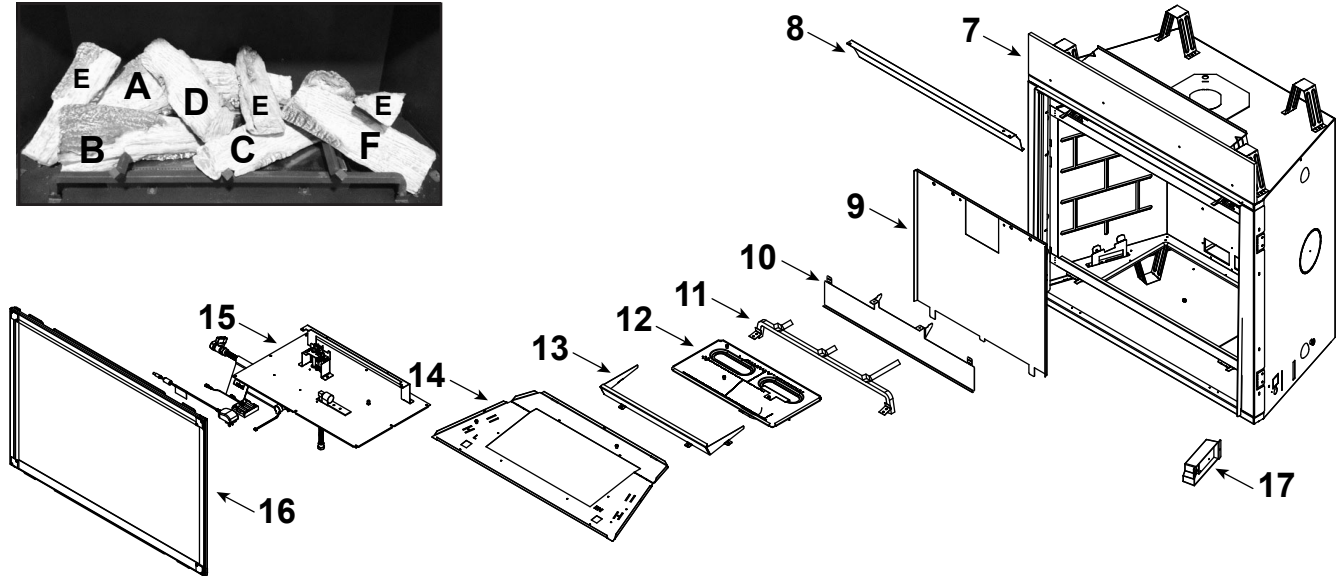
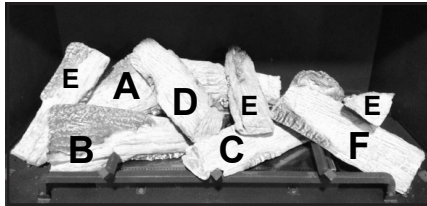




Log Set Assembly



IMPORTANT: THIS IS DATED INFORMATION. Parts must be ordered from a dealer or distributor. **Hearth and Home Technologies does not sell directly to consumers.** Provide model number and serial number when requesting service parts from your dealer or distributor.

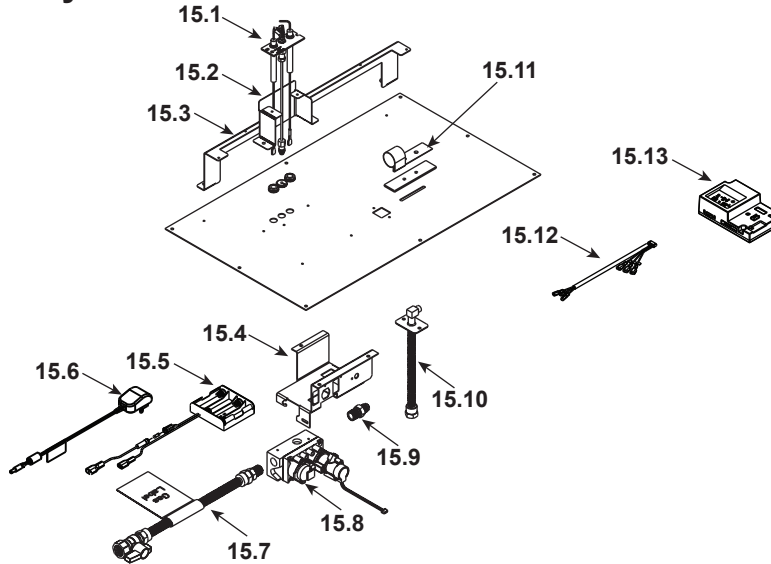


Stocked at Depot

ITEM	DESCRIPTION	COMMENTS	PART NUMBER	
	Log Assembly		LOGSDBDV42	Y
1	Log A		SRV2397-701	
2	Log B		SRV2397-702	
3	Log C		SRV2397-703	
4	Log D		SRV2397-704	
5	Log E	Qty 3 req	SRV2397-705	
6	Log F		SRV2397-706	
7	Insulation Board		2170-136	
8	Glass Heat Shield		2210-723	
9	False Back		2398-720	
10	Exhaust Baffle		2507-110	
11	Grate Assembly		2398-015	
12	Burner Assembly		2398-007	Y
13	Burner Skirt		SRV2208-102-BK	
14	Base Pan Assembly		2398-024	
15	Valve Assembly	<b>Refer to valve page</b>		
16	Glass Assembly		GLA-950TR	Y
17	Junction Box (Plastic)		SRV4021-013	Y



#15 Valve Assembly



IMPORTANT: THIS IS DATED INFORMATION. Parts must be ordered from a dealer or distributor. **Hearth and Home Technologies does not sell directly to consumers.** Provide model number and serial number when requesting service parts from your dealer or distributor.



Stocked at Depot

ITEM	DESCRIPTION	COMMENTS	PART NUMBER	Stocked at Depot
15.1	Pilot Assembly - <b>NG</b>		2397-012	Y
	Pilot Assembly - <b>Propane</b>		2397-013	Y
	Pilot Tube		SRV485-301	Y
15.2	Pilot Bracket		2208-101	
15.3	Burner Leg		2208-106	
15.4	Valve Bracket		2118-104	
15.5	Battery Pack**		SRV2326-134	Y
15.6	Power Supply		SRV2326-131	Y
15.7	Flex Ball Valve Assembly		SRV302-320	Y
15.8	Valve - <b>NG</b>		SRV2166-302	Y
	Valve - <b>Propane</b>		2166-303	Y
15.9	Male Connector	Pkg of 5	303-315/5	Y
15.10	Bulkhead w/ Flex		SRV7000-156	Y
15.11	Shutter Bracket Assembly		2118-121	Y
15.12	Harness, IFT 6 Pin Wiring		SRV2326-132	Y
15.13	Module, IFT Control		SRV2326-130	Y
	Orifice (#33) - <b>NG</b>		582-833	Y
	Orifice (#51) - <b>Propane</b>		SRV582-851	Y

\*\*Fuse for battery pack can be sourced locally, not a warranty item. Specs are 250v, 3A fuse, 3/4" long

Additional service part numbers appear on following page.

