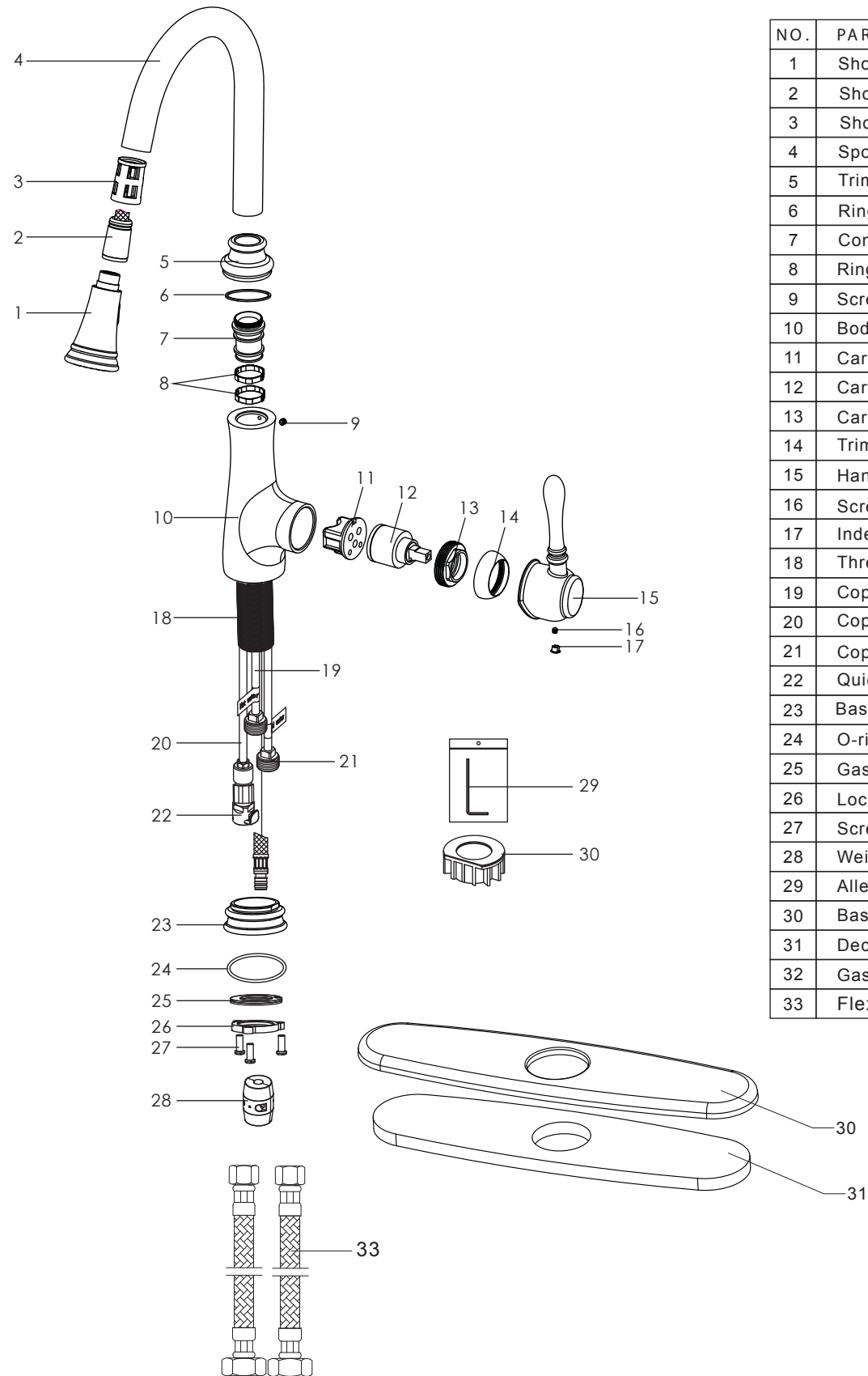
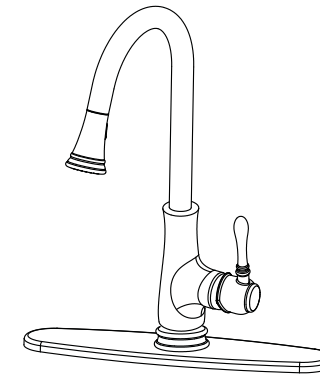


Step 4 Parts list



NO.	PARTNAME
1	Shower
2	Shower hose
3	Shower sleeve
4	Spout
5	Trim cap
6	Ring
7	Connector
8	Ring
9	Screw
10	Body
11	Cartridge base
12	Cartridge
13	Cartridge locknut
14	Trim cap
15	Handle
16	Screw
17	Index
18	Threaded shank
19	Copper tube(hot water)
20	Copper tube
21	Copper tube(cold water)
22	Quick connect
23	Base
24	O-ring
25	Gasket assembly
26	Lock nut
27	Screw
28	Weight
29	Allen key
30	Base
31	Deck plate
32	Gasket
33	Flexible hose

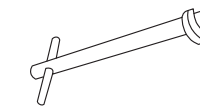


SINGLE HANDLE KITCHEN FAUCET

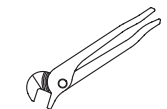


ASME A112.18.1/CSA B125.1

RECOMMENDED TOOLS



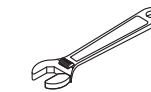
Basin wrench



Channel Locks



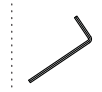
Goggles



Adjustable Wrench



Teflon tape



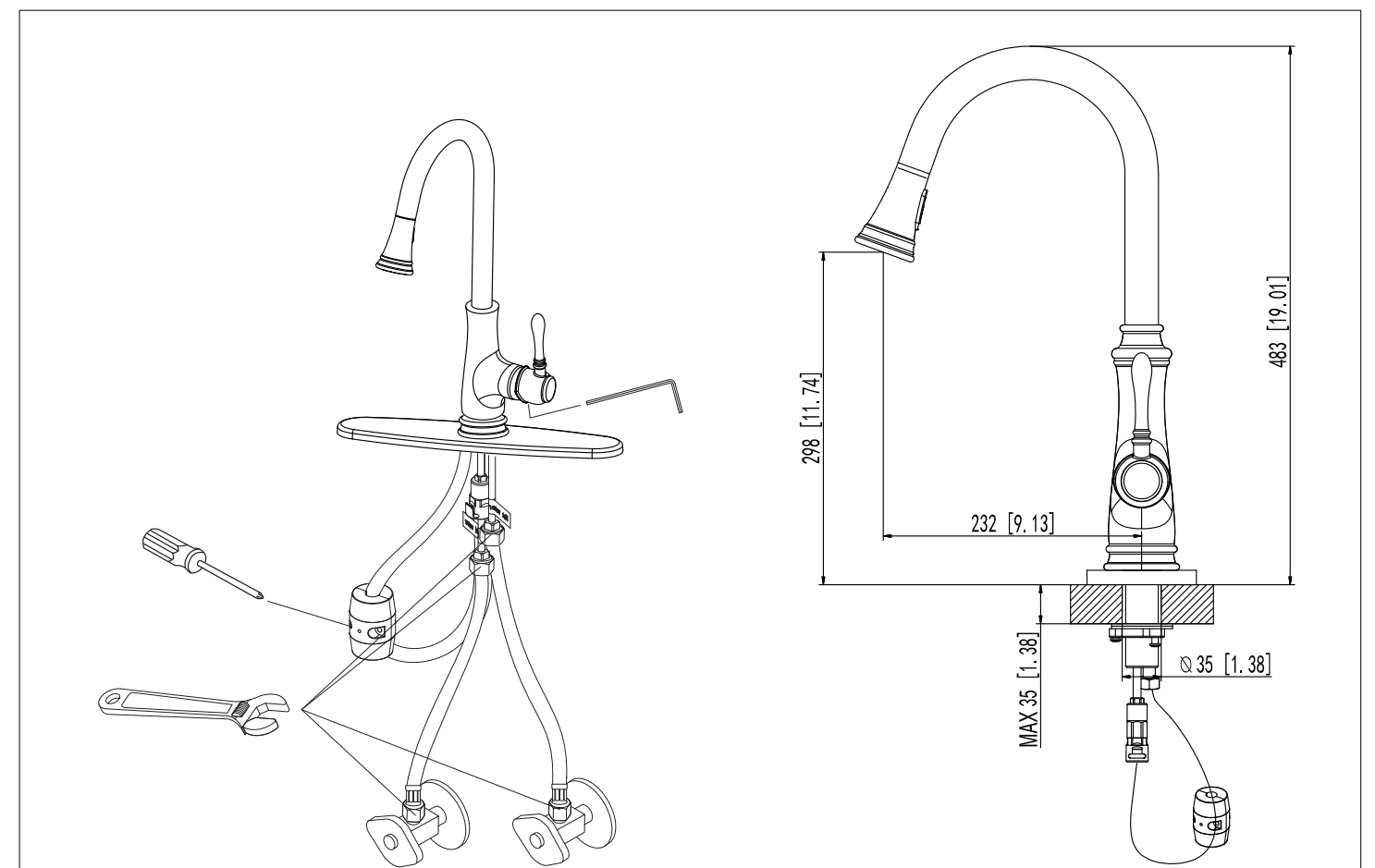
Allen key

WARNING:
Please keep the tool for future use!

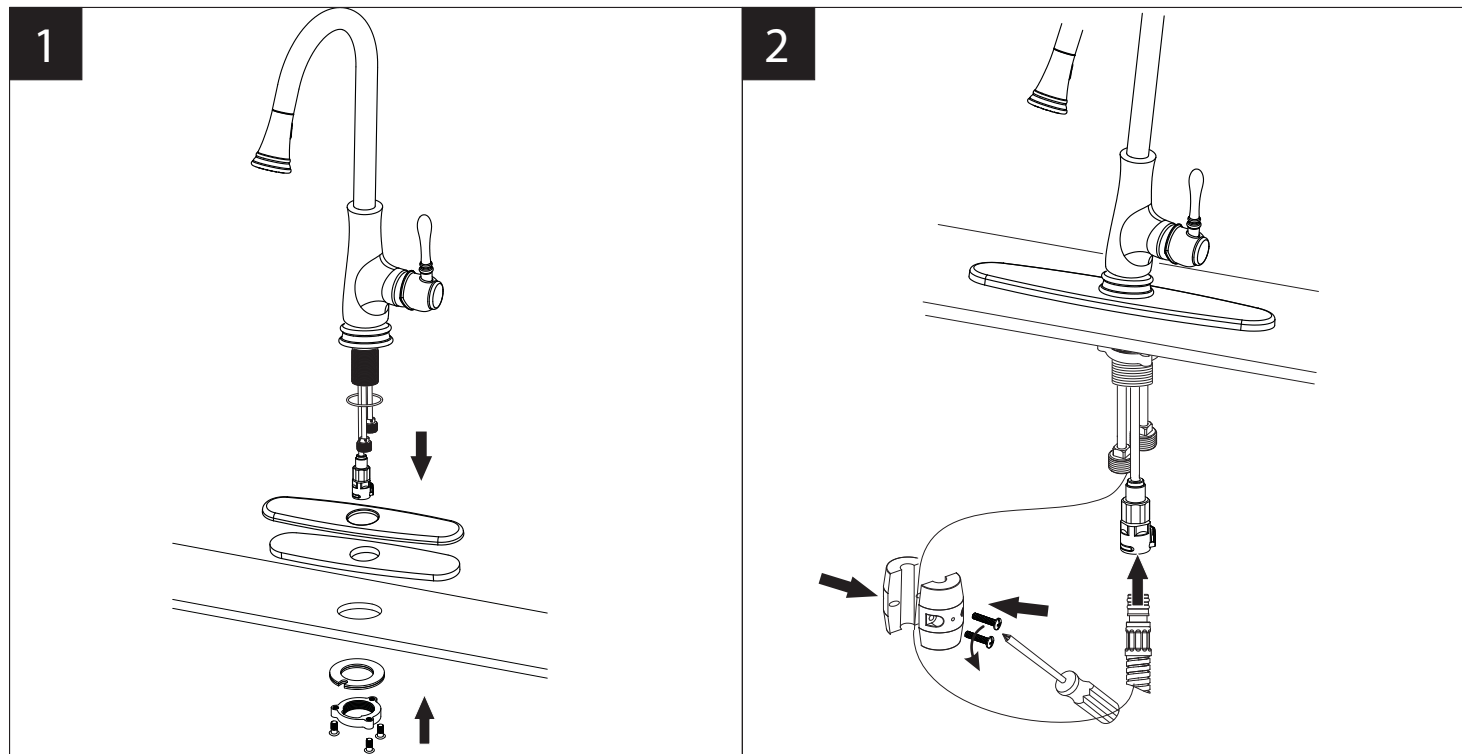


Attention:
for easy installation, you will need:
1. To read all the installation instructions completely before beginning.
2. To read all the warning, attention and maintenance information.
3. To purchase the proper supply lines.

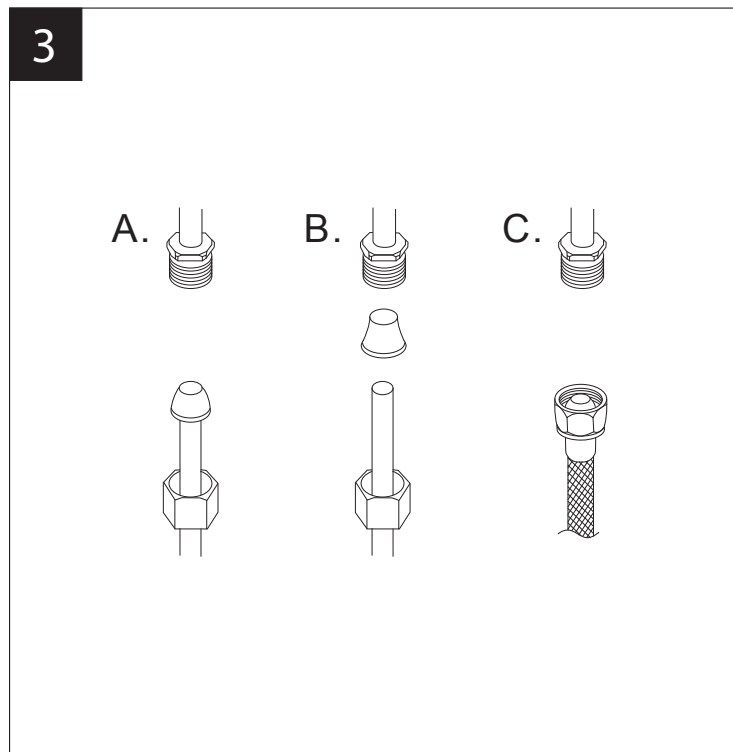
The tools might be applied to the following places:



Step 1 Faucet installation

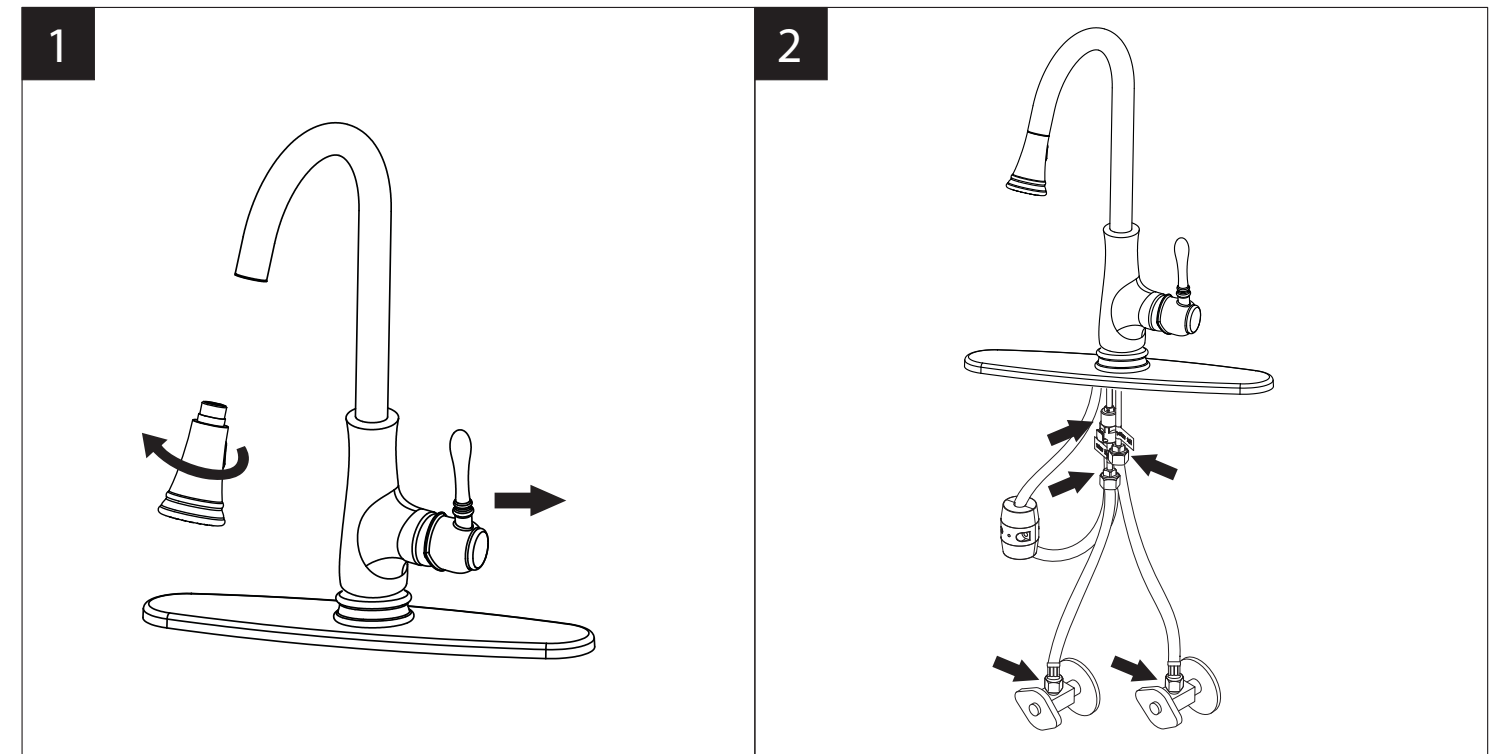


1. Position the faucet, deck plate and gasket in order on the counter top as shown. Don't forget the O-ring. Assemble gasket assembly and lock nut to faucet threaded sleeve by hand and tighten the screws with screwdriver.
2. Connect the shower hose to quick connect. CAUTION: MAKE SURE THE HOSE IS PROPERLY ENGAGED AND SECURED IN THE QUICK CONNECT. Dis-assemble the weight and put it on the shower hose. Then fix screws by screw driver.



3. Connect to water supply lines with either:
 - (A) 3/8" O.D. Copper tubing (ball nose risers with the coupling nuts) or;
 - (B) 3/8" Copper tubing (no ball) with supplied tube head interior connector or;
 - (C) IPS faucet connectors (1/2").

Step 2 Checking and testing



1. Remove the shower by hand. Turn the faucet handle all the way on, turn on hot and cold water supply and flush water lines for one minute. Reinstall shower by hand.
2. Check all connections at arrows for leaks, re-tighten it if necessary.

!
BUT DON'T OVERTIGHTEN

Step 3 Cleaning and care

Daily cleaning and care are required in order to keep the product shining and properly working.

- 1 Clean it with water and dry it with soft cloth.
- 2 Clean the product with gentle liquid or glass cleaner.
- 3 Don't use acid cleaner.
- 4 Don't clean with abrasive material, abrasive paper or knife.