

FORTÉ

Installation Manual

24 Inch Stainless Steel Dishwasher

F24DWS250SS

CONTENT

IMPORTANT SAFETY INSTRUCTIONS.....	2
INSTALLATION PREPARATION	5
PREPARE DISHWASHER.....	5
PREPARE AND ROUTE THE ELECTRICAL SUPPLY.....	7
PREPARE HOT WATER LINE AND POWER CORD HOLE.....	8
INSTALLATION.....	9
PREPARE HOT WATER LINE AND POWER CORD HOLE.....	9
STEP 1 - HANDLEBAR ASSEMBLY.....	10
STEP 2 - CHECK DOOR BALANCE.....	10
STEP 3 - INSERT DRAIN HOSE AND POWER CORD THROUGH CABINET.....	11
STEP 4 - SLIDE DISHWASHER PARTIALLY INTO CABINET.....	11
STEP 5 - POSITION DISHWASHER UNDER COUNTERTOP.....	12
STEP 6 - LEVEL DISHWASHER.....	12
STEP 7 - FIXATION OF DISHWASHER.....	13
STEP 8 - CONNECT DRAIN LINE.....	14
STEP 9 - CONNECT POWER SUPPLY.....	15
STEP 10 - PRE-TEST CHECKLIST.....	16
STEP 11 - DISHWASHER WET TEST.....	17
STEP 12 - LITERATURE.....	17

IMPORTANT SAFETY INSTRUCTIONS

BEFORE YOU BEGIN

Please read these instructions completely and carefully.

IMPORTANT— Observe all governing codes and ordinances.

- Note to Installer - Be sure to leave these instructions for the consumer's and local inspector's use.
- Note to Consumer - Keep these instructions with your Owner's Manual for future reference.
- Skill Level - Installation of this dishwasher requires basic mechanical and electrical skills. Proper installation is the responsibility of the installer. Product failure due to improper installation is not covered under the Appliance Warranty.

IMPORTANT— The dishwasher must be installed to allow for future removal from the enclosure if service is required. If you received a damaged dishwasher, you should immediately contact your dealer or builder.

FOR YOUR SAFETY

Read and observe all CAUTIONS and WARNINGS shown throughout these instructions. While performing installations described in this booklet, gloves, safety glasses or goggles should be worn.

⚠ WARNING



Electrical Shock Hazard

To reduce the risk of electrical shock, fire, or injury to persons, the installer must ensure that the dishwasher is completely enclosed at the time of installation.

IMPORTANT SAFETY INSTRUCTIONS

INSTALLATION REQUIREMENTS

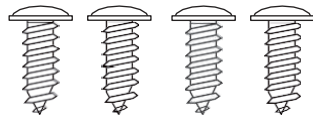
INSTALLATION REQUIREMENTS

TOOLS AND PARTS

Gather the required tools and parts before starting installation.

PARTS SUPPLIED

- Four #8 Phillips flat head wood screws, 5/8" long to secure dishwasher to underside of countertop (in literature package).



4- ST4*26

Materials you will need:

- Thread seal tape
- One 1-1/2" - 2" screw type clamp for connecting to waste-tee



Thread Seal Tape



Screw Type house Clamps

Materials for New Installations Only:

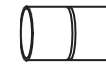
- Waste tee for house plumbing, if applicable
- Hand shut-off valve
- Coupler for extending drain line, if applicable



Waste Tee



Hand Shut-Off Valve



Coupler

Tools you will need:

- Phillips head screwdriver
- 6" Adjustable wrench
- Level
- Carpenters square
- Measuring tape
- Flashlight



Phillips Head Screwdriver



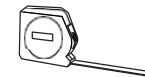
6" Adjustable Wrench



Carpenters Square



Level



Measuring Tape

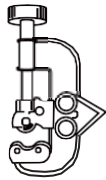


Flashlight

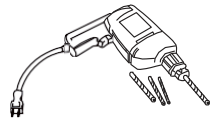
INSTALLATION REQUIREMENTS

For New Installations Only:

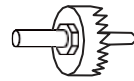
- Tubing cutter
- Drill and appropriate bits
- Hole saw set



Tubing Cutter



Drill and Bits



Hole Saw Set

INSTALLATION PREPARATION

DRAIN PREPARATION

The type of drain installation depends on answers to the following questions:

- Do local codes or ordinances require an air gap?
- Will waste tee or disposer connection be less than 18" above the floor?
- Will installation have a drain loop less than 32" above floor?

If the answer to ANY of the 3 questions above is YES, Method 1 MUST be used. Otherwise either Method 1 or Method 2 may be used. Figure C or Figure D.

⚠ CAUTION:

An air gap MUST BE USED if the drain hose is connected to waste tee or disposer lower than 18" above the floor. Failure to provide the proper drain connection height with air gap or 32" minimum, high drain loop will result in improper draining of the dishwasher.

Method 1 -Air Gap with Waste Tee or Disposer

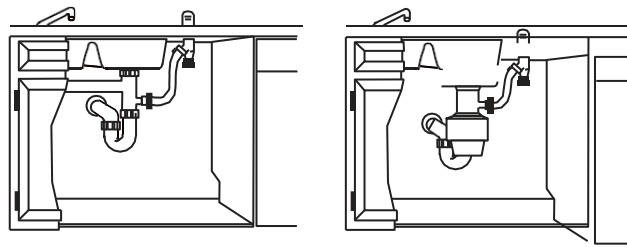


Figure B

Method 2 -High Drain with Waste Tee or Disposer Provide a method to attach drain hose to underside of countertop.

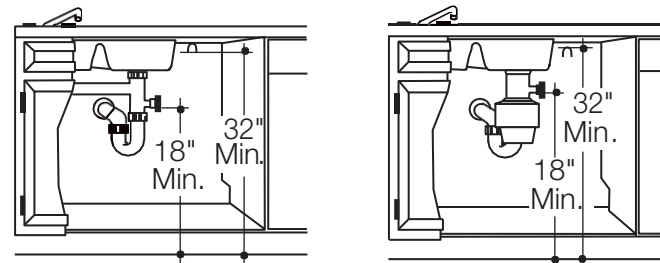


Figure C

Install waste tee or disposer and air gap according to manufacturer's instructions.

CABINET PREPARATION

- Drill a 1-1.5" dia. hole in the cabinet wall within the shaded areas shown in Figure A for the drain hose connection. The hole should be smooth with no sharp edges.

INSTALLATION PREPARATION

PREPARE AND ROUTE THE ELECTRICAL SUPPLY

You Must Have:

- 120-volt, 60Hz, AC-only, 12-amp, fused electrical supply.

We Recommend:

- A time-delay fuse or circuit breaker.
- A separate circuit.

Connecting Dishwasher with A Power Cord:

Power cord must plug into a grounded 3 prong outlet, located in the cabinet next to the dishwasher opening. Outlet must meet all local codes and ordinances.

⚠ WARNING



Electrical Shock Hazard

The improper connection of the equipment grounding conductor can result in a risk of electric shock. Check with a qualified electrician or service representative if you are in doubt that the appliance is properly grounded.

NOTE: A grounded 3 prong outlet is required inside a cabinet next to the dishwasher cabinet opening.

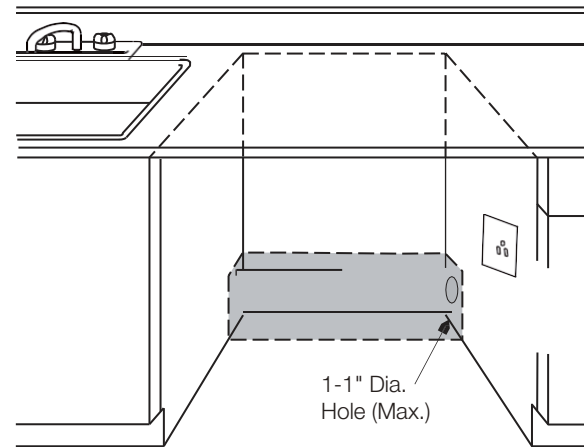


Figure E

Electrical Connection to Dishwasher

Electrical connection is on the right front of dishwasher.

- For power cord connections, install a 3-prong grounding type receptacle. The power-supply receptacle for the appliance shall be installed in a cabinet or on a wall adjacent to the undercounter space in which the appliance is to be installed.

INSTALLATION PREPARATION

PREPARE HOT WATER LINE AND POWER

CORD HOLE

- The line may enter from either side, rear or floor within the shaded area shown in Figure F.
- Each cut an additional 1-4/5" dia. hole to accommodate the water line and the power cord.

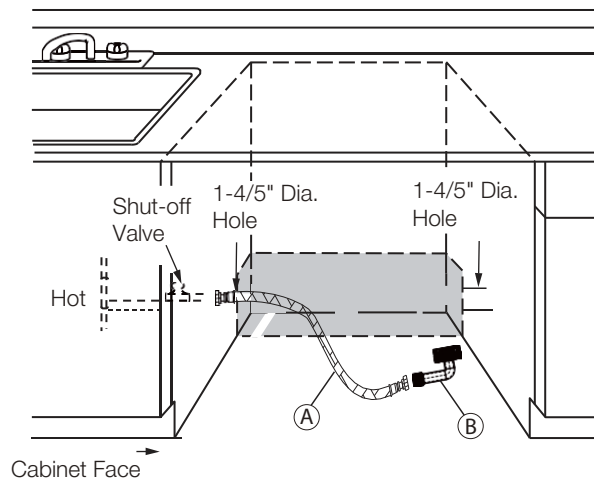


Figure F

Water Line Connection

- Turn off the water supply.
- Install a hand shut-off valve in an accessible location, such as under the sink. (Optional, but strongly recommended and may be required by local codes.)
- Connect one end of inlet line(a) to the 3/4-inch FHT(b) and connect to the dishwasher.
Run the other end of the inlet line through the hole in the cabinet. If the shut-off valve is 3/8 inch I.D, the inlet line can be directly connected to the shut-off valve.
- Adjust water heater for 120°F to 150 °F temperature.
- Flush water line to clean out debris.
- The hot water supply line pressure must be 6-145 PSI.

INSTALLATION

PREPARE HOT WATER LINE AND POWER CORD HOLE

- The line may enter from either side, rear or floor within the shaded area shown in Figure F.
- Each cut an additional 1-4/5" dia. hole to accommodate the water line and the power cord.

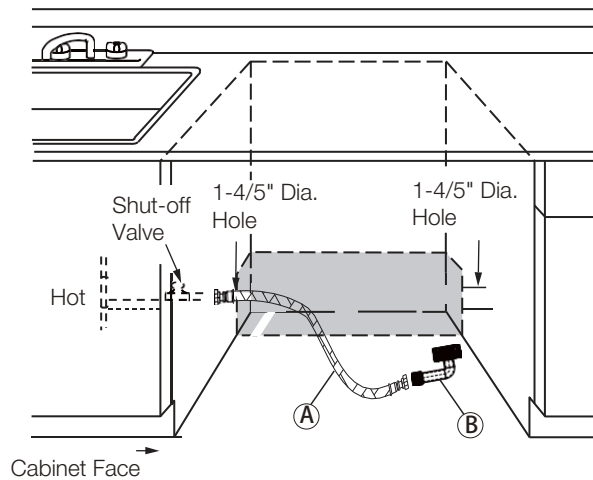
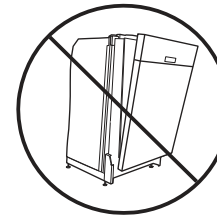


Figure F

Water Line Connection

- Turn off the water supply.
- Install a hand shut-off valve in an accessible location, such as under the sink. (Optional, but strongly recommended and may be required by local codes.)
- Connect one end of inlet line(a) to the 3/4-inch FHT(b) and connect to the dishwasher.
Run the other end of the inlet line through the hole in the cabinet. If the shut-off valve is 3/8 inch I.D, the inlet line can be directly connected to the shut-off valve.
- Adjust water heater for 120°F to 150 °F temperature. Flush water line to clean out debris.
- The hot water supply line pressure must be 6-145 PSI.

⚠ CAUTION:



Opening the door will cause the dishwasher to tip forward. Do not open the door until you are ready to install the dishwasher. If it is necessary to open the door, hold the top of the dishwasher securely with one hand and hold the door with the other hand.

INSTALLATION



BEFORE YOU BEGIN

STEP 1 - HANDLEBAR ASSEMBLY

Use a hex wrench to install the outside door handle,
※ This step is only applicable to the F24DWS250SS model.

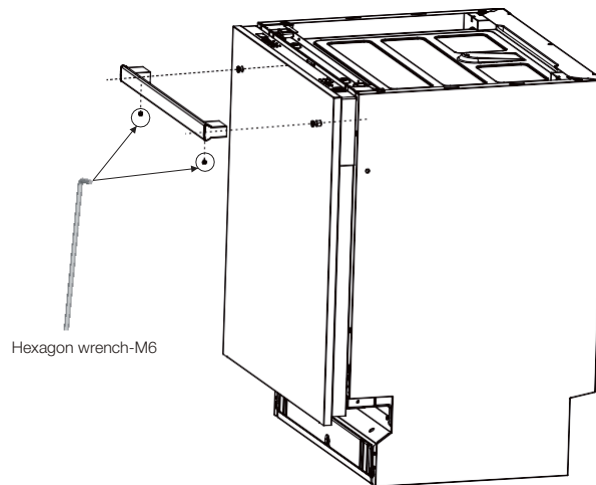


Figure G

STEP 2 - CHECK DOOR BALANCE

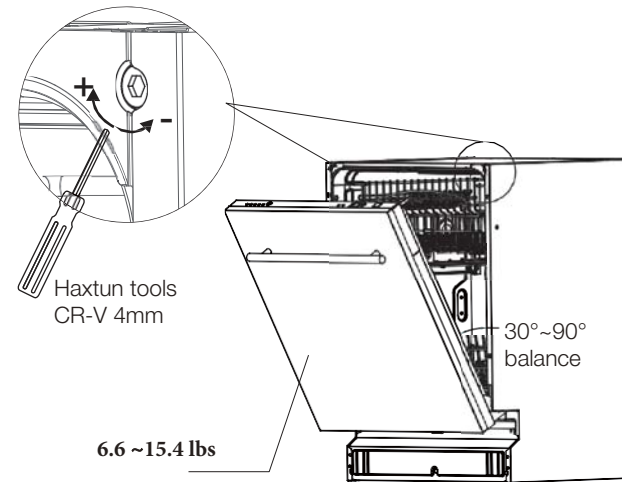


Figure H

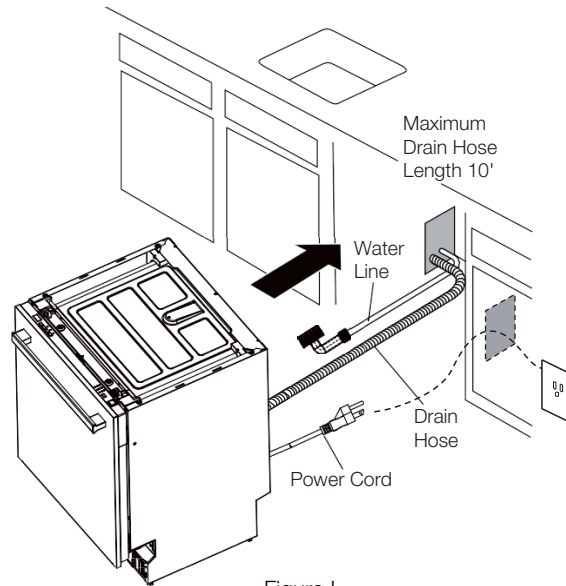
- After placed the panel on the dishwasher, please try open and close the door to test the balance to check out whether the door can remain a same place. If not, please adjusting the screw in the direction of clockwise or counterclockwise to
※ This step is only applicable to the F24DWS250SS model.

INSTALLATION

INSTALLATION

INSTALLATION

STEP 3 - INSERT DRAIN HOSE AND POWER CORD THROUGH CABINET



- Insert drain hose into cabinet wall hole.
- Insert the power cord into another cabinet wall hole.

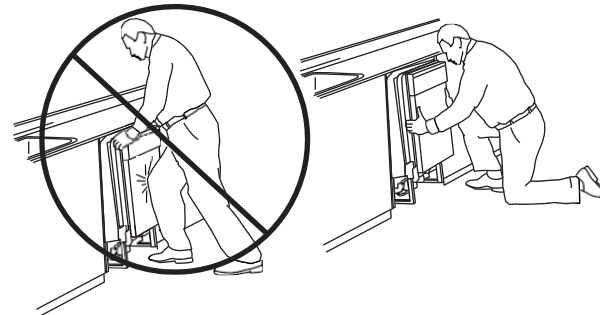
TIP: Position water line and house wiring on the floor to avoid interference with base of dishwasher.

11

STEP 4 - SLIDE DISHWASHER PARTIALLY INTO CABINET

DO NOT PUSH AGAINST FRONT PANEL WITH KNEES. DAMAGE WILL OCCUR.

- Slide dishwasher into the opening a few inches at a time.



Do Not Push Against Front Door Panel with Knee. Damage to The Door Panel Will Occur.

- As you proceed, pull the drain hose through the opening under the sink. Stop pushing when the dishwasher is a few inches forward of adjacent cabinetry.
- Make sure drain hose is not kinked under the dishwasher and there is no interference with the water line and wiring or any other component.

INSTALLATION

STEP 5 - POSITION DISHWASHER UNDER COUNTERTOP

- Check to be sure that wires are secure under the dishwasher and not pinched or in contact with other dishwasher components.
- Push dishwasher into cabinet. The front corners of the dishwasher door should be flush with cabinet doors. Be careful not to dent front panels with knees or damage countertop or cabinets with dishwasher parts.

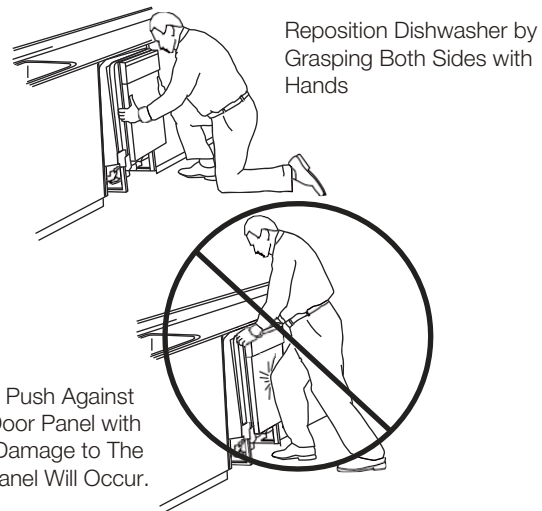


Figure P

STEP 6 - LEVEL DISHWASHER

IMPORTANT:

- Dishwasher must be level for proper dish rack operation and wash performance.
- Place level on door and rack track inside the tub as shown to check that the dishwasher is level.

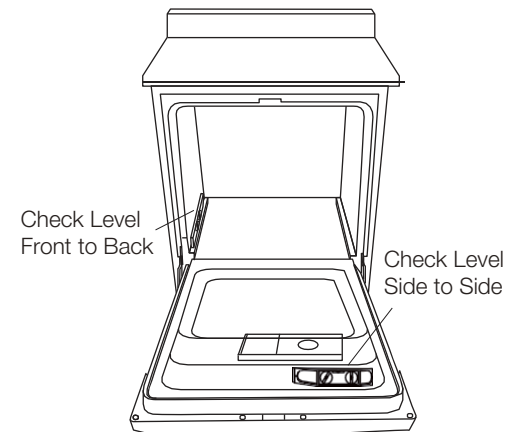


Figure Q

INSTALLATION

INSTALLATION

- Adjust the height by turning the feet to make sure the dishwasher is level.

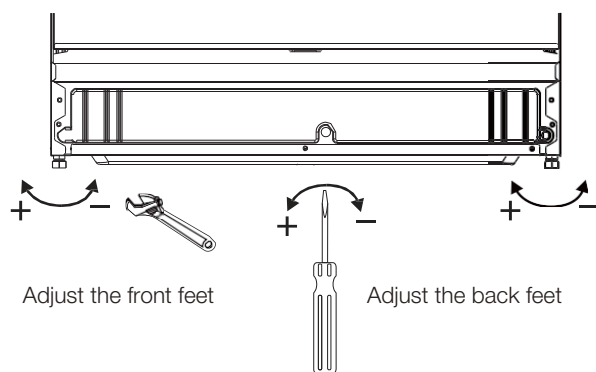


Figure J

TIP: Pull lower rack out, about halfway. Check to be sure the rack does not roll forward or back into dishwasher. If the rack rolls in either direction, the dishwasher must be leveled again.

- Adjust the height by turning the feet to make sure the dishwasher is level.

STEP 7 - FIXATION OF DISHWASHER

1. Fixing the dishwasher with the cabinet by turning the screws.
2. Plug the four hole plugs into the holes in the sketch map.

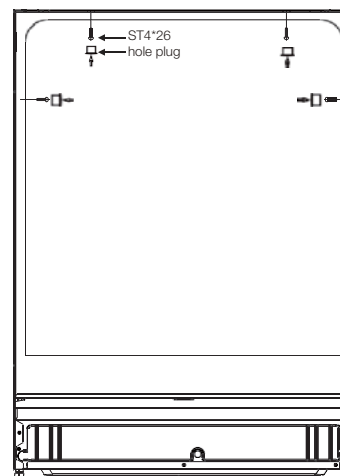


Figure K

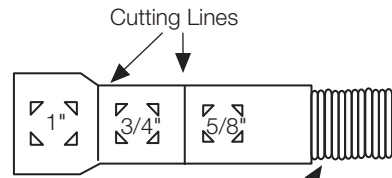
Dishwasher liner right and left side and the top 4 holes, use wood screws ST4*26 dishwasher fixed on the cabinet. (self-tapping screws were matching)

INSTALLATION

STEP 8 - CONNECT DRAIN LINE

FOLLOW ALL LOCAL CODES AND ORDINANCES.

The drain hose molded end will fit 5/8" 3/4" or 1" diameter connections on the air gap, waste tee or disposer. Cut on the marked line as required for your installation.



IMPORTANT: Do not cut corrugated portion of hose

Figure L

- If a longer drain hose is required, add up to 42" of length for a total of 10 ft. to the factory installed hose. Use 5/8" or 7/8" inside diameter hose and a coupler to connect the two hose ends. Secure the connection with hose clamps.

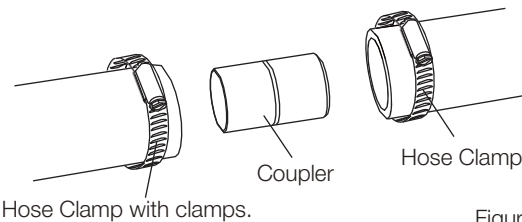


Figure N

NOTE: TOTAL DRAIN HOSE LENGTH MUST NOT EXCEED 10 FEET FOR PROPER DRAIN OPERATION.

Water Line Connection

- Connect drain line to air gap, waste tee or disposer using either previously determined method.

Method 1 - Air gap with waste tee or disposer

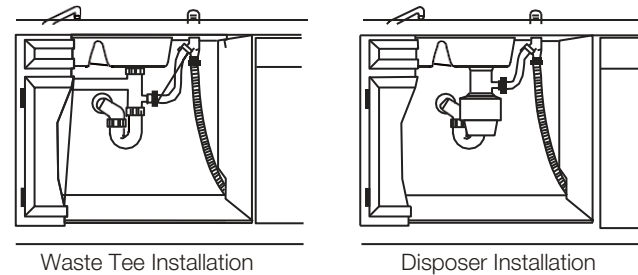


Figure M

Method 2 - High drain loop with waste tee or disposer

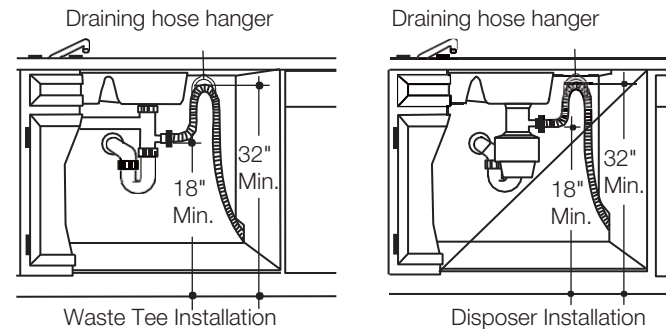


Figure O

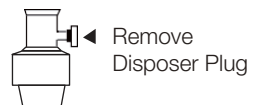
INSTALLATION

INSTALLATION

IMPORTANT:

When connecting drain line to disposer, check to be sure that drain plug has been removed.

DISHWASHER WILL NOT DRAIN IF PLUG IS LEFT IN PLACE.



TIP: Avoid unnecessary service call charges. Always be sure disposer drain plug has been removed before attaching dishwasher drain hose to the disposer.

STEP 9 - CONNECT POWER SUPPLY

Power supply cord-Plug into a grounded 3 prong outlet.

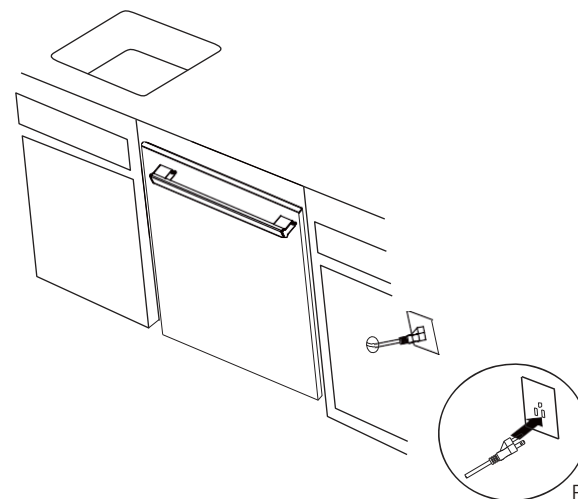


Figure O

- Plug into a grounded 3 prong outlet.
- Make sure the socket is compatible with the plug of the appliance, the socket must have earthing wire, and can hold 120V/13A, otherwise damage or accident may occur. Other electric appliance with big power cannot use the same socket with the dishwasher.

INSTALLATION

⚠ WARNING



Electrical Shock Hazard

Plug into a grounded 3 prong outlet. Do not remove ground prong.

Do not use an adapter.

Do not use an extension cord. Failure to follow these instructions can result in death, fire, or electrical shock.

STEP 10 - PRE-TEST CHECKLIST

Review this list after installing your dishwasher to avoid charges for a service call that is not covered by your warranty.

- Check to be sure power is OFF.
- Open door and remove all foam and paper packaging.
- Locate the Owner's Manual in the literature package.
- Read the Owner's Manual for operating instructions.
- Check door opening and closing. If door does not open and close freely or tends to fall, check spring adjustments.
- Check to be sure that wiring is secure under the dishwasher, not pinched or in contact with other components.
- Check door alignment with tub. If door hits tub, level dishwasher.
- Pull lower rack out, about halfway. Check to be sure it does not roll back or forward on the door. If the rack moves, adjust leveling legs.
- Check door alignment with cabinet. If door hits cabinet, reposition or relevel dishwasher.
- Verify water supply and drain lines are not kinked or in contact with other components. Contact with dishwasher frame could cause noise.
- Turn on the sink hot water faucet and verify water temperature. Incoming water temperature must be between 120°F and 150°F. A minimum of 120°F temperature is required for best wash performance.
- Turn on water supply. Check for leaks. Tighten connections if needed.

INSTALLATION

STEP 11 - DISHWASHER WET TEST

- Plug power cord into outlet.
- Power on and select Rinse Wash program.
- Close door and press the start buttons.
- Check to be sure that water enters the dishwasher. If water does not enter the dishwasher, check to be sure that water and power are turned on.
- Check for leaks under the dishwasher. If a leak is found, turn power supply off, then tighten connections. Restore power after leak is corrected.
- Check for leaks around the door. A leak around the door could be caused by door rubbing or hitting against adjacent cabinetry. Reposition the dishwasher if necessary.
- The dishwasher will drain and turn off about 10 to 12 minutes after the first fill. Check drain lines. If leaks are found, turn power off at the breaker and correct plumbing as necessary. Restore power after corrections are made.
- Open dishwasher door and make sure most of the water has drained. If not, check drain line for kinking.
- Run the dishwasher through another fill and drain cycle. Check for leaks and correct if required.
- At the end of drain, open door and Select power off button.

STEP 12 - LITERATURE

Be sure to leave complete literature package and installation instructions with consumer.