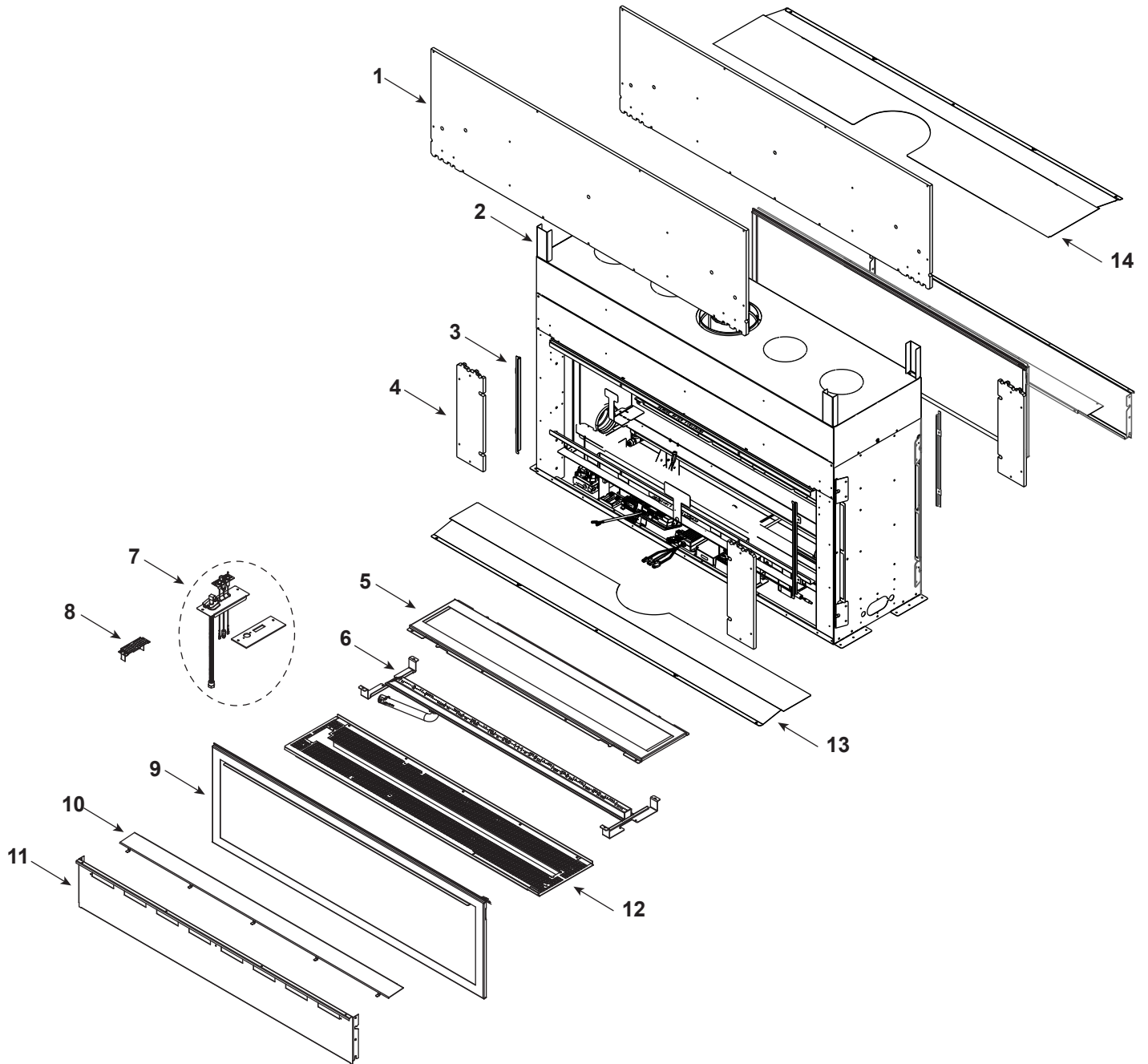




Echelon 48" See Through Gas Fireplace - DV



Part number list on following page.



## Service Parts

# ECHEL48STIN-C

Beginning Manufacturing Date: Aug 2019  
Ending Manufacturing Date: Active

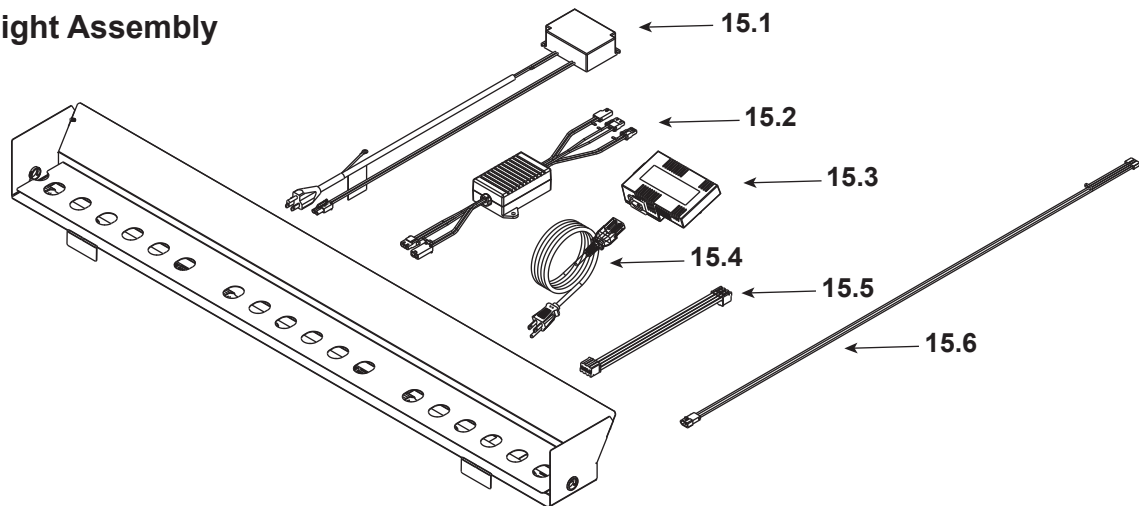
**IMPORTANT: THIS IS DATED INFORMATION.** Parts must be ordered from a dealer or distributor. **Hearth and Home Technologies does not sell directly to consumers.** Provide model number and serial number when requesting service parts from your dealer or distributor.



**Stocked  
at Depot**

| ITEM | DESCRIPTION                 | COMMENTS  | PART NUMBER               |   |
|------|-----------------------------|-----------|---------------------------|---|
| 1    | Non-combustible Board, Top  | Qty 2 req | SRV2300-460               |   |
| 2    | Standoff, Top               | Qty 4 req | 2602-283                  |   |
| 3    | Side Trim                   | Qty 4 req | 2300-281                  |   |
| 4    | Non-combustible Board, Side | Qty 4 req | 2300-461                  |   |
| 5    | Bottom Glass                |           | 2300-018                  |   |
| 6    | Burner                      |           | 2408-007                  | Y |
| 7    | Pilot Assembly              |           | <b>See Following Page</b> |   |
| 8    | Shield, Pilot               |           | 2406-196                  |   |
| 9    | Glass Assembly              | Qty 2 req | GLA-48-MAJ                |   |
| 10   | Shield, Bottom Glass w/vent |           | 2300-179                  |   |
|      | Shield, Bottom Glass        |           | 2301-179                  |   |
| 11   | Panel, Bottom w/vent        |           | 2300-147                  |   |
|      | Panel, Bottom               |           | 2301-147                  |   |
| 12   | Rock Tray                   |           | 2409-059                  |   |
| 13   | Heat Shield, Front          |           | 2603-150                  |   |
| 14   | Heat Shield, Rear           |           | 2603-151                  |   |

### #15 LED Light Assembly



|      |                         |  |             |   |
|------|-------------------------|--|-------------|---|
| 15   | LED Light Assembly      |  | ALK-48-C    |   |
| 15.1 | Power Supply, LED 40W   |  | 2326-113    | Y |
| 15.2 | LED Dimmer              |  | 2326-112    | Y |
| 15.3 | Module, B Type AC       |  | SRV2326-150 | Y |
| 15.4 | Cable, B Type AC Module |  | SRV2326-152 | Y |
| 15.5 | LED Lightbar Connection |  | 2300-753    | Y |
| 15.6 | Cable, Linear LED       |  | 2300-754    | Y |

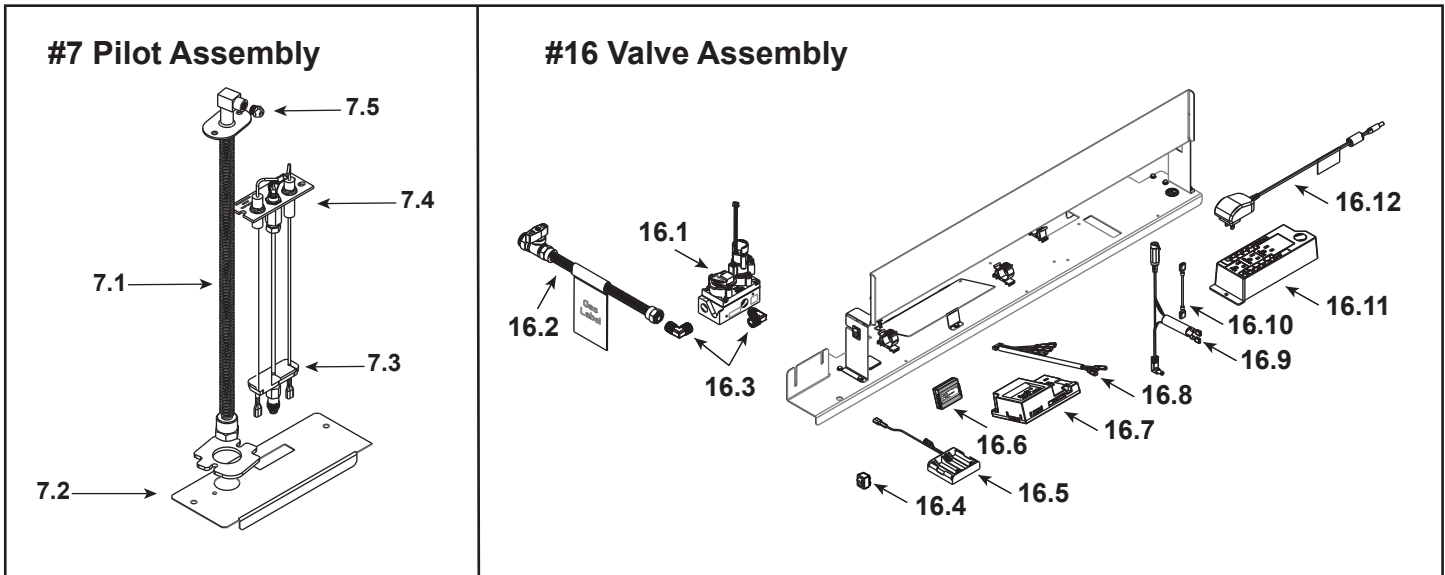
Additional service part numbers on following page.



## Service Parts

# ECHEL48STIN-C

Beginning Manufacturing Date: Aug 2019  
Ending Manufacturing Date: Active



IMPORTANT: THIS IS DATED INFORMATION. Parts must be ordered from a dealer or distributor. **Hearth and Home Technologies does not sell directly to consumers.** Provide model number and serial number when requesting service parts from your dealer or distributor.



Stocked at Depot

| ITEM  | DESCRIPTION              | COMMENTS                         | PART NUMBER |   |
|-------|--------------------------|----------------------------------|-------------|---|
| 7.1   | Bulkhead w/Flex tube     |                                  | 2166-119    | Y |
| 7.2   | Plate, Flex and Pilot    |                                  | 2300-163    |   |
| 7.3   | 3-Hole Grommet           |                                  | SRV2118-420 |   |
| 7.4   | Pilot Assembly, NG       |                                  | 2406-012    | Y |
|       | Pilot Assembly, Propane  | Convert 2406-012 with SRV593-527 |             | Y |
| 7.5   | Orifice, NG #.124        |                                  | 582-8124    | Y |
|       | Orifice, Propane #50C    |                                  | 582-850     | Y |
| 16.1  | Valve, NG                |                                  | SRV2166-302 | Y |
|       | Valve, Propane           |                                  | 2166-303    | Y |
| 16.2  | Flex Ball Valve Assembly |                                  | 302-323     | Y |
| 16.3  | Elbow                    | Qty 2 req                        | SRV4021-045 |   |
| 16.4  | Reset Switch             | Propane Only                     | 2206-298    | Y |
| 16.5  | Battery Pack**           |                                  | SRV2326-134 | Y |
| 16.6  | Module, RF               |                                  | SRV2326-120 | Y |
| 16.7  | Module, IFT Control      |                                  | SRV2326-130 | Y |
| 16.8  | Wire Harness             |                                  | SRV2326-132 | Y |
| 16.9  | Reset Switch Wire        | Propane Only                     | SRV2326-135 | Y |
| 16.10 | Jumper Wire, 2.5 inch    |                                  | 2155-033    | Y |
| 16.11 | Junction Box             |                                  | SRV4021-013 | Y |
| 16.12 | Transformer, 6 Volt Wall |                                  | SRV2326-131 | Y |
|       | Component Insulation     |                                  | 2604-102    | Y |

\*\*Fuse for battery pack can be sourced locally, not a warranty item. Specs are 250v, 3A fuse, 3/4" long

Additional service part numbers on following page.

