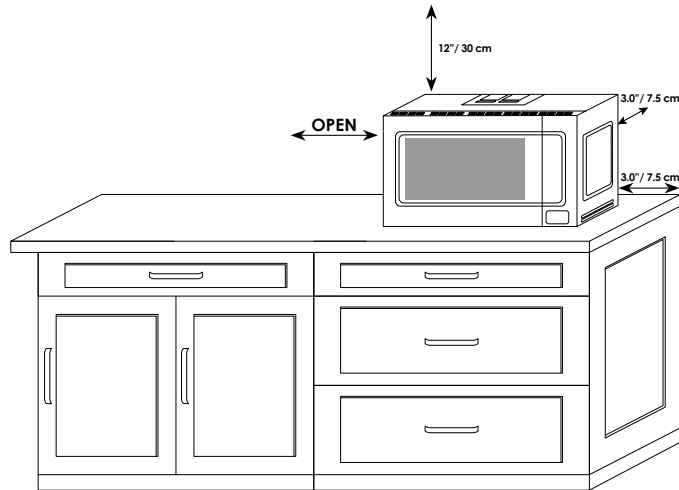


### DIMENSIONS AND INSTALLATION INFORMATION

#### Installation Instructions:

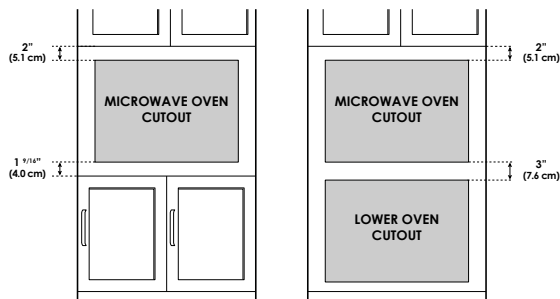
- Select a level surface which provides enough open space for the intake and/or outlet vents.
- A minimum clearance of 3.0 inches (7.5 cm) is required between the oven and all adjacent walls; one side must be open.
- Leave a minimum clearance of 12 inches (30 cm) above the oven.
- Do not remove the legs from the bottom of the microwave oven.
- Blocking the intake and/or outlet openings can damage the oven.
- Place the microwave oven as far away as possible from radios and television, as operation of the microwave oven may cause interference with the devices.
- Plug your microwave oven into a standard household outlet which matches the voltage and frequency on the rating label.

**Warning:** Do not install the microwave oven over a range cooktop or other heat-producing appliances, another heat source could damage the microwave oven, voiding your warranty.

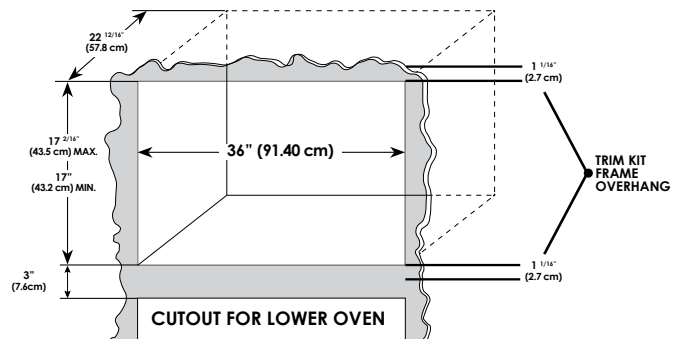


#### TRIM KIT LOCATION REQUIREMENTS

- The microwave oven may be installed over a built-in oven. If installing over a built-in oven, ensure there is a minimum of 3" (7.6 cm) between the top of the lower oven cutout and the microwave oven cutout floor.
- The microwave oven may also be installed in a cabinet without a built-in oven below. We recommend a minimum distance of 36" (91.4 cm) from the floor to the cutout floor.
- Ensure the surrounding cabinetry has clearance to open and close freely. Allow a clearance of at least 1 9/16" (4 cm) below the cutout floor, 3" (7.6 cm) for installation above a built-in oven, and a 2" (5.1 cm) above the cutout opening.



#### REQUIRED CUTOUT DIMENSIONS



- Height dimension is critical: 17" (43.2 cm) minimum and 17 1/8" (43.5 cm) maximum.
- Width and depth measurements have 1/16" (2mm) tolerance.
- 3" (7.6 cm) minimum dimension is from lower oven cutout ceiling to microwave oven cutout floor.
- Trim kit frame extends 1 1/16" (2.7 cm) above and below the cutout opening.

#### TRIM KIT FRAME DIMENSIONS

