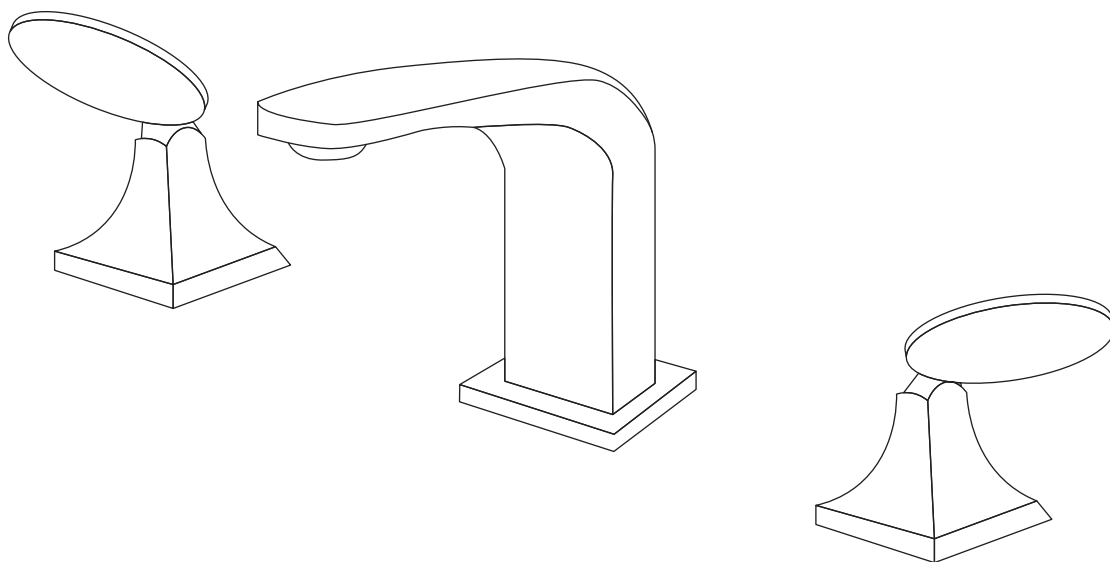


# INSTALLATION INSTRUCTIONS

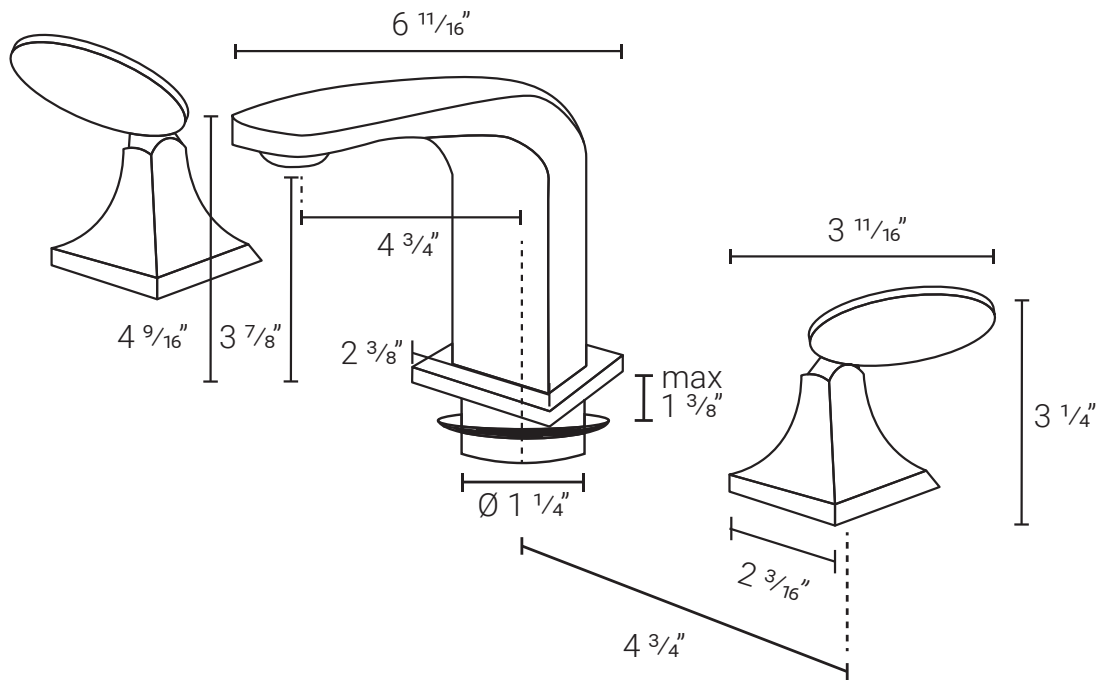
*Swiss Madison*<sup>®</sup>  
well made forever

## Château Widespread Bathroom Faucet SM-BF02



Share your pictures for a feature  
using **#SwissMadison**

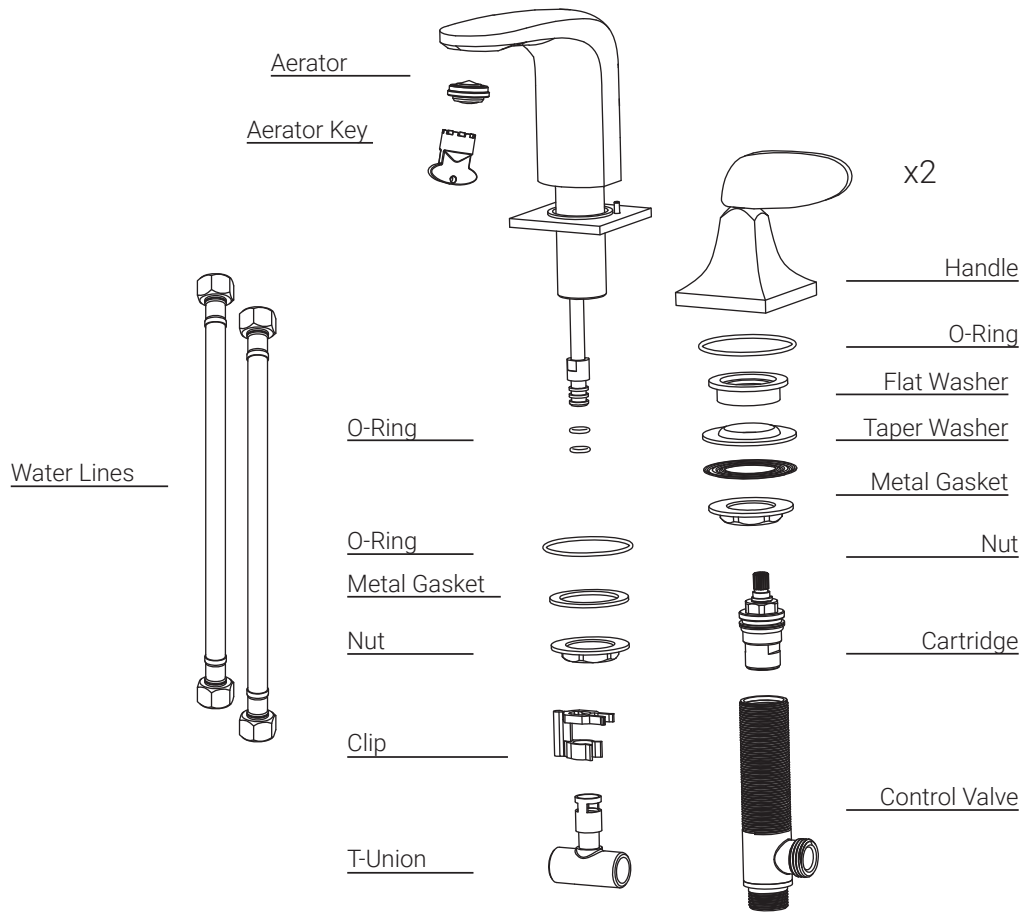




**Château Widespread Faucet**

**6 11/16" x 2 3/8" x 4 9/16"**

- SM-BF02C - Chrome
- SM-BF02BG - Brushed Gold
- SM-BF02BN - Brushed Nickel
- SM-BF02GG - Gunmetal Grey
- SM-BF02MB - Matte Black
- SM-BF02OR - Oil Rubbed Bronze



## SUGGESTED TOOLS AND MATERIALS



Safety Glasses



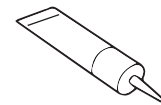
Screwdriver



Wrench



Pipe Tape



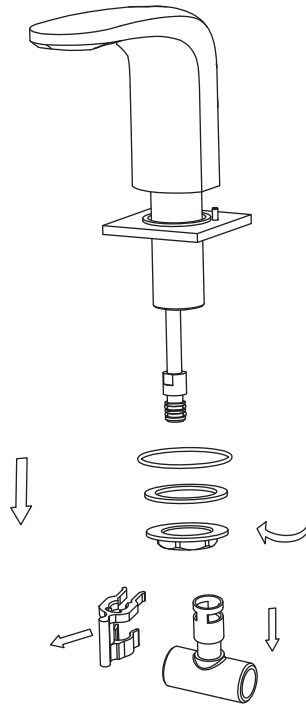
Sealant

The step-by-step guidelines in the installation instructions are a general reference for installing a Swiss Madison Faucet. Should there be any discrepancies, Swiss Madison cannot be held liable. It is recommended to install all Swiss Madison products by hiring a licensed professional.

- i
  1. Read the complete instruction manual before beginning installation.
  2. Confirm that your model will fit in intended location and plumbing fixtures are located where legally required before beginning installation.

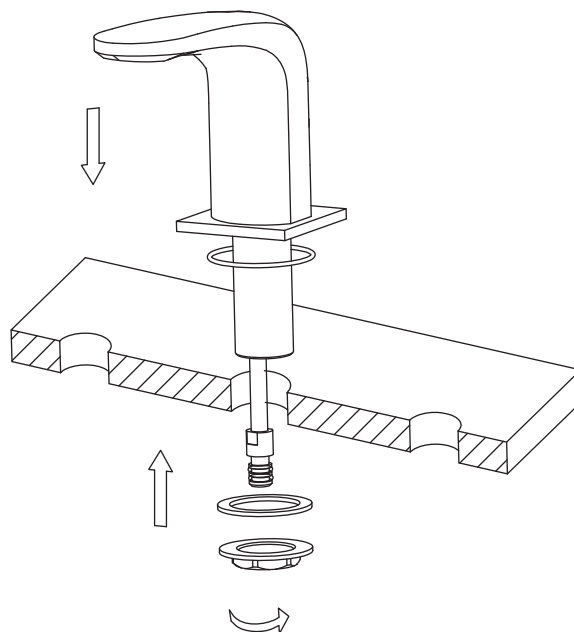
## 1. Remove Mounting Hardware

- Remove T-union, clip, wide nut, and metal gasket from spout.



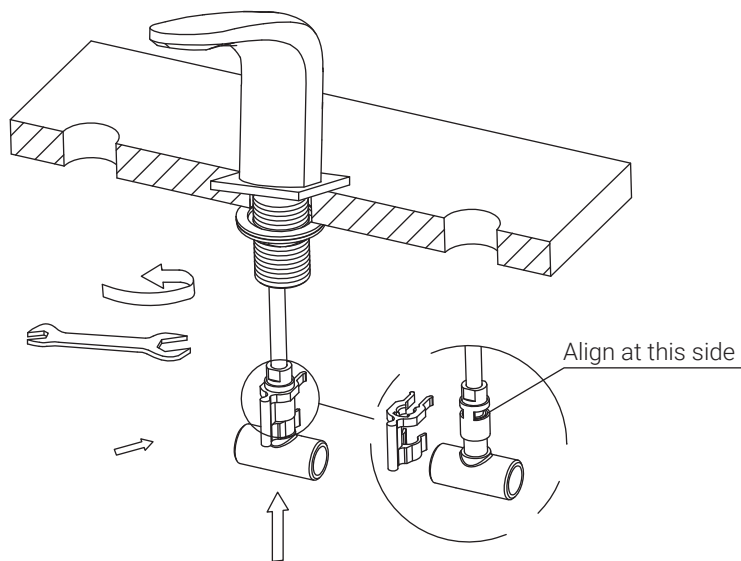
## 2. Secure Spout

- Insert spout with base and O-ring into faucet hole.
- Install metal gasket and wide nut from underneath basin deck.



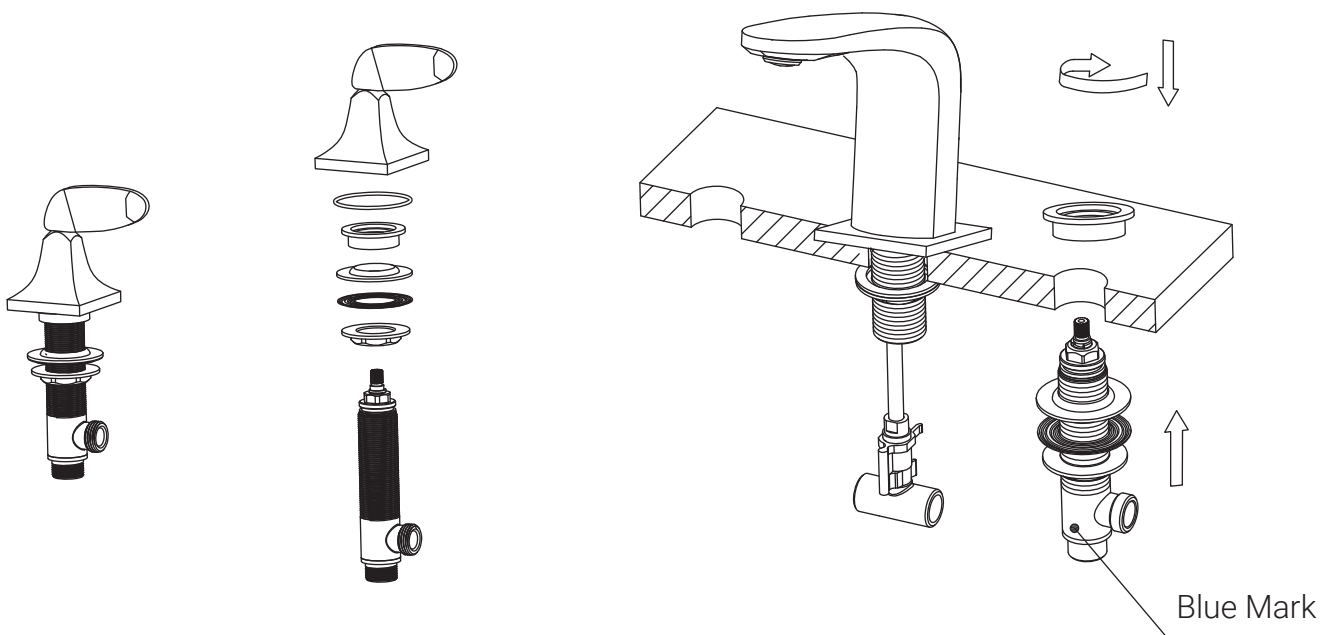
### 3. Install Spout

- Adjust spout to face the correct direction then tighten the wide nut with a wrench to make sure the spout is secure.
- Install T-union and fix onto spout with the clip.



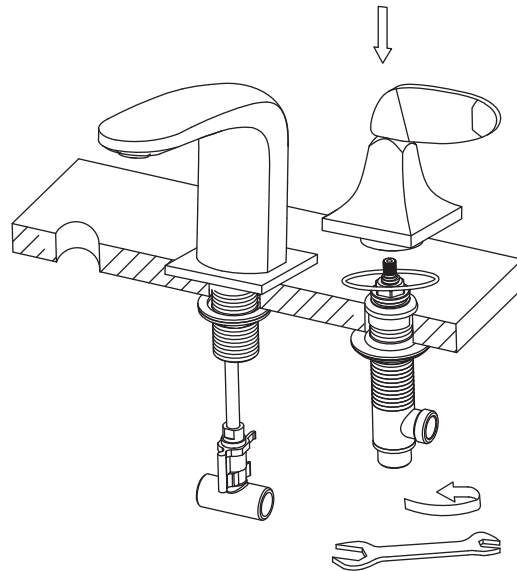
### 4. Remove Handles and Secure Valves

- Remove the handle, O-ring and flat washer from the control valve. Leave taper washer, clip and nut on the control valve.
- Insert the control valve from underneath the basin deck and re-install flat washer.



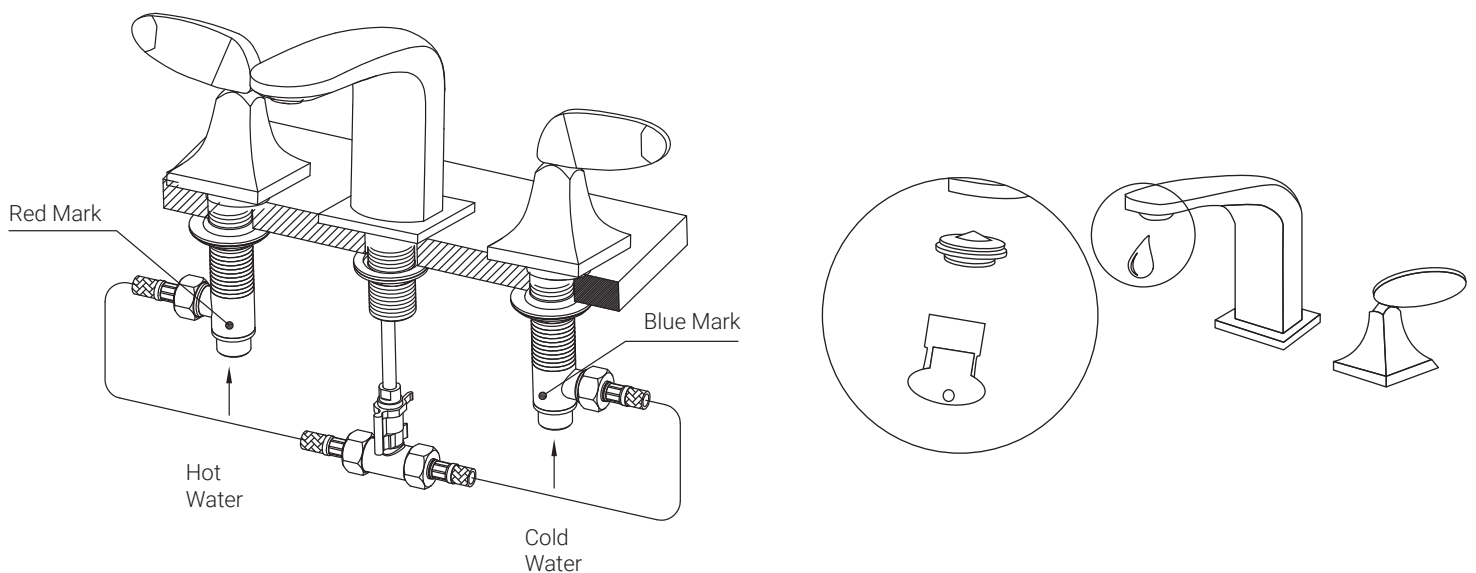
## 5. Secure Valves

- After adjusting the control valve to the correct direction, tighten the nut with a wrench to make sure the spout is secure, then re-install the handle.
- Repeat for the other handle.



## 6. Connect Water Supply

- Connect water supply to hot and cold hose. Turn on and check for leaks.
- Remove aerator with aerator key, turn on water for 15 seconds to flush any debris. Reassemble aerator.





## ONE YEAR LIMITED WARRANTY

Swiss Madison® products are made with quality materials and excellent craftsmanship to provide our customers with beautiful, durable, long-lasting products. Should there be any defects in materials or craftsmanship under regular use that are discovered within the first year of installation, Swiss Madison® will provide replacement parts at no charge, or at its discretion, replace any product or part of the product that is deemed defective, under normal installation, use, service or maintenance. This warranty applies only to the original purchaser. Proof of purchase will be required in the instance of a claim.

Swiss Madison® recommends all installations of Swiss Madison® products to be conducted by a licensed, professional plumber or contractor. Swiss Madison® will not be held responsible for any damage or product failure due to improper installation, misuse, or failure to utilize a licensed professional for installation. Swiss Madison® is not responsible for any installation or removal costs.


### **This One Year Limited Warranty Will Be Voided If:**

- The installation recommendations were not followed by the installer
- The product has been moved from its initial place of installation
- The product has in any way been modified from its packaged state
- The product has been subjected to improper maintenance, abuse, misuse, excessive use of chemicals, accidents, or other damages, etc.

Swiss Madison® makes no implication that its products comply with any local building or plumbing codes. It is the consumer's responsibility and obligation to determine local code compliance prior to and during installation. This warranty extends only to the original purchaser and first consumer.

Swiss Madison® is not responsible for any special, incidental or consequential damages associated with the installation, replacement, return or use of the original purchaser's product. This includes, but is not limited to: freight costs, labor, travel time, lost profit, home damages and other contingent liabilities and costs (including, without limitation, costs associated with 'professionals' or 'experts', investigations, audits, analyses, attorneys and any other professional/hired services).

The Swiss Madison® warranty is a comprehensive and explicit limit of liability. All items not disclosed within the warranty are not addressable within the responsibility of Swiss Madison®. Certain states have variances regarding implied warranties; in those situations, we remain fully compliant.

 **WARNING:** Contents of your order may contain sharp and possibly other harmful pieces and may cause hazard to children and adults. Swiss Madison® is not responsible in any way for personal damages.