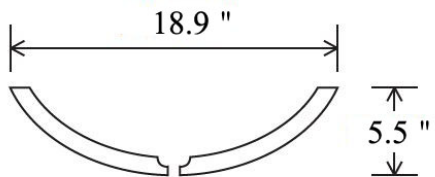
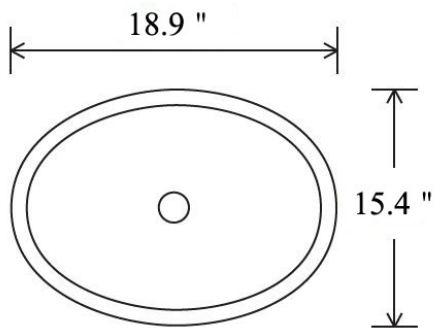


ANZZI™

Perfection is our Tradition™

LS-AZ043
LS-AZ8098



ANZZI VESSEL SINK DIMENSIONS

Measurements are approximate and subject to change.