

# MEDICINE CABINETS & LED

Our stylish medicine cabinets are made from optional Rust Free Stainless Aluminum or matching wood materials with reversible doors. Multiple levels of adjustable shelves are fashioned to allow toiletries and bath items to be hidden to avoid clutter. All of our medicine cabinets are protected with soft closure enhancements. We offer medicine cabinets come in a variety of sizes & colors to fit your bathroom needs.



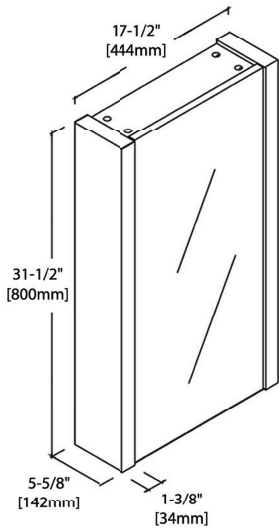
- Silver Grey
- 30" Medicine Cabinet
- Double Door Function
- Adjustable Wood Shelves



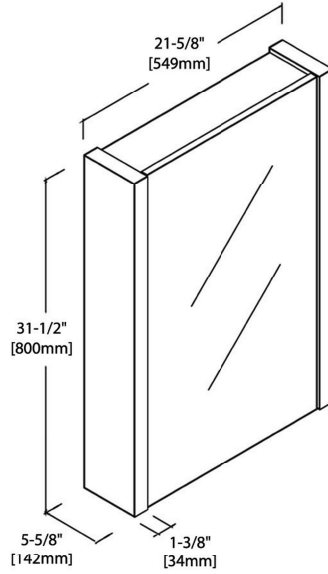
- Glossy White
- 20" Wall Cabinet
- Single Door Function
- Adjustable Wood Shelves



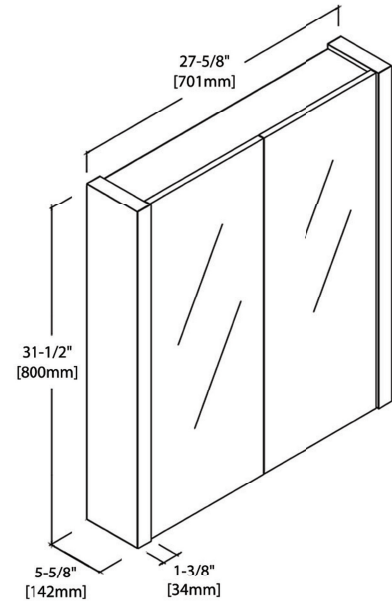
- Briccole Oak
- 24" Medicine Cabinet
- Single Door Function
- Adjustable Wood Shelves



20" MEDICINE CABINET (MC7014 20)



24" MEDICINE CABINET (MC7014 24)



30" MEDICINE CABINET (MC7014 30)

Dimensions are  $\pm 1/8"$

**FEATURES**

- Soft Wood
- Soft-Closing Doors
- Adjustable Tempered Glass Shelves
- Spacious Storage Design

**20" Medicine Cabinet**

MODEL #	Description	Color	MSRP
MC7014 20 01	20" Medicine Cabinet	Glossy White	\$290
MC7014 20 16	20" Medicine Cabinet	Silver Grey	\$290
MC7014 20 25	20" Medicine Cabinet	Navy Blue	\$290

**24" Medicine Cabinet**

MODEL #	Description	Color	MSRP
MC7014 24 01	24" Medicine Cabinet	Glossy White	\$320
MC7014 24 16	24" Medicine Cabinet	Silver Grey	\$320
MC7014 24 25	24" Medicine Cabinet	Navy Blue	\$320

**30" Aluminum Medicine Cabinet**

MODEL #	Description	Color	MSRP
MC7014 30 01	30" Medicine Cabinet	Glossy White	\$350
MC7014 30 16	30" Medicine Cabinet	Silver Grey	\$350
MC7014 30 25	30" Medicine Cabinet	Navy Blue	\$350