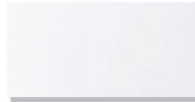


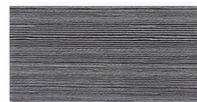
# MILAN

## 014 SERIES COLLECTION

### AVAILABLE COLORS



Glossy White



Silver Grey



Navy Blue

Milan series is our first line to offer a beauty two tone color design as well as two solid finishes. Skill crafted and engineered from all wood material provides this cabinet long lasting durability. We also have it in multiple selections of size available. This spacious design vanity can blend in any modern bathroom, keeping it in sync the surroundings. The Top is combined with a ceramic top mount basin for pure and easy installation. In addition all hardware on this vanity is soft-closing for effortless functionality. Like all Blossom vanities we carry matching add-ons, Milan as well isn't complete without our matching medicine or mirror for the perfect set. Only A few vanities like Milan can open infinite possibilities, creating this an ideal piece for whatever size project. Luxury made simple for you.



Glossy White



Silver Grey



Navy Blue

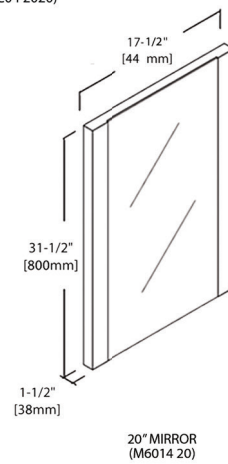
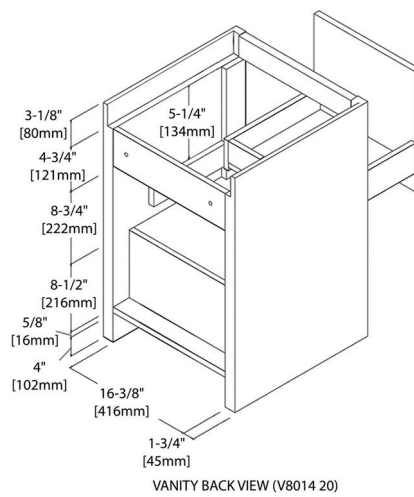
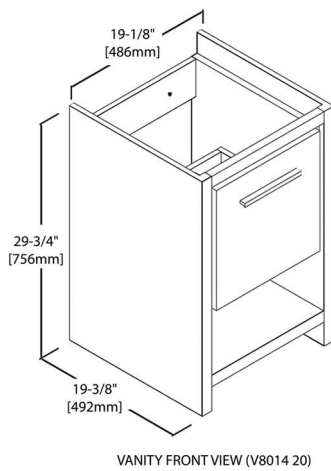
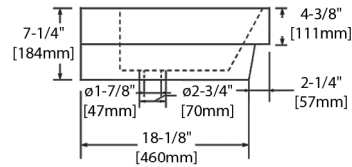
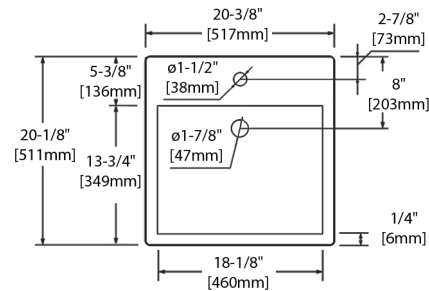
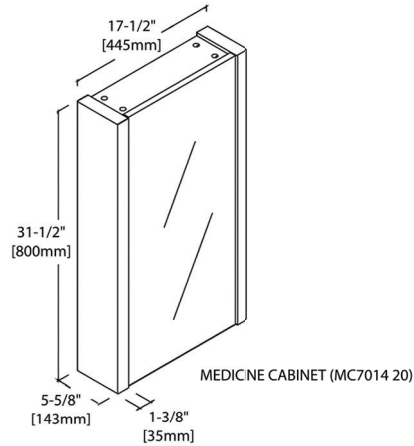


Glossy White



Glossy White

Vanity  
Milan-20"



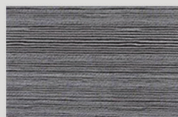
FEATURES

- All Wood
- Soft Closing Drawers
- Top-Mount Basin
- Compatible Mirror or Medicine Cabinet

Available Colors



Glossy White



Silver Grey



Navy Blue

Vanity

MODEL #	Description	Color	MSRP
V8014 20 01	20" Vanity	Glossy White	\$690
V8014 20 16	20" Vanity	Silver Grey	\$690
V8014 20 25	20" Vanity	Navy Blue	\$690

Basin

MODEL #	Description	Color	MSRP
C04 2020	Single Hole Ceramic Basin	White	\$225

Mirror & Medicine Cabinet

MODEL #	Description	Color	MSRP
MC7014 20 01	20" Wood Medicine Cabinet	Glossy White	\$290
MC7014 20 16	20" Wood Medicine Cabinet	Silver Grey	\$290
MC 7014 20 25	20" Wood Medicine Cabinet	Navy Blue	\$290
M6014 20 01	20" Mirror	Glossy White	\$140
M6014 20 16	20" Mirror	Silver Grey	\$140
M6014 20 25	20" Mirror	Navy Blue	\$140



Glossy White



Silver Grey



Navy Blue

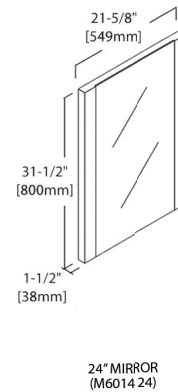
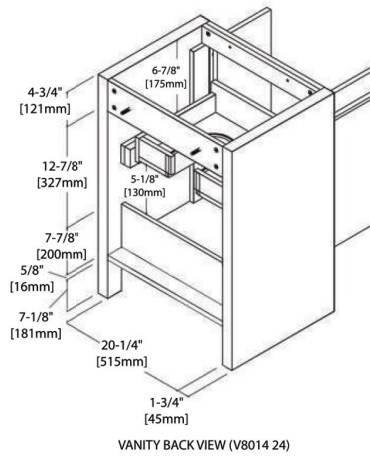
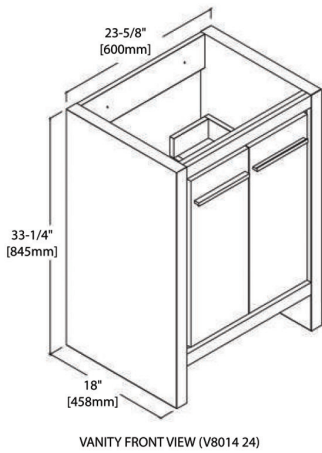
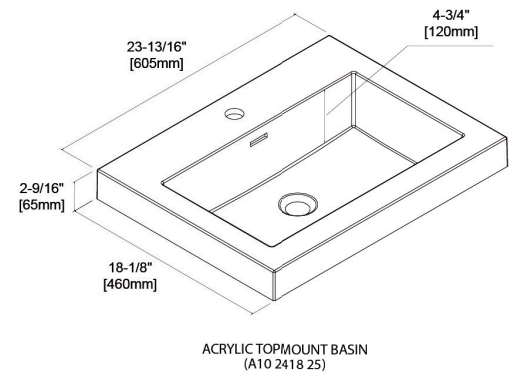
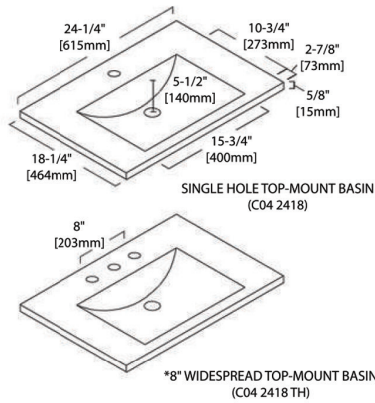
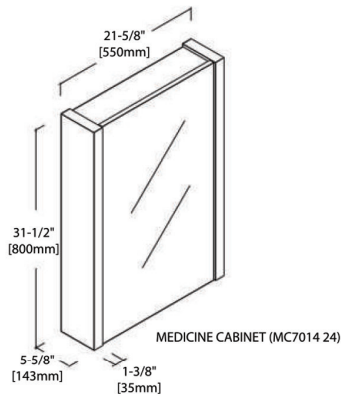


Glossy White



Glossy White

Vanity  
Milan-24"

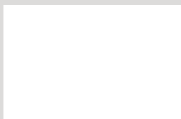


Dimensions are ±1/8"

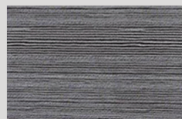
FEATURES

- All Wood
- Soft Closing Drawers
- Top-Mount Basin
- Compatible Mirror or Medicine Cabinet

Available Colors



Glossy White



Silver Grey



Navy Blue

Vanity

MODEL #	Description	Color	MSRP
V8014 24 01	24"Vanity	Glossy White	\$830
V8014 24 16	24"Vanity	Silver Grey	\$830
V8014 24 25	24"Vanity	Navy Blue	\$830

Basin

MODEL #	Description	Color	MSRP
C04 2418	Single Hole Ceramic Basin	White	\$190
C04 2418 TH	8" Widespread Ceramic Basin	White	\$240
A10 2418 25	Acrylic Topmount Basin	White	\$250

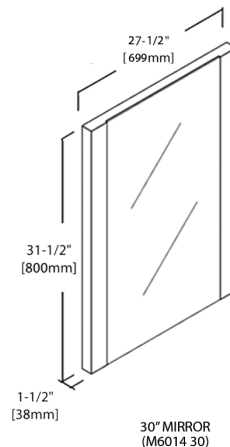
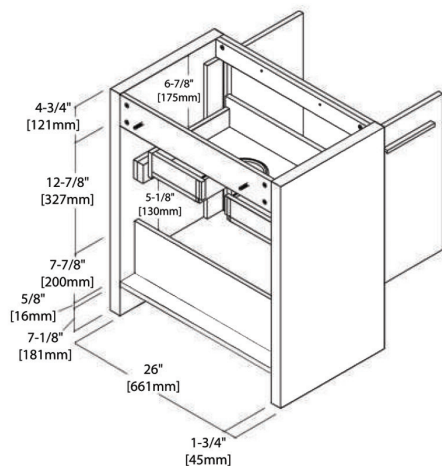
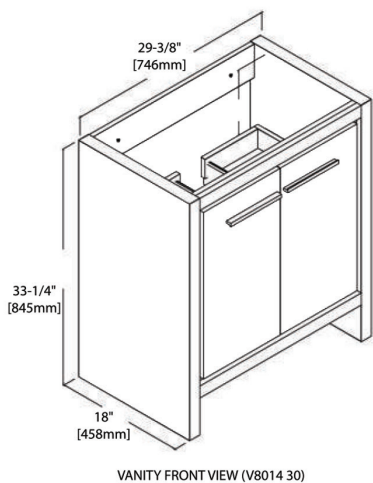
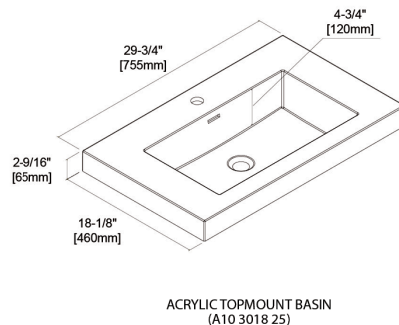
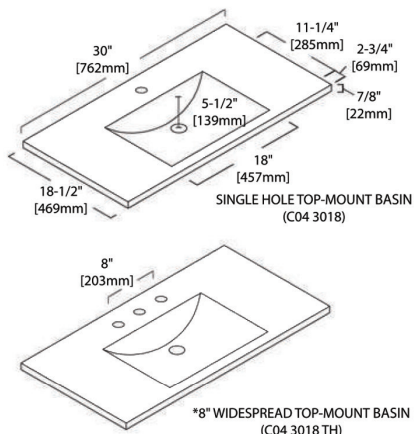
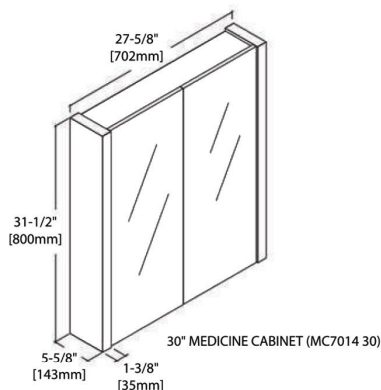
Mirror & Medicine Cabinet

MODEL #	Description	Color	MSRP
MC7014 24 01	24" Wood Medicine Cabinet	Glossy White	\$320
MC7014 24 16	24" Wood Medicine Cabinet	Silver Grey	\$320
MC7014 24 25	24" Wood Medicine Cabinet	Navy Blue	\$320
M6014 24 01	24" Mirror	Glossy White	\$170
M6014 24 16	24" Mirror	Silver Grey	\$170
M6014 24 25	24" Mirror	Navy Blue	\$170



# Vanity

Milan-30"



Dimensions are  $\pm 1/8"$

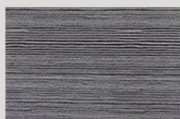
## FEATURES

- All Wood
- Soft Closing Drawers
- Top-Mount Basin
- Compatible Mirror or Medicine Cabinet

## Available Colors



Glossy White



Silver Grey



Navy Blue

## Vanity

MODEL #	Description	Color	MSRP
V8014 30 01	30" Vanity	Glossy White	\$890
V8014 30 16	30" Vanity	Silver Grey	\$890
V8014 30 25	30" Vanity	Navy Blue	\$890

## Basin

MODEL #	Description	Color	MSRP
C04 3018	Single Hole Ceramic Basin	White	\$215
C04 3018 TH	8" Widespread Ceramic Basin	White	\$265
A10 3018 25	Acrylic Topmount Basin	White	\$290

## Mirror & Medicine Cabinet

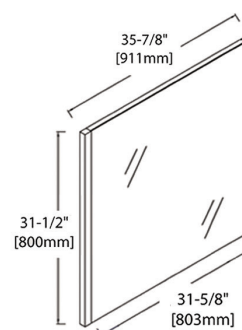
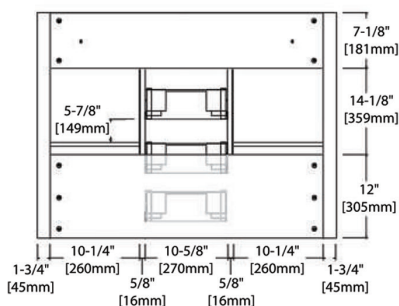
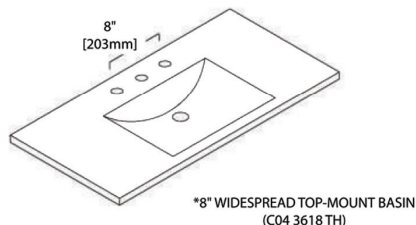
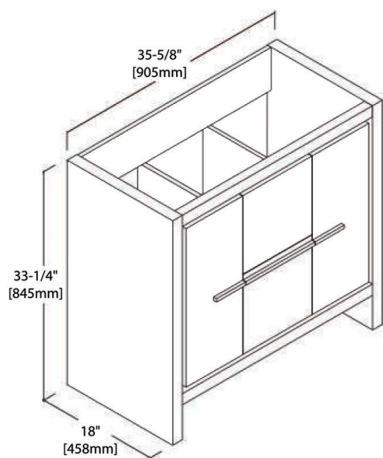
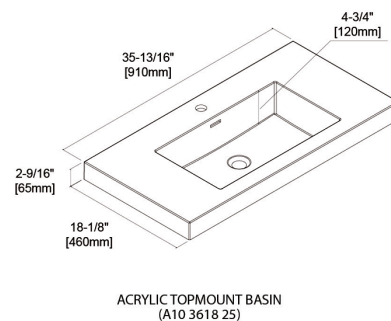
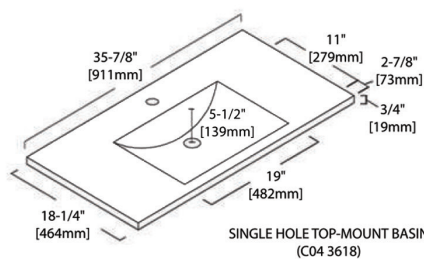
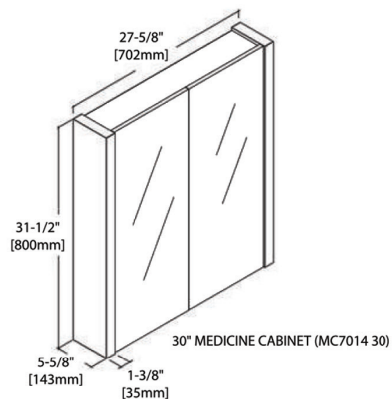
MODEL #	Description	Color	MSRP
MC7014 30 01	30" Wood Medicine Cabinet	Glossy White	\$350
MC7014 30 16	30" Wood Medicine Cabinet	Silver Grey	\$350
MC7014 30 25	30" Wood Medicine Cabinet	Navy Blue	\$350
M6014 30 01	30" Mirror	Glossy White	\$220
M6014 30 16	30" Mirror	Silver Grey	\$220
M6014 30 25	30" Mirror	Navy Blue	\$220





# Vanity

## Milan-36"



Dimensions are  $\pm 1/8"$

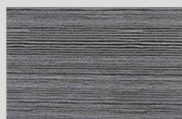
### FEATURES

- All Wood
- Soft Closing Drawers
- Top-Mount Basin
- Compatible Mirror or Medicine Cabinet

### Available Colors



Glossy White



Silver Grey



Navy Blue

### Vanity

MODEL #	Description	Color	MSRP
V8014 36 01	36" Vanity	Glossy White	\$1200
V8014 36 16	36" Vanity	Silver Grey	\$1200
V8014 36 25	36" Vanity	Navy Blue	\$1200

### Basin

MODEL #	Description	Color	MSRP
C04 3618	Single Hole Ceramic Basin	White	\$300
C04 3618 TH	8" Widespread Ceramic Basin	White	\$350
A10 3618 25	Acrylic Topmount Basin	White	\$330

### Mirror & Medicine Cabinet

MODEL #	Description	Color	MSRP
MC7014 30 01	30" Wood Medicine Cabinet	Glossy White	\$350
MC7014 30 16	30" Wood Medicine Cabinet	Silver Grey	\$350
MC7014 30 25	30" Wood Medicine Cabinet	Navy Blue	\$350
M6014 36 01	36" Mirror	Glossy White	\$260
M6014 36 16	36" Mirror	Silver Grey	\$260
M6014 36 25	36" Mirror	Navy Blue	\$260



Glossy White



Sliver Grey



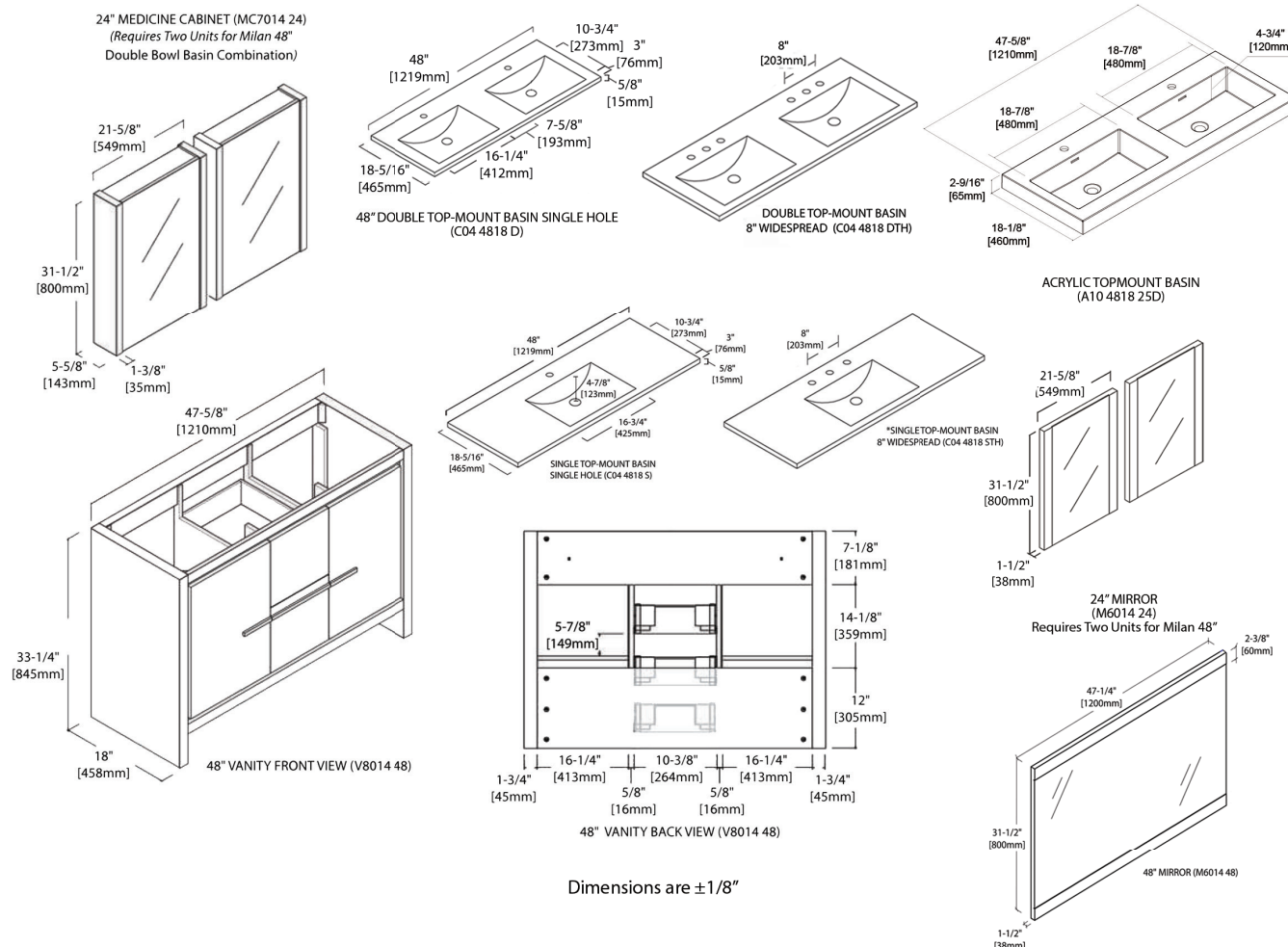
Glossy White



Navy Blue

# Vanity

## Milan-48" Double & Single



Dimensions are ±1/8"

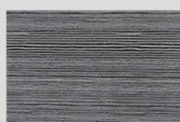
### FEATURES

- All Wood
- Soft Closing Drawers
- Top-Mount Basin
- Compatible Mirror or Medicine Cabinet

### Available Colors



Glossy White



Silver Grey



Navy Blue

### Vanity

MODEL #	Description	Color	MSRP
V8014 48 01	48" Vanity	Glossy White	\$1350
V8014 48 16	48" Vanity	Silver Grey	\$1350
V8014 48 25	48" Vanity	Navy Blue	\$1350

### Basin

MODEL #	Description	Color	MSRP
C04 4818 D	Double Ceramic Basin	White	\$630
C04 4818 DTH	8" Wide Spread Double Ceramic Basin	White	\$730
C04 4818 S	Single Ceramic Basin	White	\$500
C04 4818 STH	8" Wide Spread Single Ceramic Basin	White	\$550
A10 4818 25S	Acrylic Topmount Basin	White	\$450
A10 4818 25D	Acrylic Topmount Basin	White	\$520

### Mirror & Medicine Cabinet

MODEL #	Description	Color	MSRP
MC7014 24 01 X2	24" Wood Medicine Cabinet	Glossy White	\$640
MC7014 24 16 X2	24" Wood Medicine Cabinet	Silver Grey	\$640
MC7014 24 25 X2	24" Wood Medicine Cabinet	Navy Blue	\$640
M6014 24 01 X2	24" Mirror	Glossy White	\$340
M6014 24 16 X2	24" Mirror	Silver Grey	\$340
M6014 24 25 X2	24" Mirror	Navy Blue	\$340
M6014 48 01	48" Mirror	Glossy White	\$340
M6014 48 16	48" Mirror	Silver Grey	\$340
M6014 48 25	48" Mirror	Navy Blue	\$340



Navy Blue



Silver Grey

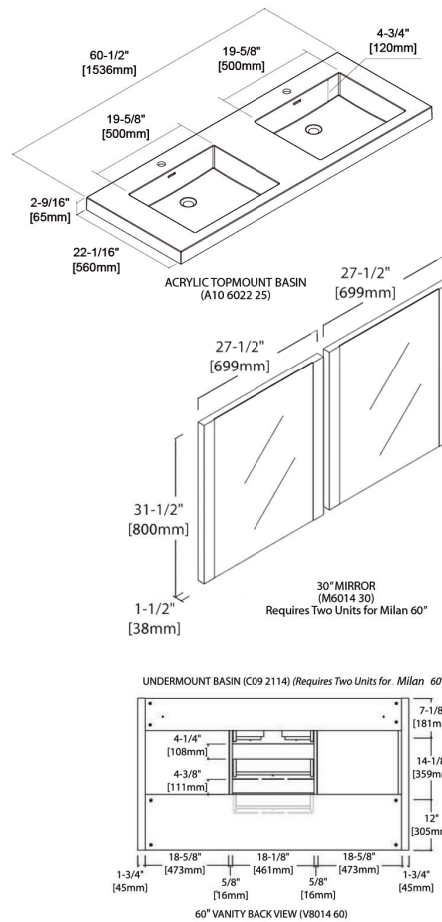
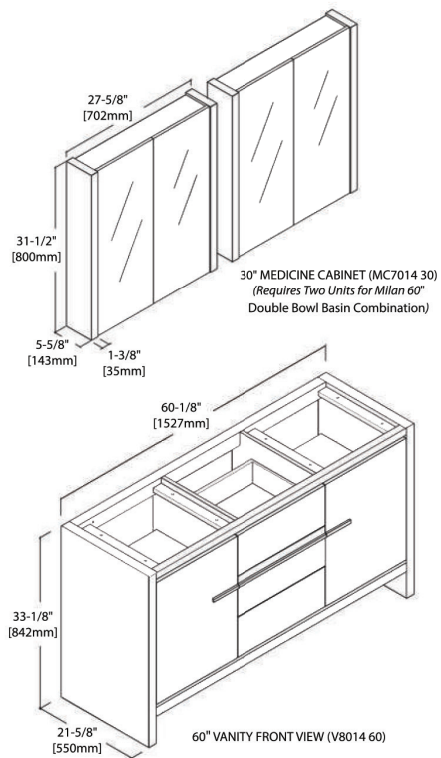


Glossy White



Silver Grey

Vanity  
Milan-60"



Dimensions are ± 1/8"

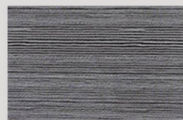
FEATURES

- All Wood
- Soft Closing Drawers
- Top-Mount Basin
- Compatible Mirror or Medicine Cabinet

Available Colors



Glossy White



Silver Grey



Navy Blue

Vanity & Side Cabinet

MODEL #	Description	Color	MSRP
V8014 60 01	60" Vanity	Glossy White	\$1800
V8014 60 16	60" Vanity	Silver Grey	\$1800
V8014 60 25	60" Vanity	Navy Blue	\$1800

Basin

MODEL #	Description	Color	MSRP
A10 6022 25	Acrylic Topmount Basin	White	\$710

Mirror & Medicine Cabinet

MODEL #	Description	Color	MSRP
MC7014 30 01 X2	30" Wood Medicine Cabinet	Glossy White	\$700
MC7014 30 16 X2	30" Wood Medicine Cabinet	Silver Grey	\$700
MC7014 30 25 X2	30" Wood Medicine Cabinet	Navy Blue	\$700
M6014 30 01 X2	30" Mirror	Glossy White	\$440
M6014 30 16 X2	30" Mirror	Silver Grey	\$440
M6014 30 25 X2	30" Mirror	Navy Blue	\$440

**Vanity**

MODEL #	Description	Color	MSRP
V8014 20 01	20"Vanity	Glossy White	\$690
V8014 20 16	20"Vanity	Silver Grey	\$690
V8014 20 25	20"Vanity	Navy Blue	\$690
V8014 24 01	24"Vanity	Glossy White	\$830
V8014 24 16	24"Vanity	Silver Grey	\$830
V8014 24 25	24"Vanity	Navy Blue	\$830
V8014 30 01	30"Vanity	Glossy White	\$890
V8014 30 16	30"Vanity	Silver Grey	\$890
V8014 30 25	30"Vanity	Navy Blue	\$890
V8014 36 01	36"Vanity	Glossy White	\$1200
V8014 36 16	36"Vanity	Silver Grey	\$1200
V8014 36 25	36"Vanity	Navy Blue	\$1200
V8014 48 01	48"Vanity	Glossy White	\$1350
V8014 48 16	48"Vanity	Silver Grey	\$1350
V8014 48 25	48"Vanity	Navy Blue	\$1350
V8014 60 01	60"Vanity	Glossy White	\$1800
V8014 60 16	60"Vanity	Silver Grey	\$1800
V8014 60 25	60"Vanity	Navy Blue	\$1800

**BASIN**

MODEL #	Description	Color	MSRP
C04 2020	Single Hole Ceramic Basin	White	\$225
C04 2418	Single Hole Ceramic Basin	White	\$190
C04 2418 TH	8"Widespread Ceramic Basin	White	\$240
C04 3018	Single Hole Ceramic Basin	White	\$215
C04 3018 TH	8"Widespread Ceramic Basin	White	\$265
C04 3618	Single Hole Ceramic Basin	White	\$300
C04 3618 TH	8"Widespread Ceramic Basin	White	\$350
C04 4818 D	Double Ceramic Basin	White	\$630
C04 4818 DTH	8"Wide Spread Double Ceramic Basin	White	\$730
C04 4818 S	Single Ceramic Basin	White	\$500
C04 4818 STH	8"Wide Spread Single Ceramic Basin	White	\$550
A10 2418 25	Acrylic Topmount Basin	White	\$250
A10 3018 25	Acrylic Topmount Basin	White	\$290
A10 3618 25	Acrylic Topmount Basin	White	\$330
A10 4818 25D	Acrylic Topmount Basin	White	\$520
A10 4818 25S	Acrylic Topmount Basin	White	\$450
A10 6022 25	Acrylic Topmount Basin	White	\$710

**MIRROR**

MODEL #	Description	Color	MSRP
M6014 20 01	20" Mirror	Glossy White	\$140
M6014 20 16	20" Mirror	Silver Grey	\$140
M6014 20 25	20" Mirror	Navy Blue	\$140
M6014 24 01	24" Mirror	Glossy White	\$170
M6014 24 16	24" Mirror	Silver Grey	\$170
M6014 24 25	24" Mirror	Navy Blue	\$170
M6014 30 01	30" Mirror	Glossy White	\$220
M6014 30 16	30" Mirror	Silver Grey	\$220
M6014 30 25	30" Mirror	Navy Blue	\$220
M6014 36 01	36" Mirror	Glossy White	\$260
M6014 36 16	36" Mirror	Silver Grey	\$260
M6014 36 25	36" Mirror	Navy Blue	\$260
M6014 48 01	48" Mirror	Glossy White	\$340
M6014 48 16	48" Mirror	Silver Grey	\$340
M6014 48 25	48" Mirror	Navy Blue	\$340

**MEDICINE CABINET**

MODEL #	Description	Color	MSRP
MC7014 20 01	20" Wood Medicine Cabinet	Glossy White	\$290
MC7014 20 16	20" Wood Medicine Cabinet	Silver Grey	\$290
MC7014 20 25	20" Wood Medicine Cabinet	Navy Blue	\$290
MC7014 24 01	24" Wood Medicine Cabinet	Glossy White	\$320
MC7014 24 16	24" Wood Medicine Cabinet	Silver Grey	\$320
MC7014 24 25	24" Wood Medicine Cabinet	Navy Blue	\$320
MC7014 30 01	30" Wood Medicine Cabinet	Glossy White	\$350
MC7014 30 16	30" Wood Medicine Cabinet	Silver Grey	\$350
MC7014 30 25	30" Wood Medicine Cabinet	Navy Blue	\$350