

V8004-18

[Colmar]
Series Vanities
Specification & Installation Guide

Features

- Modern design with high glossy paint or dark oak melamine finishes.
- Soft-closing doors .
- Compatible matching mirror, medicine cabinet or LED mirror, medicine cabinet.
- Easy installation
- Compact size fits perfectly in small bathroom, powder room and office restroom.

Package Dimension

18" 20 53/64" x 13 1/32" x 23 27/64"

Colors / Finishes

Glossy White - 01

Dark Oak - 07

Gross Weight

18" 28 LBS

Sink Top Options

Vanities

Ceramic basin

Artificial stone basin

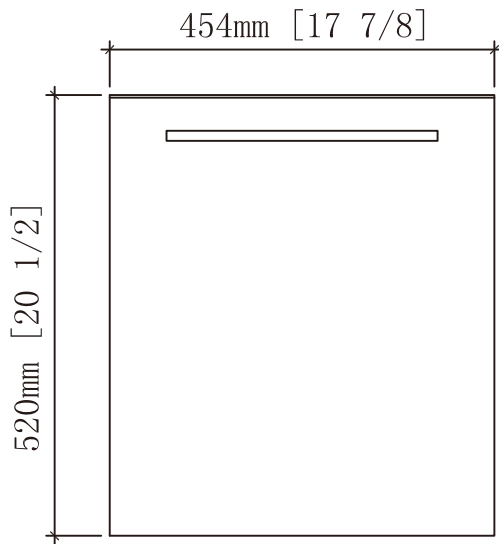
18"

V800418

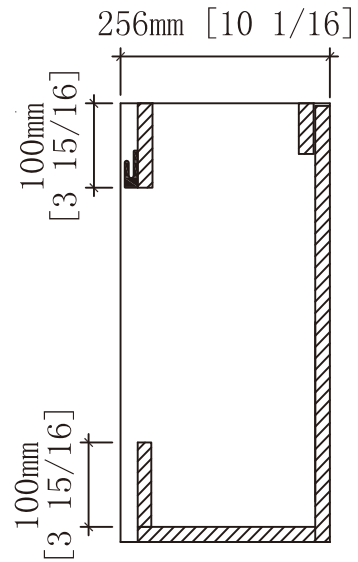
A10 1810 04

18"

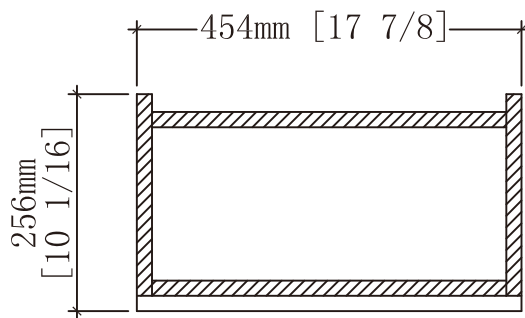
17-7/8" X 10-1/16" X 20-1/2"




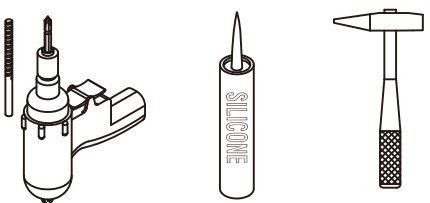


Front View



Side View

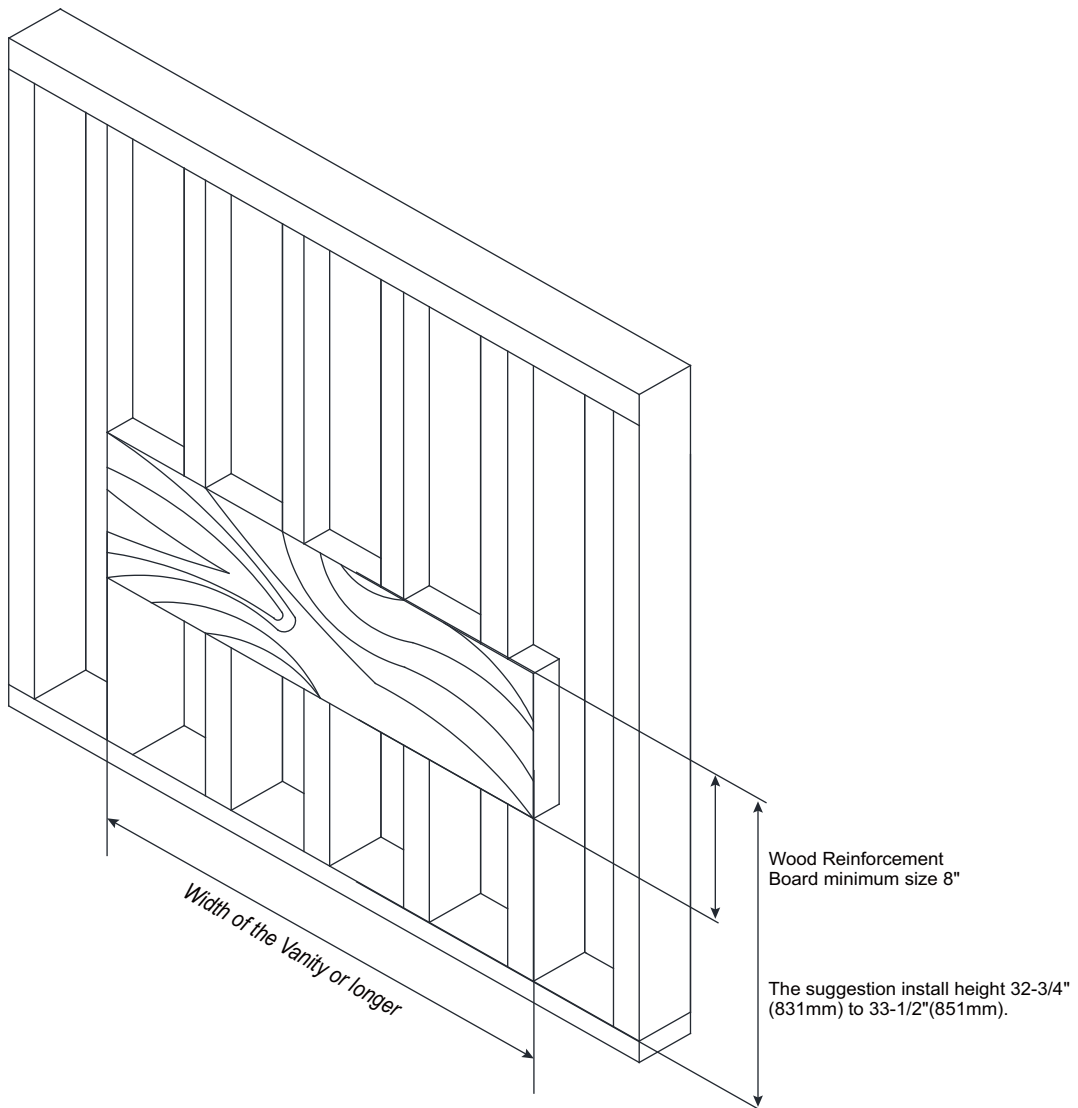


Top View

Hardware				Tools (not includes)	
No.		Draw	Qty		
A	Leveling bracket		2pcs		
B	Green rubber plug		6pcs		
C	Screw		6pcs		

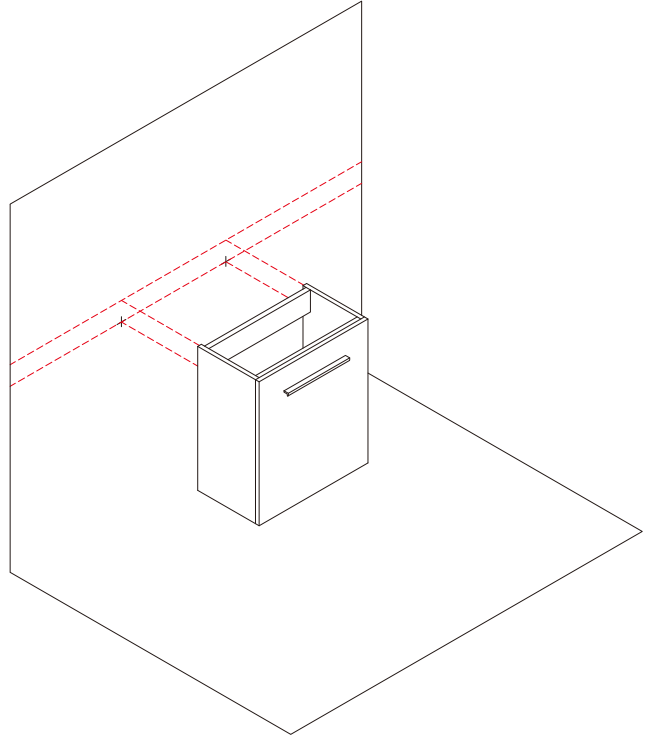
Wall Preparation

- The typical dimensions shown will result in vanity height of 32-3/4"(831mm).If an alternate height is desired,adjust the rough-in and backing material heights using the dimensions provided.



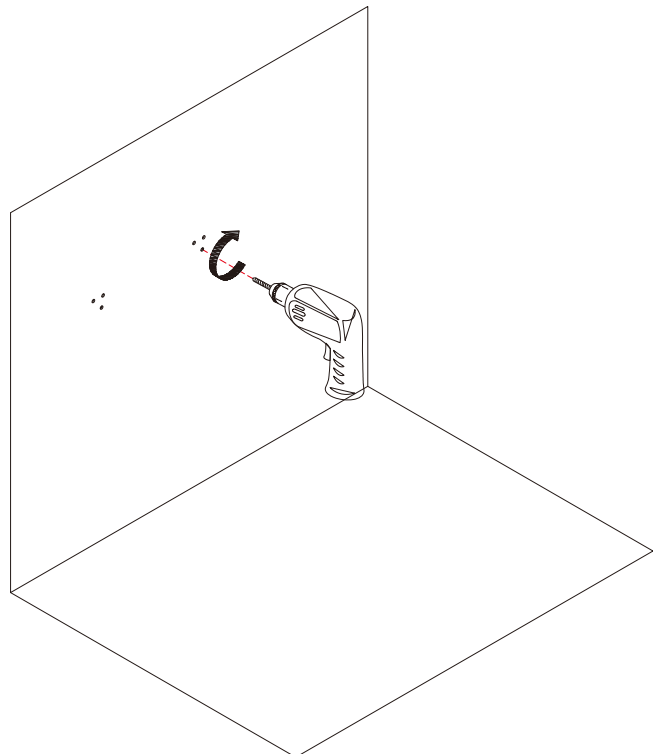
STEP 1

Mark the pre-drilled holes with a pencil or marker after positioning the vanity.



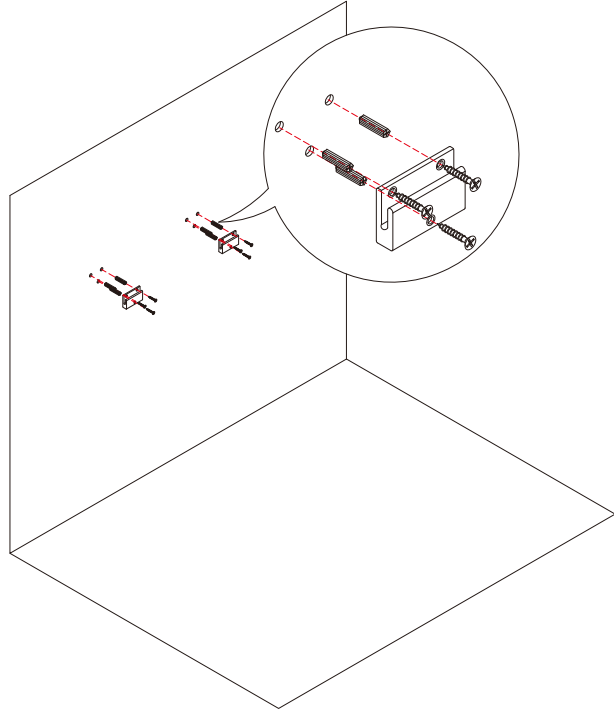
STEP 2

Drill the holes with suitable drill-bits base on different condition of the wall.



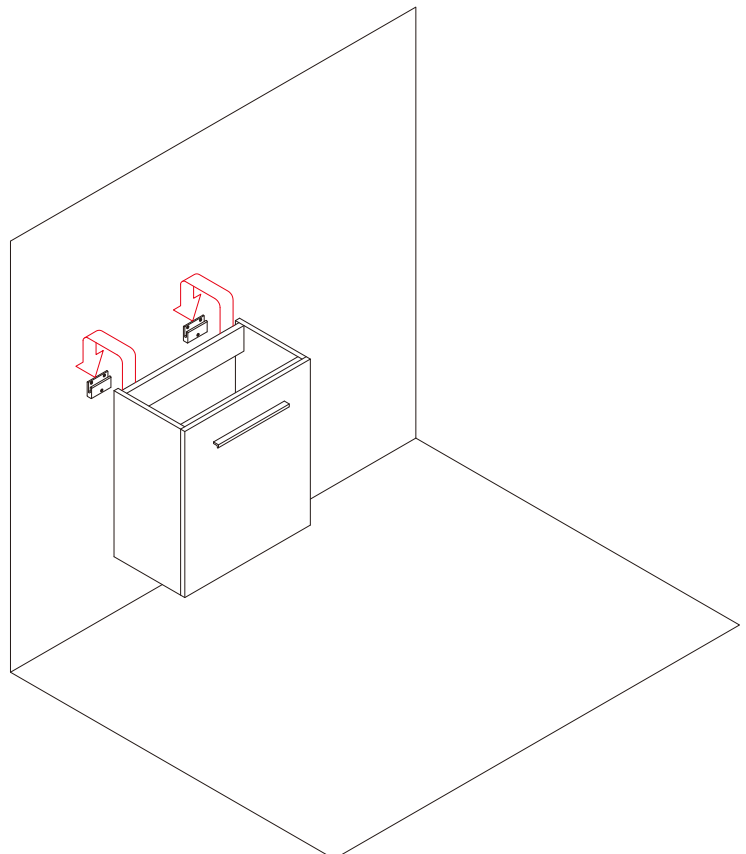
STEP 3

Hammer in the expansion plug, secure the brackets onto the wall with screws.



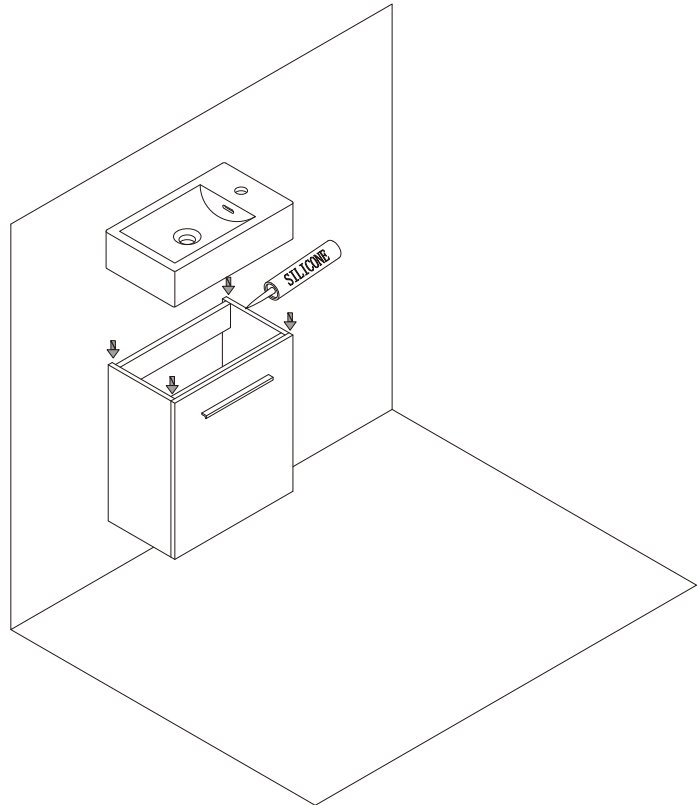
STEP 4

Hang the accessories behind the cabinet on the leveling bracket. (As the picture shows).



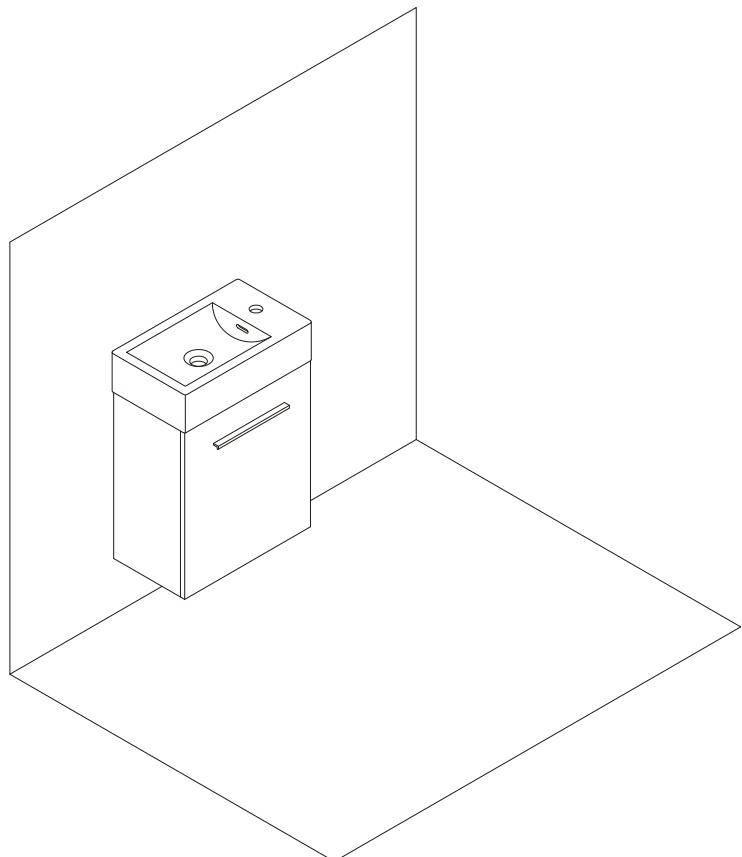
STEP 5

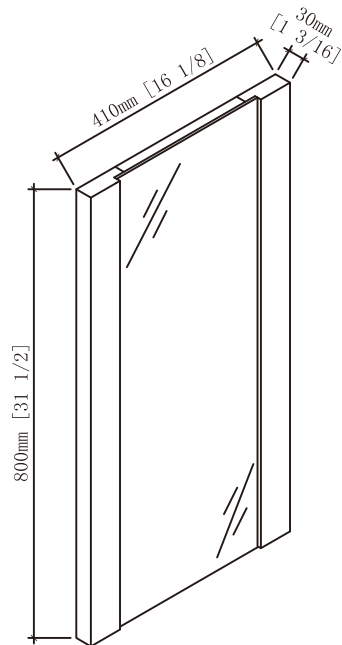
Install the basin with silicone.



STEP 6

Installation complete.





M6004-18

[COLMAR]
Series Mirror
Specification & Installation Guide

Features

- Slidable Modern Design
- Top-grade mirror
- Easy installation.

Package Dimension

18" 19-3/32" x 4-9/64" x 34-29/64"

Colors / Finishes

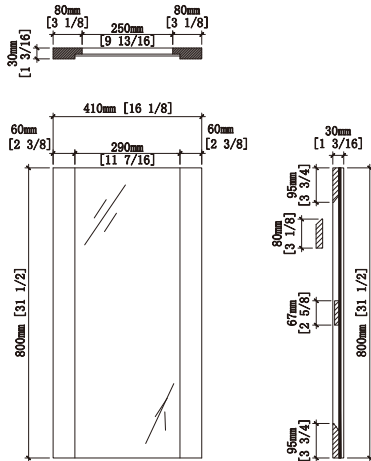
- Glossy White - 01
- Cart Oak - 06
- Dark Oak - 07
- Blue - 25

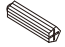
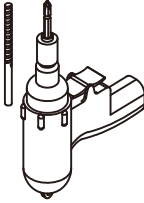
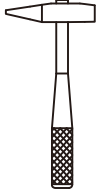

Gross Weight

18" 15 LBS

18"

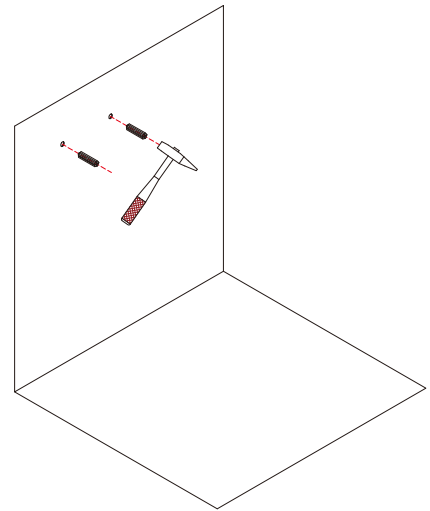
16-1/8" X 1-3/16" X 31-1/2 "



Hardware				Tools (not includes)	
No.		Draw	Qty		
A	Green rubber plug		4pcs		
B	Screw		4pcs		

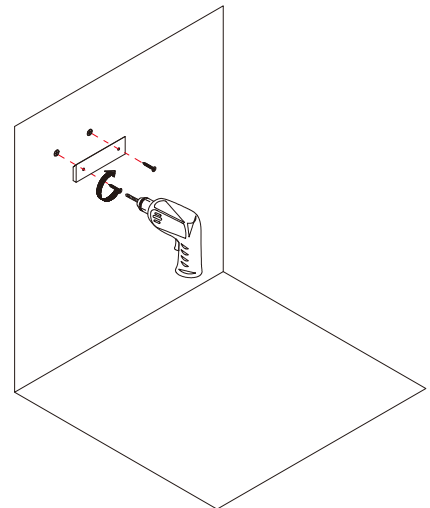
STEP 1

1. Measure the wall-hung board and mark down the holes on the wall.
2. Drill the holes with suitable drill-bits base on different condition of the wall.
3. Use a hammer to knock the green expansion rubber plug into the hole.



STEP 2

Screw the 45 degree wall-hung panel onto the wall.



STEP 3

Put up the back top panel of mirror on the 45 degree wall-hung panel .
Finished.

