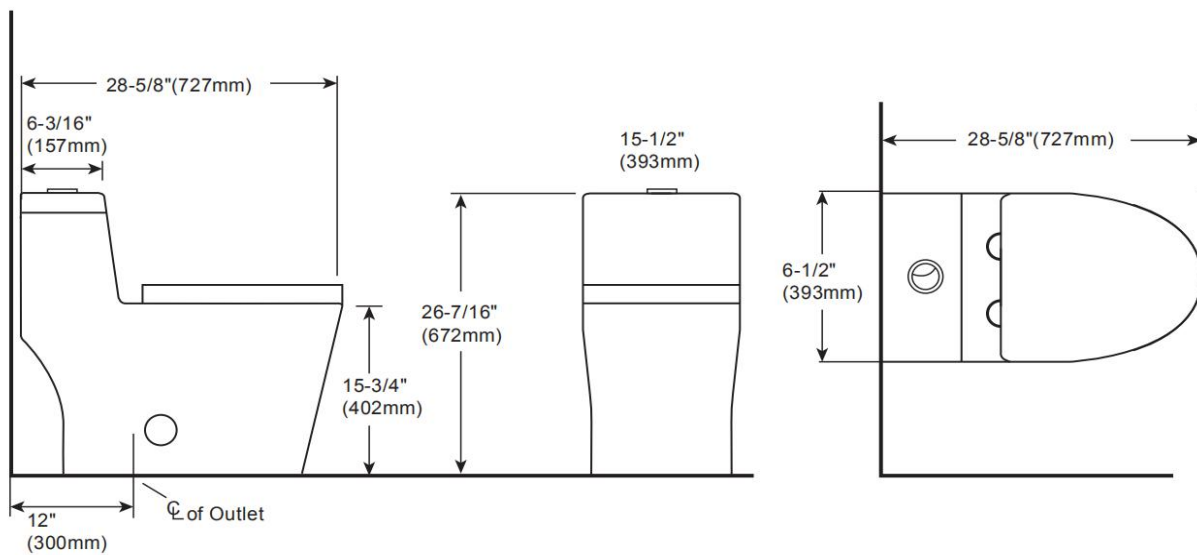


INSTALLATION SPECIFICATION

SKU	T280
Shape	Elongated
Material	Ceramic
Size	28"L*16.5"W*27.5"D
Flush	Top Flush, Siphonic
Trapway	S Trap
Rough in	12"
Color	White
Ceramic Thickness	0.4-0.8"
Waste Size	2.2"
N.W.	105.8LBS
G.W.	114.2LBS
Certification	cupc/watersense/CEC

All measurements are approximate. Measurements may vary 1/4"

Savona 28"*16.5"*27.5" Ceramic Toilet



ALTAIR