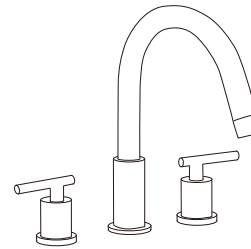


NO.	Description	NO.	Description
1	Handle	20	Metal washer
2	Rubber ring	21	Rubber washer
3	Cover	22	Shank
4	Adapter	23	O-ring
5	Philips round head screws	24	O-ring
6	O-ring	25	Base plate
7	Rubber washer	26	Fixed connector
8	Cartridge	27	O-ring
9	Fixing nut	28	O-ring
10	O-ring	29	O-ring
11	Rubber gasket	30	Water outlet pipe
12	Metal gasket	31	C cap
13	Lock nut	32	O-ring
14	Screw	33	Main body
15	Valve body	34	Spout
16	T-Joint	35	Rubber ring
17	Rubber ring	36	Aerator
18	Flow rate restrictor	37	Spout shell
19	Nut	38	Hot & cold hose

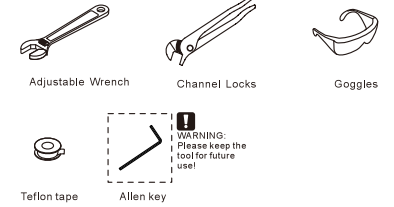


**Widespread Bathroom Basin Sink Faucet**

product is CUPC, NSF/ANSI 61, LEAD FREE and ADA certified.

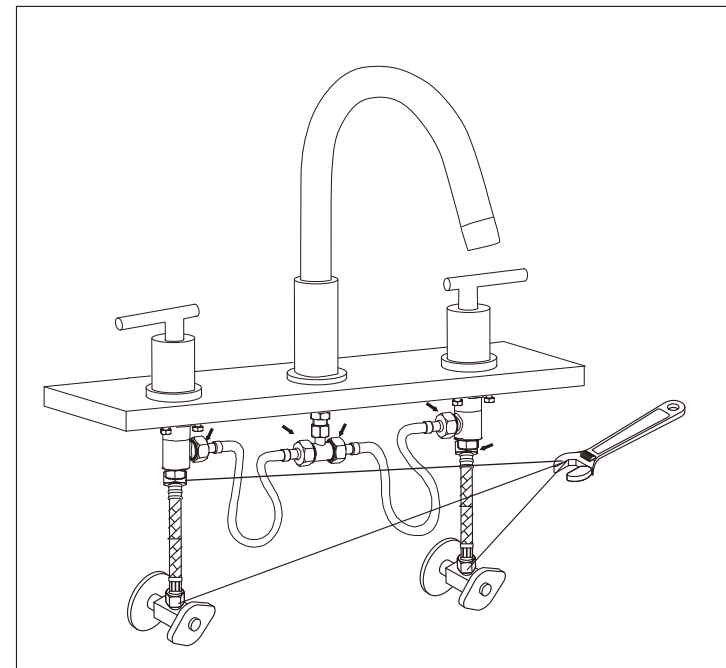
ASME A112.18.1/CSA B125.1

**RECOMMENDED TOOLS**

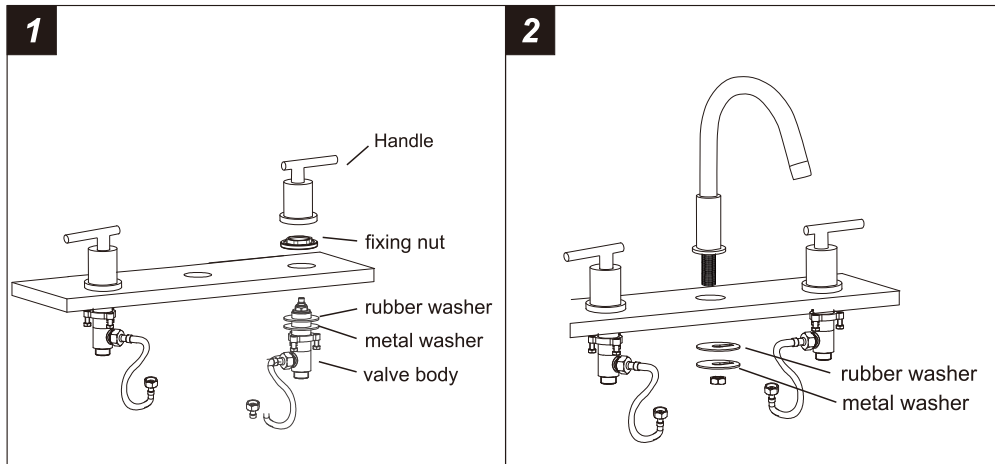


**Attention:**  
for easy installation, you will need:  
1.To read all the installation instruction completely before beginning.  
2.To read all the warning, attention and maintenance information.  
3.To purchase the proper supply lines.

**The tools might be applied to the following places:**



## Step 1 Faucet installation

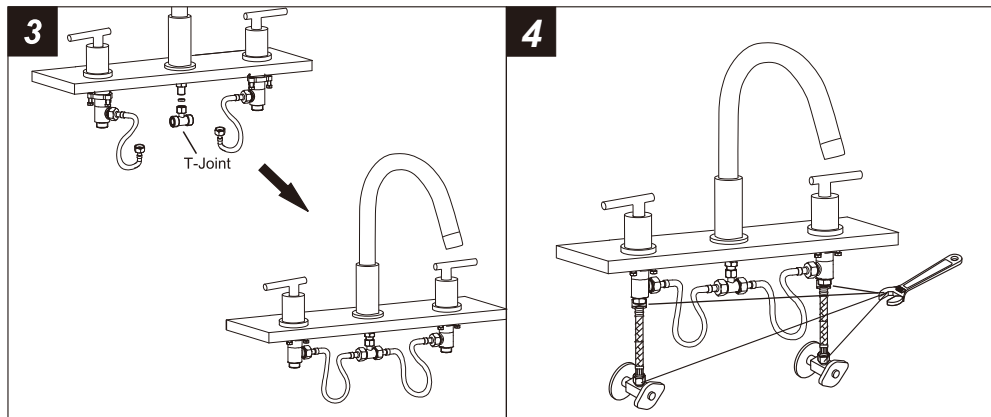


### 1. Handle installation

- 1-1. Disassemble the cold water handle.
- 1-2. From underneath, insert the cold water valve, rubber washer, metal washer and lock nut. From Top, install the handle and fixing nut.
- 1-3. Screw the nut to secure the valve.
- 1-4. Repeat steps to install hot water handle and hot water valve.

### 2. Spout installation

- 2-1. Disassemble the spout.
- 2-2. Place rubber washer, metal washer and nut in order and secure the nut.

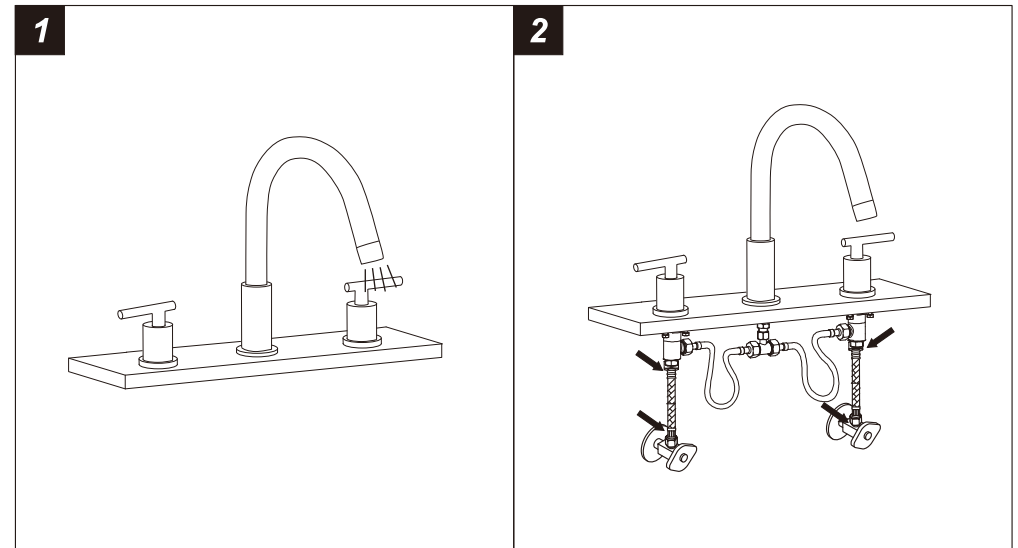


3. Connect and tighten the T-Joint to the shank. Connect hoses from valve body to the T-Joint.
4. Connect the flexible hoses to water supply valve (not included) and copper tubes, and tighten it with adjustable wrench. **DON'T OVER TIGHTEN!**  
Caution: make sure connect the hot and cold flexible hose to supply valves correctly.



Warning: The supply valves are not included, please purchase them in plumbshop.

## Step 2 Checking and testing



1. Turn the faucet handle all the way on, turn on hot and cold water supply and flush water lines for one minute.
2. Check all connections at arrows for leaks, re-tighten it if necessary.



**BUT DON'T OVERTIGHTEN**

## Step 3 Cleaning and care

Daily cleaning and care are required in order to keep the product shining and properly working.

- 1 Clean it with water and dry it with soft cloth.
- 2 Clean the product with gentle liquid or glass cleaner.
- 3 Don't use acid cleaner.
- 4 Don't clean with abrasive material, abrasive paper or knife.