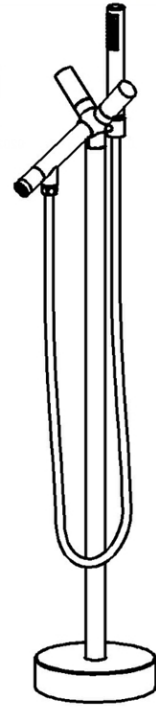


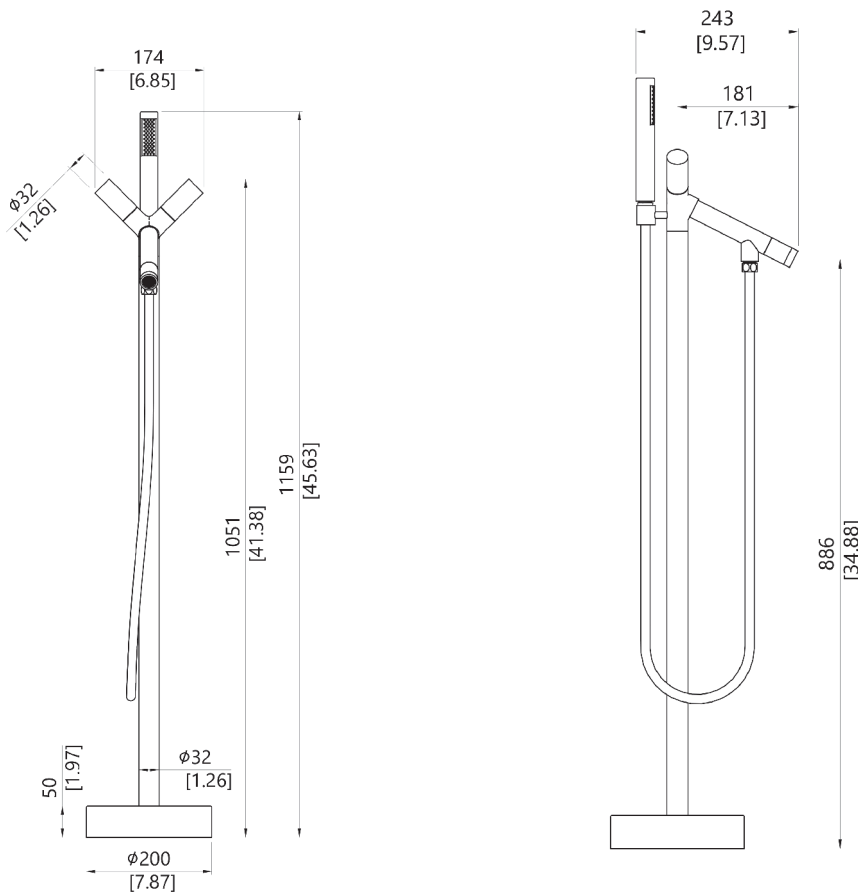
**INSTALLATION SPECIFICATION**

Model No.	F0125-BTF-MB
Description	Filler Faucet
Overall Dimensions	9.6"D×7.9"W×45.6"H
Flow Rate	3.1GPM
Faucet Height	45.6"
Spout Reach	7.1"
Spout Height	34.9"
Faucet Weight	8.8lbs
Faucet Certifications	cUPC,WaterMark,CE,ACS



**Brulon**  
Freestanding Tub  
Filler Faucet

All measurements are approximate. Measurements may vary +/- 1/2"



Unit:  $\frac{\text{mm}}{\text{in}}$