

## INSTALLATION SPECIFICATION

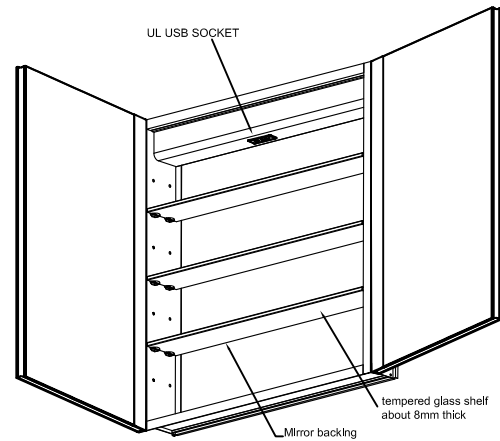
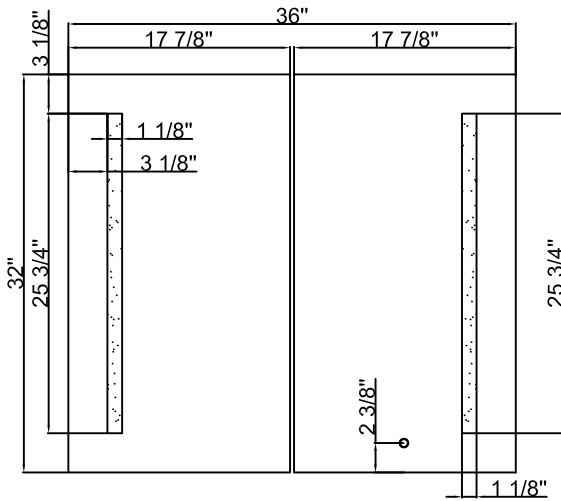
Model No.	758036-LED-MC
Description	LED Mirror Cabinet
Overall Dimensions	36" x 32" x 5"
LED light	CCT 3000K/4000K/6000K
Standard	110V,IP44 rated
Net weight(LBS)	57.3
Mirror Certification	ETL
Mount Type	Wall Mounted
Orientation	Vertical
Power Source	Hardwired right out of the box
Touch-Sensitive	Yes

# Catola

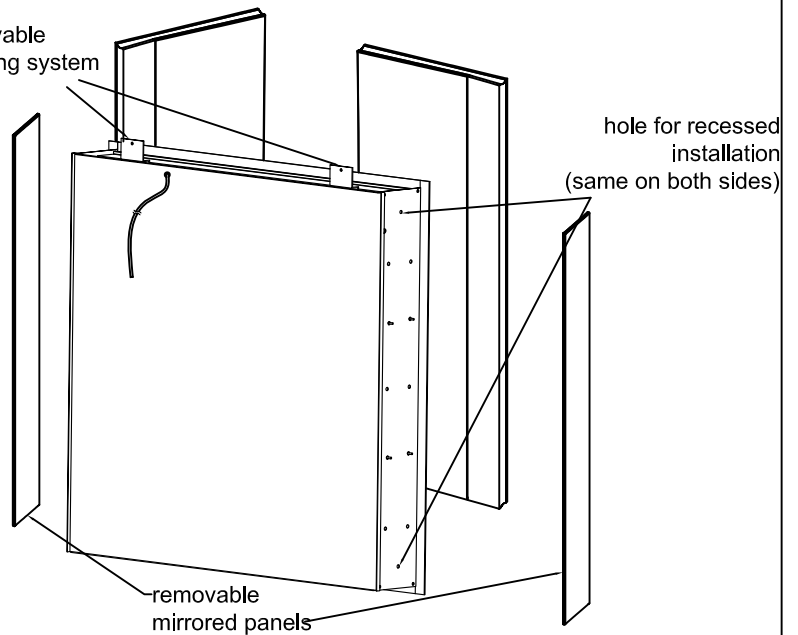
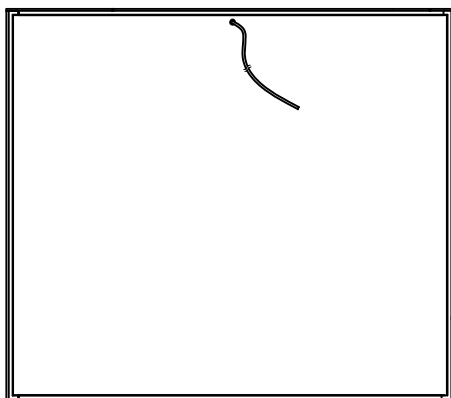
## 36"\*32"

### LED Mirror Cabinet

All measurements are approximate. Measurements may vary +/-1/2".



removable hanging system



ALTAIR