

# INSTALLATION SPECIFICATION

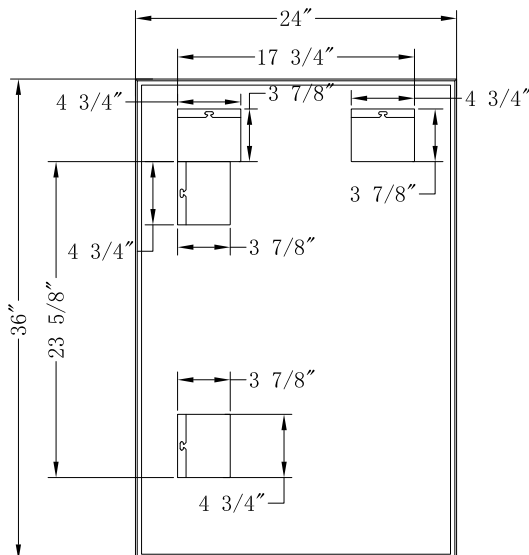
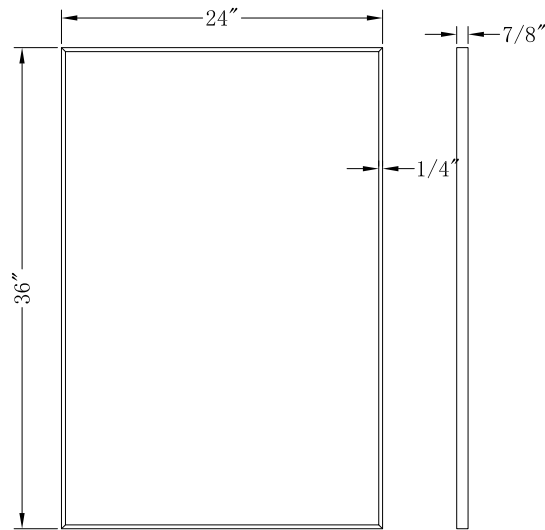
Model No.	755024-MIR-GF
Description	Bathroom Mirror
Overall Dimensions	W24"xH36"x D7/8"
Net weight(LBS)	15.3
Mount Type	Wall Mounted
Orientation	Horizontal and Vertical

All measurements are approximate. Measurements may vary +/-1/2".

# Sassi

## 24"x36"

Bathroom Mirror



**ALTAIR**