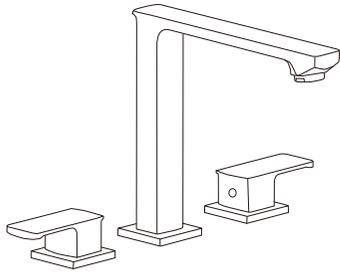
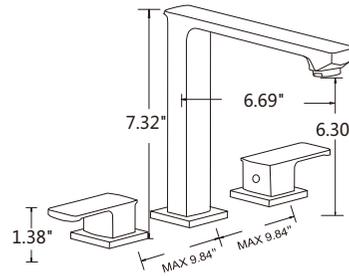


ANZZI™



**L-AZ189BN
L-AZ189ORB**

**THREE HOLES BATHROOM VESSEL FAUCET
SOLID BRASS
CERAMIC CARTRIDGE
FLOW RATE: 1.2GPM
LIMITED LIFETIME WARRANTY:**



PREPARATION

MAKE SURE TO SHUT OFF THE WATER FLOW FROM YOUR HOT AND COLD SUPPLY LINES.

MAKE SURE YOUR MOUNTING HOLE IS CUT TO SIZE.

Make sure your counter is no more than 1.18" thick.

The mounting holes should be 1.38" in diameter.

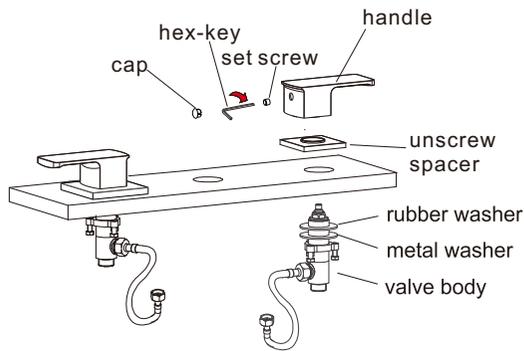
The center of each hole no more than spaced 9.84" apart.



ITEMS YOU MAY NEED.



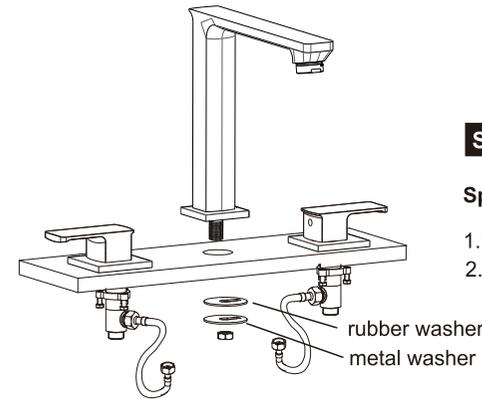
**NSF/ANSI 61
NSF/ANSI 372**



STEP 1

Handle installation

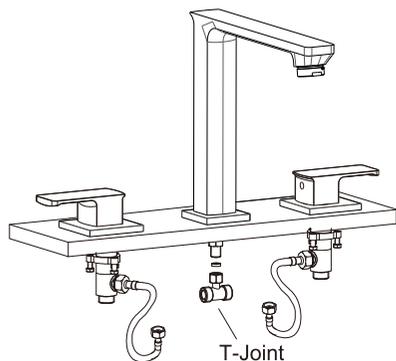
1. Use provided hex-key to loosen set screw.
2. Remove handle and unscrew spacer from valve body.
3. Place handle onto cartridge in desired position and tighten set screw with hex-key. Cover handle hole with hot/cold cap.



STEP 2

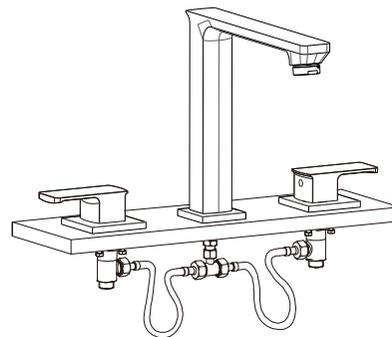
Spout installation

1. Disassemble the spout.
2. Place rubber washer, metal washer and nut in order and secure the nut.



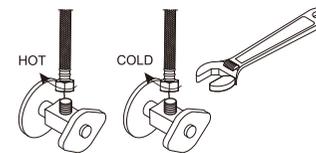
STEP 3

Connect and tighten the T-Joint to the shank.



STEP 4

Connect hoses from valve body to the T-Joint.



STEP 5

1. Connect the flexible hose (not included) to water supply valve (not included), and tighten it with adjustable wrench.

DON'T OVER TIGHTEN!

Caution: make sure to connect the hot and cold flexible hoses to supply valves correctly.

Warning:

**Supply valves and flex hoses not included.
Purchased separately.**