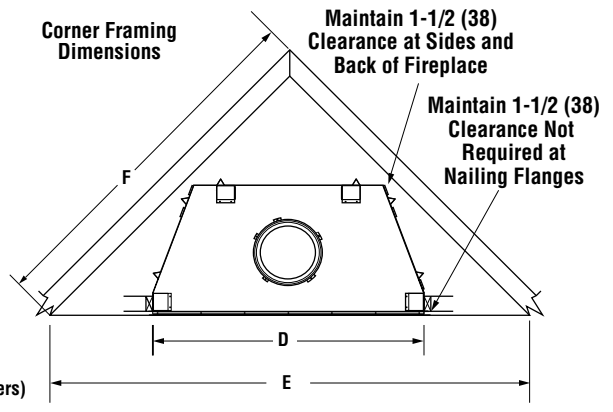
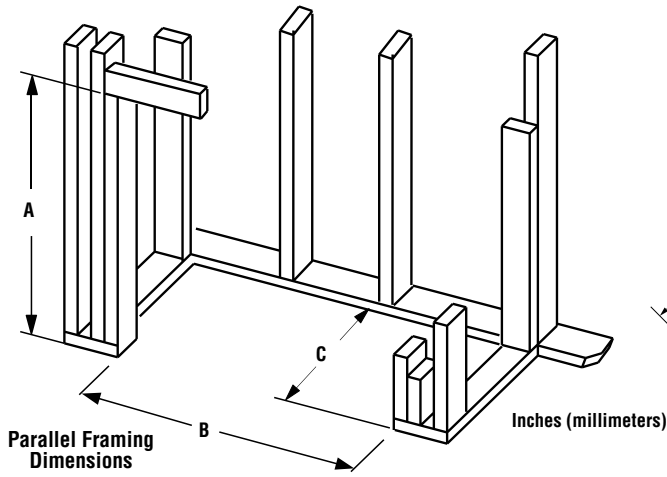


WRE6000 36/42/50 SERIES

OUTDOOR WOOD-BURNING FIREPLACES (Box only, Mosaic Masonry Brick Liner Required)

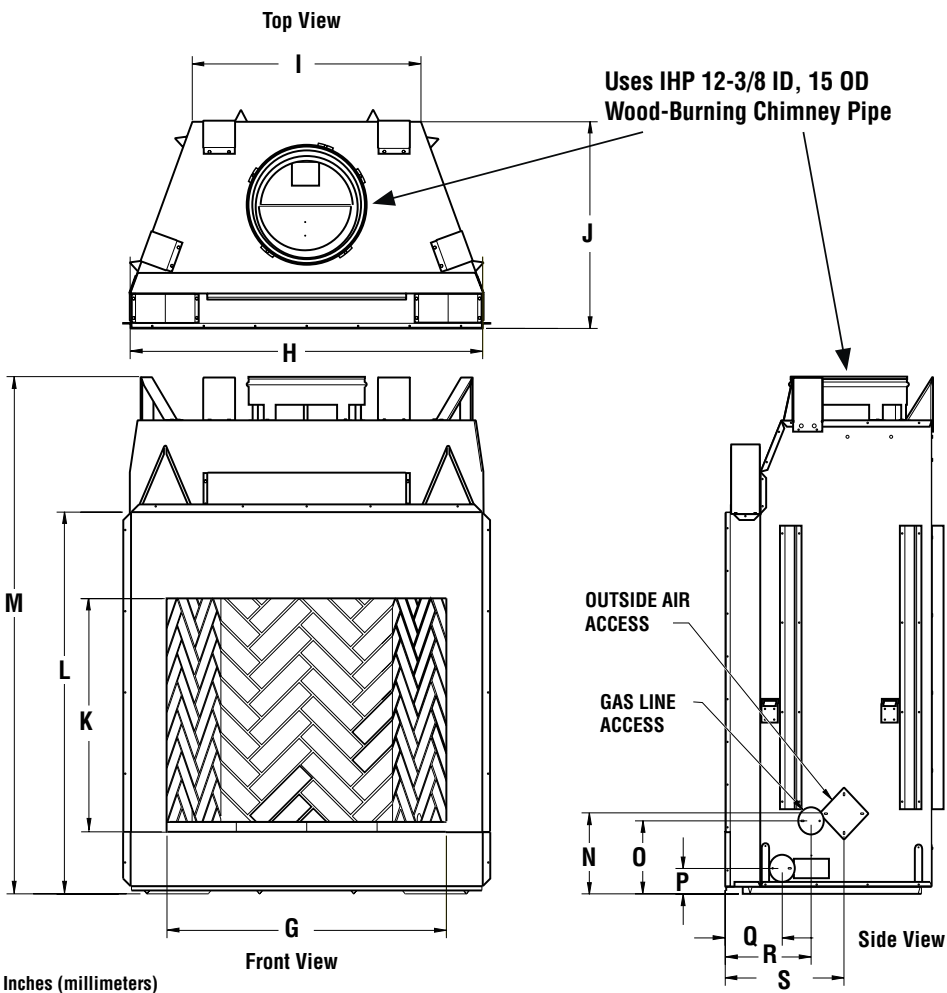
Framing Dimensions



| | 36" Models | 42" Models | 50" Models |
|----------|---------------|---------------|---------------|
| A | 67-1/8 (1705) | 67-1/8 (1705) | 67-1/8 (1705) |
| B | 45-5/8 (1159) | 51-5/8 (1312) | 59-3/4 (1518) |
| C | 28-1/4 (718) | 30-1/8 (766) | 30-1/8 (766) |

| | 36" Models | 42" Models | 50" Models |
|----------|---------------|---------------|---------------|
| D | 45-1/4 (1150) | 51-1/4 (1302) | 59-1/4 (1505) |
| E | 86-1/2 (2197) | 92 (2337) | 100 (2540) |
| F | 61 (1550) | 65 (1651) | 71 (1804) |

Fireplace Dimensions



| | 36" Model | 42" Model | 50" Model |
|----------|---------------|---------------|---------------|
| G | 36 (915) | 42 (1067) | 50 (1270) |
| H | 45-1/8 (1147) | 51-1/8 (1299) | 59-1/4 (1505) |
| I | 29 (737) | 30-1/2 (775) | 38-1/2 (978) |
| J | 26-5/8 (677) | 29 (737) | 29 (737) |
| K | 30 (762) | 30 (762) | 30 (762) |
| L | 49 (1245) | 49 (1245) | 49 (1245) |
| M | 67 (1702) | 67 (1702) | 67 (1702) |
| N | 10-1/2 (267) | 10-1/2 (267) | 10-1/2 (267) |
| O | 9-1/2 (242) | 9-1/2 (242) | 9-1/2 (242) |
| P | 3-1/2 (89) | 3-1/2 (89) | 3-1/2 (89) |
| Q | 7-1/4 (185) | 8-1/2 (216) | 8-1/2 (216) |
| R | 11 (280) | 13 (331) | 13 (331) |
| S | 15-1/4 (388) | 17 (432) | 17 (432) |

WRE6000 36/42/50 SERIES

Fireplace Reference Information

| Cat. No. | Model | Shipping Wt. | Shipping Vol. | Cat. No. | Model | Shipping Wt. | Shipping Vol. | Cat. No. | Model | Shipping Wt. | Shipping Vol. |
|----------|---------|--------------|---------------|----------|---------|--------------|---------------|----------|---------|--------------|---------------|
| F4222 | WRE6036 | 520 lb. | 131.6 cu. ft. | F4223 | WRE6042 | 645 lb. | 131.6 cu. ft. | F4224 | WRE6050 | 710 lb. | 131.6 cu. ft. |

Mosaic Masonry Brick Reference Information

| Cat. No. | Model | Shipping Wt. | Shipping Vol. |
|----------|--------------|--------------|---------------|
| F0334 | Mosaic36WRFS | 421 lb. | 24.5 cu. ft. |
| F0335 | Mosaic36WRSS | 421 lb. | 24.5 cu. ft. |
| F0336 | Mosaic36IVFS | 421 lb. | 24.5 cu. ft. |
| F0337 | Mosaic36IVSS | 421 lb. | 24.5 cu. ft. |
| F0338 | Mosaic36WRFH | 421 lb. | 24.5 cu. ft. |
| F0339 | Mosaic36WRSH | 421 lb. | 24.5 cu. ft. |
| F0340 | Mosaic36IVFH | 421 lb. | 24.5 cu. ft. |
| F0341 | Mosaic36IVSH | 421 lb. | 24.5 cu. ft. |
| F4521 | Mosaic36MIFS | 421 lb. | 24.5 cu. ft. |
| F4524 | Mosaic36MISS | 421 lb. | 24.5 cu. ft. |
| F4527 | Mosaic36MIFH | 421 lb. | 24.5 cu. ft. |
| F4530 | Mosaic36MISH | 421 lb. | 24.5 cu. ft. |
| F4533 | Mosaic36SGFS | 421 lb. | 24.5 cu. ft. |
| F4536 | Mosaic36SGSS | 421 lb. | 24.5 cu. ft. |
| F4539 | Mosaic36SGFH | 421 lb. | 24.5 cu. ft. |
| F4542 | Mosaic36SGSH | 421 lb. | 24.5 cu. ft. |

Mosaic Masonry Brick Reference Information

| Cat. No. | Model | Shipping Wt. | Shipping Vol. |
|----------|--------------|--------------|---------------|
| F0342 | Mosaic42WRFS | 445 lb. | 24.5 cu. ft. |
| F0343 | Mosaic42WRSS | 445 lb. | 24.5 cu. ft. |
| F0344 | Mosaic42IVFS | 445 lb. | 24.5 cu. ft. |
| F0345 | Mosaic42IVSS | 445 lb. | 24.5 cu. ft. |
| F0346 | Mosaic42WRFH | 445 lb. | 24.5 cu. ft. |
| F0347 | Mosaic42WRSH | 445 lb. | 24.5 cu. ft. |
| F0348 | Mosaic42IVFH | 445 lb. | 24.5 cu. ft. |
| F0349 | Mosaic42IVSH | 445 lb. | 24.5 cu. ft. |
| F4522 | Mosaic42MIFS | 445 lb. | 24.5 cu. ft. |
| F4525 | Mosaic42MISS | 445 lb. | 24.5 cu. ft. |
| F4528 | Mosaic42MIFH | 445 lb. | 24.5 cu. ft. |
| F4531 | Mosaic42MISH | 445 lb. | 24.5 cu. ft. |
| F4534 | Mosaic42SGFS | 445 lb. | 24.5 cu. ft. |
| F4537 | Mosaic42SGSS | 445 lb. | 24.5 cu. ft. |
| F4540 | Mosaic42SGFH | 445 lb. | 24.5 cu. ft. |
| F4543 | Mosaic42SGSH | 445 lb. | 24.5 cu. ft. |

Mosaic Masonry Brick Reference Information

| Cat. No. | Model | Shipping Wt. | Shipping Vol. |
|----------|--------------|--------------|---------------|
| F0350 | Mosaic50WRFS | 498 lb. | 24.5 cu. ft. |
| F0351 | Mosaic50WRSS | 498 lb. | 24.5 cu. ft. |
| F0352 | Mosaic50IVFS | 498 lb. | 24.5 cu. ft. |
| F0353 | Mosaic50IVSS | 498 lb. | 24.5 cu. ft. |
| F0354 | Mosaic50WRFH | 498 lb. | 24.5 cu. ft. |
| F0355 | Mosaic50WRSH | 498 lb. | 24.5 cu. ft. |
| F0356 | Mosaic50IVFH | 498 lb. | 24.5 cu. ft. |
| F0357 | Mosaic50IVSH | 498 lb. | 24.5 cu. ft. |
| F4523 | Mosaic50MIFS | 498 lb. | 24.5 cu. ft. |
| F4526 | Mosaic50MISS | 498 lb. | 24.5 cu. ft. |
| F4529 | Mosaic50MIFH | 498 lb. | 24.5 cu. ft. |
| F4532 | Mosaic50MISH | 498 lb. | 24.5 cu. ft. |
| F4535 | Mosaic50SGFS | 498 lb. | 24.5 cu. ft. |
| F4538 | Mosaic50SGSS | 498 lb. | 24.5 cu. ft. |
| F4541 | Mosaic50SGFH | 498 lb. | 24.5 cu. ft. |
| F4544 | Mosaic50SGSH | 498 lb. | 24.5 cu. ft. |

Listing Information



Report No. F09-095

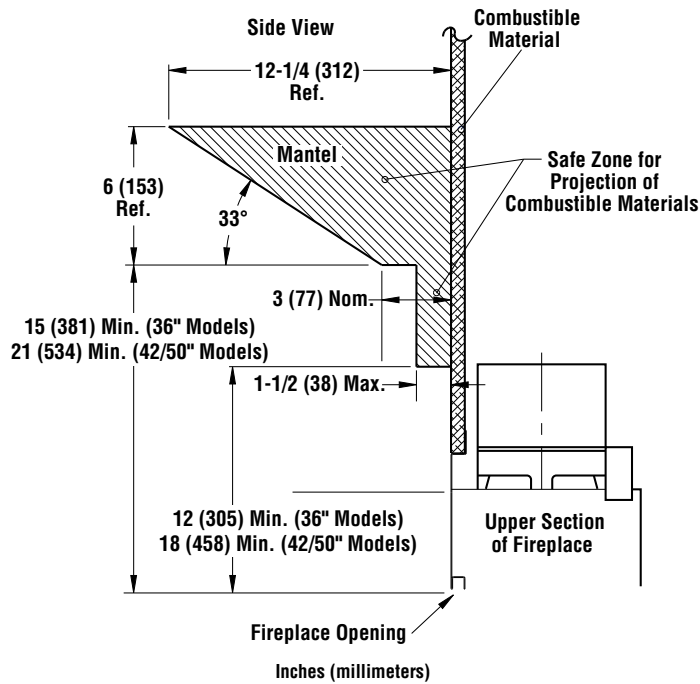
These fireplaces have been tested and approved by PFS Corporation under UL1277/ULC-S610 standard as a Factory Built Appliance and may be used with gas logs approved to ANSI Z21.60, Z21.84 or Z21.11.2 standards.

Product Information

Clearances

Venting

Mantel Clearances



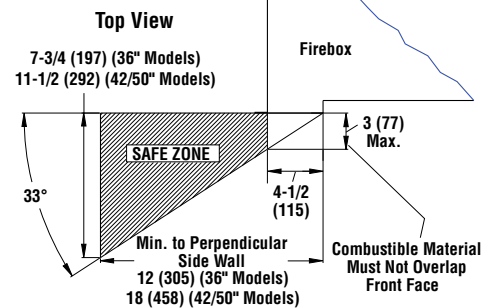
Clearances to Combustibles

| Description | Min. Clearance |
|--------------------------------------------------|----------------|
| Back and sides of fireplace | 1-1/2 (38)* |
| Ceiling | 42 (1067) |
| Front of fireplace | 48 (1220) |
| Floor | 0 (0)** |
| Perpendicular wall to opening (42" & 50" Models) | 18 (458) |
| Perpendicular wall to opening (36" Models) | 12 (305) |
| Top spacers | 0 (0) |
| Chimney outer pipe surface (42" & 50" Models) | 2 (51) |
| Chimney outer pipe surface (36" Models) | 1 (26) |

* Not required at nailing flanges

** See step 2 of Framing in the Installation and Operation Manual

Side Wall Clearances



Venting
Uses Standard (12DM) and Hi-Temp (12HT) Wood-Burning Chimney and Hi-Temp (12HT) Wood-Burning Chimney

