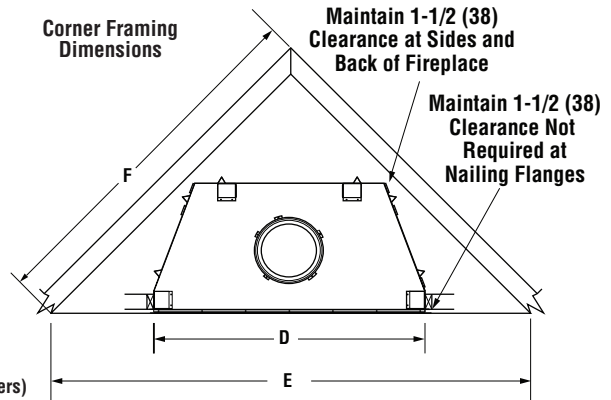
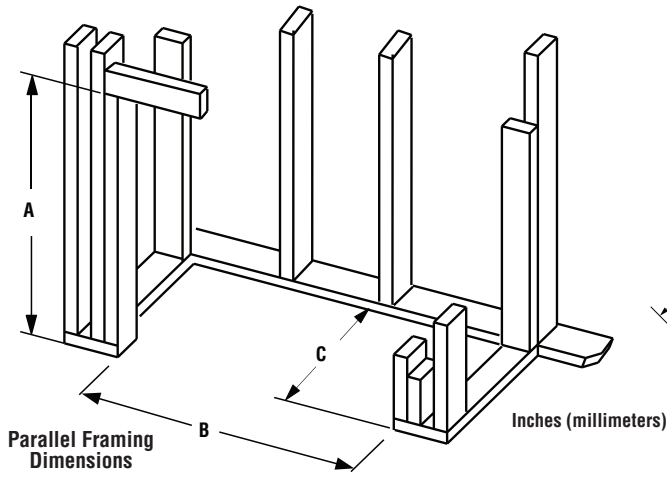


WRE4550 SERIES

OUTDOOR WOOD-BURNING FIREPLACES

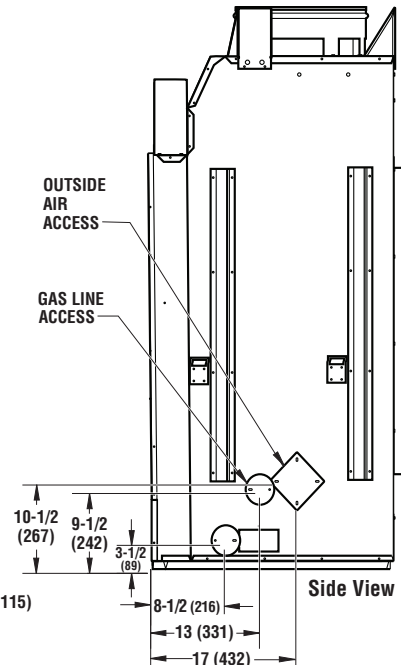
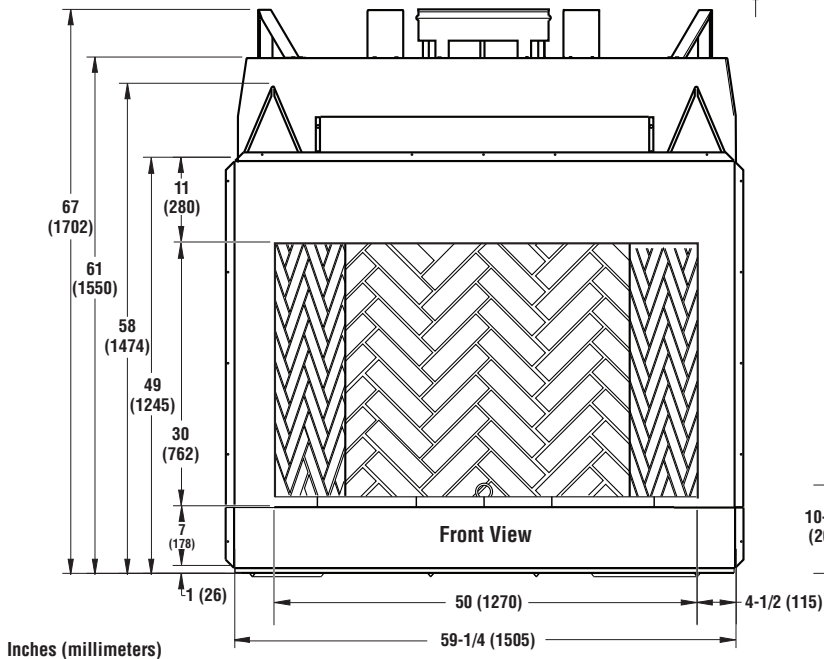
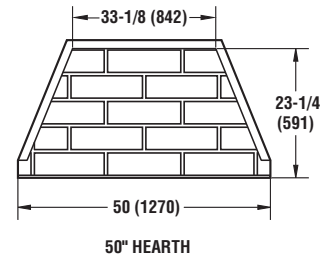
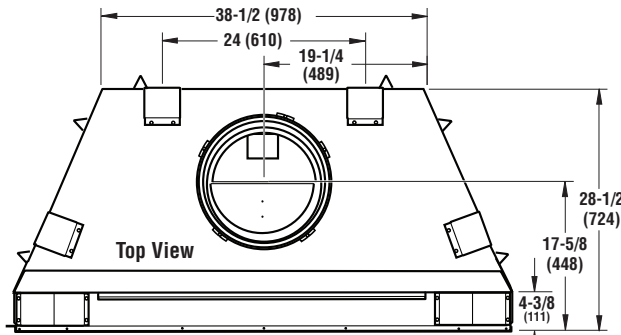
Framing Dimensions



	50" Models
A	67-1/8 (1705)
B	59-3/4 (1518)
C	30-1/8 (766)

	50" Models
D	59-1/8 (1502)
E	100 (2540)
F	71 (1804)

Fireplace Dimensions



WRE4550 SERIES

Product Information

Product Reference Information			
Cat. No.	Model	Shipping Weight	Shipping Volume
F0445	WRE4550RS	610 lb.	131.5 cu. ft.
F0446	WRE4550WS	610 lb.	131.5 cu. ft.
F0447	WRE4550RH	610 lb.	131.5 cu. ft.
F0448	WRE4550WH	610 lb.	131.5 cu. ft.

Listing Information



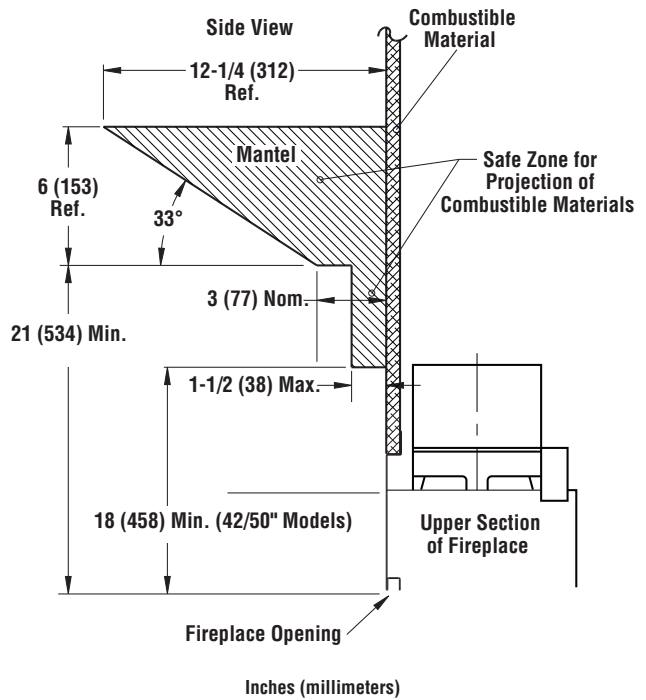
Report No. F09-095

These fireplaces have been tested and approved by PFS Corporation under UL127/ ULC-S610 standard as a Factory Built Appliance and may be used with gas logs approved to ANSI Z21.60, Z21.84 or Z21.11.2 standards.

Clearances to Combustibles	
Description	Min. Clearance
Back and sides of fireplace	1-1/2 (38)*
Ceiling	42 (1067)
Front of fireplace	48 (1220)
Floor	0 (0)**
Perpendicular wall to opening	18 (458)
Top spacers	0 (0)
Chimney outer pipe surface	2 (51)

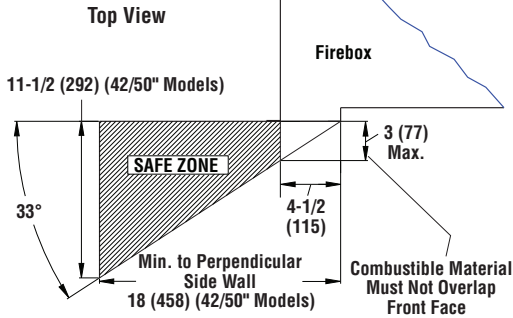
* Not required at nailing flanges
 ** See step 2 of Framing in the Installation and Operation Manual

Mantel Clearances



Clearances

Side Wall Clearances



Venting

Venting
 Uses Standard Wood Burning Chimney (12DM)

