

Superior
FIREPLACES®
Our name is our promise.



The DRC3000 Series is transitional style and value at its finest. Suited with contemporary standard features like reflective black crushed glass floor media and dancing yellow flames, the DRC3000 Series also features outstanding heating capabilities. Sleek. Elegant. Powerful. The epitome of modern value.



FEATURED DRC3035 with High Definition Log Set

EXCLUSIVE FEATURES

- 🔥 Available in 35", 40" and 45" models
- 🔥 Mid-size 17" depth saves installed floor space
- 🔥 Combination top/rear flue configuration
- 🔥 Electronic ignition with seamless battery backup provides continued operation in the event of a power outage (IPI/CPI switch standard)
- 🔥 Outstanding heating efficiency for increased comfort and lower operating costs
- 🔥 Standard tempered glass and a protective screen*
- 🔥 Reflective black crushed glass media included with optional colors available to customize the look
- 🔥 Black painted interior (optional liner available)
- 🔥 Optional blower and touch remote or hand-held remote control available for all models
- 🔥 Durable textured powder coat finish
- 🔥 20 year limited warranty

*All applicable models comply with ANSI Z21.50/88 barrier requirements.



INTERIOR



Black Painted Interior (Standard)



Black Porcelain Liner (Optional)

MEDIA



Reflective Black Crushed Glass (Standard)



Platinum Crushed Glass



Reflective Blue Crushed Glass



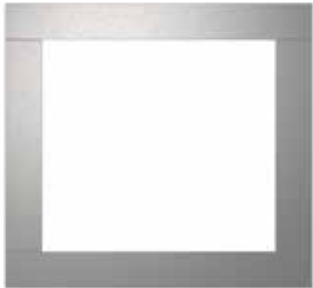
River Rock Assorted Set

LOG SETS

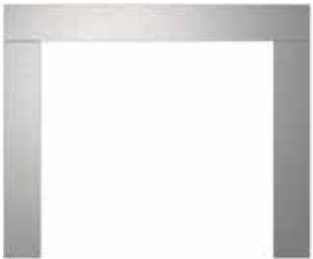


High-Definition Driftwood Log Set (40" Shown)

SURROUNDS



STAINLESS SURROUND Four-Sided



STAINLESS SURROUND Three-Sided

CONTROL OPTIONS

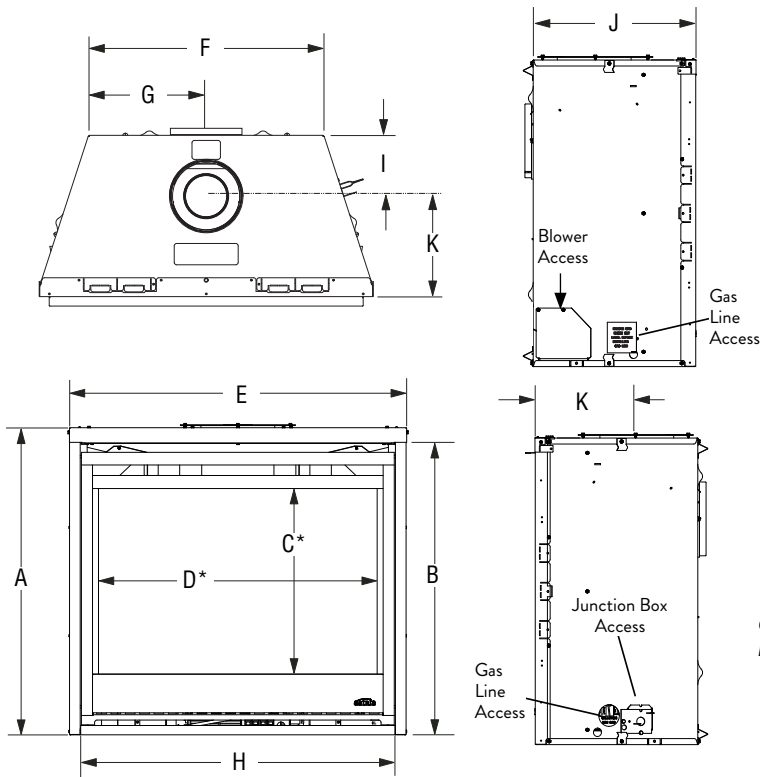


Thermostatic Remote (Optional)



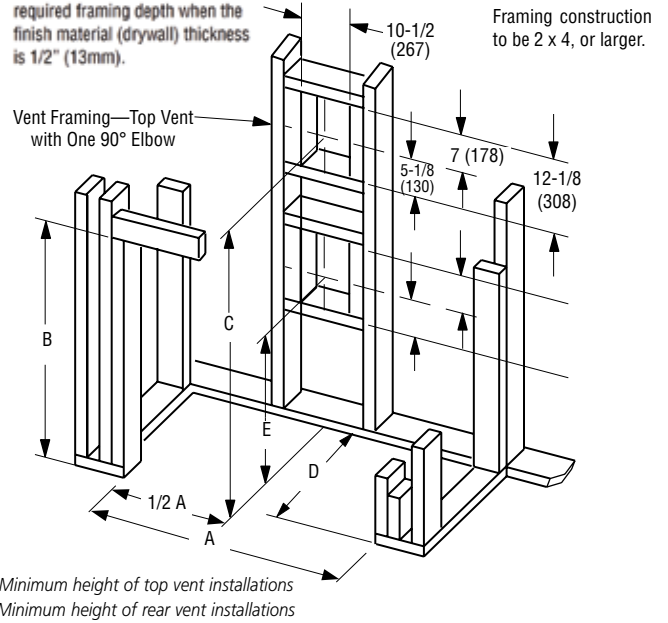
Hand-Held On/Off Remote (Optional)

APPLIANCE SPECIFICATIONS



FRAMING SPECIFICATIONS

NOTE: Dimension "D" is the required framing depth when the finish material (drywall) thickness is 1/2" (13mm).



	DRC3035	DRC3040	DRC3045
A	32-1/8"	37-1/8"	37-1/8"
B	30-1/2"	35-1/2"	35-1/2"
C	19-1/2"	24-1/2"	24-1/2"
D	29-1/4"	34-1/4"	39-1/4"
E	35-1/4"	40-1/4"	45-1/4"
F	25"	30"	35"
G	12-1/2"	15"	17-1/2"
H	32-7/8"	37-7/8"	42-7/8"
I	6-7/8"	6-7/8"	6-7/8"
J	17"	17"	17"
J	10-1/8"	10-1/8"	10-1/8"

	DRC3035	DRC3040	DRC3045
A*	35-7/8"	40-7/8"	45-7/8"
B	36-1/4"	41-1/4"	41-1/4"
C	38-3/4"	43-3/4"	43-3/4"
D	18-1/2"	18-1/2"	18-1/2"
E	23-3/8"	28-1/4"	28-1/4"

*Minimum opening size; additional 1/8" per side is recommended.

FIREPLACE EFFICIENCIES — Listed to ANSI Z21.88 as a gas fireplace heater.

MODEL	FUEL	BTU/HR	AFUE**	P4 / ENERGIDE*
DRC3035	NG	20,000-15,000	67.2%	64.8%
DRC3035	LP	18,000-15,000	66.0%	64.9%
DRC3040	NG	24,000-18,000	65.8%	63.9%
DRC3040	LP	23,000-18,000	66.5%	65.2%
DRC3045	NG	28,000-22,000	65.7%	62.9%
DRC3045	LP	27,000-20,000	66.2%	64.8%

*Intermittent ignition systems. Millivolt/Electronic.

**Annual Fuel Utilization Efficiency (AFUE) is the recognized U.S. rating system for the total efficiency of heating products.

IMPORTANT NOTES:

As with any fireplace, this appliance is extremely hot during operation. Read and understand all operating instructions before using this appliance. For further information, consult your dealer.

Local conditions, such as elevation, wind, vent configuration and choice of fuel will affect overall appearance of the fire and heating performance. Performance can also vary with home design and insulation, climate, condition and type of fuel used, appliance location, burn rate, accessories chosen, chimney installation and how the appliance is operated.

Diagrams, illustrations and photographs are not to scale—consult installation instructions. Product designs, materials, dimensions, specifications, colors and prices are subject to change or discontinuance without notice.

On the cover: DRC3040 shown with Reflective Black Crushed Glass and Black Porcelain Liner



© 2022 Innovative Hearth Products

785876M 02/22

