

# WRT3500 SERIES

WOOD BURNING FIREPLACES

**Superior**  
FIREPLACES®



## STANDARD FEATURES

- Available in 38" and 43" models
- Large smoke dome for reliable operation and unobstructed view
- Radiant smooth-faced design with durable textured powder finish
- Available with grey stacked or grey herringbone refractory panels
- Heavy duty log grate and floor with integrated ash lip
- Fully insulated firebox for increased performance in colder climates
- Includes concealable mesh fire screens
- Optional glass doors available in black trim finish for improved safety
- Optional gas log sets deliver the charm of a wood fire with the convenience of gas
- Includes adjustable outside air damper
- Optional outside air kits with flex duct and hood are available
- Uses IHP 12DM or 12HT (required for Canada) chimney system
- 20-year limited warranty

## INTERIOR PANEL



Grey Stacked



Grey Herringbone

## OPTIONAL GAS LOG SETS



Crescent Hill



Crescent Hill HD



Golden Oak



Boulder Mountain



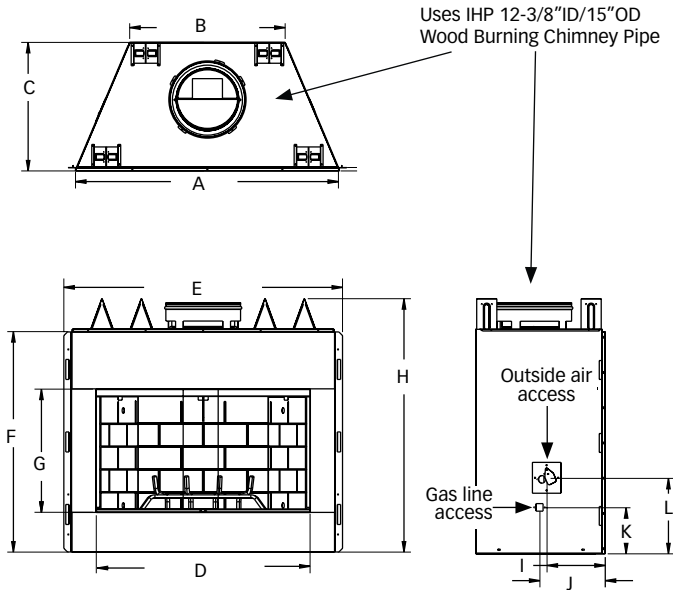
Rugged Stack



Wild Timber

## APPLIANCE SPECIFICATIONS

## FRAMING SPECIFICATIONS



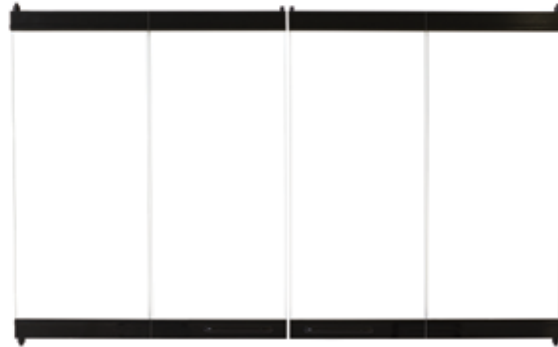
### WRT3538

### WRT3543

HEIGHT	50-7/8"	50-7/8"
WIDTH	49-1/4"	54"
DEPTH	26-1/4"	26-1/4"

### OPTIONAL ACCESSORIES

- Bi-fold glass doors
- Outside air kits
- Gas logs



Bi-fold tempered glass doors are expertly crafted.

### WRT3538

### WRT3543

A	48"	52-3/4"
B	26-3/8"	31-1/8"
C	25-3/4"	25-3/4"
D	38"	42-3/4"
E	50"	54-3/4"
F	44-1/8"	44-1/8"
G	24-5/8"	24-5/8"
H	50-3/4"	50-3/4"
I	11-5/8"	11-5/8"
J	13-1/8"	13-1/8"
K	9-1/4"	9-1/4"
L	15-1/8"	15-1/8"

#### IMPORTANT NOTES:

As with any fireplace, this appliance is extremely hot during operation. Read and understand all operating instructions before using this appliance. For further information, consult your dealer.

Local conditions, such as elevation, wind, vent configuration and choice of fuel will affect overall appearance of the fire and heating performance. Performance can also vary with home design and insulation, climate, condition and type of fuel used, appliance location, burn rate, accessories chosen, chimney installation and how the appliance is operated.

Diagrams, illustrations and photographs are not to scale—consult installation instructions. Product designs, materials, dimensions, specifications, colors and prices are subject to change or discontinuance without notice.

ON THE COVER: WRT3538 Fireplace with Grey Stacked Refractory Liner



© 2023 Innovative Hearth Products

785849M 04/23



Report #F09-171

