

# VRT/VCT 4000Z SERIES

VENT-FREE GAS FIREPLACE SYSTEMS

**Superior**  
FIREPLACES®



## STANDARD FEATURES

- Available in 32" and 36" models
- Millivolt (Remote-ready) or Electronic Ignition
- 99.9% heating efficiency
- Two tier burner with ember bed
- Highly detailed concrete logs
- Factory installed heat activated variable speed blower
- Durable textured powder-coat paint exterior/Std. black painted interior
- Integrated log grate
- Illuminated touch screen multi-function remote control
- 20 year limited warranty

## LINER



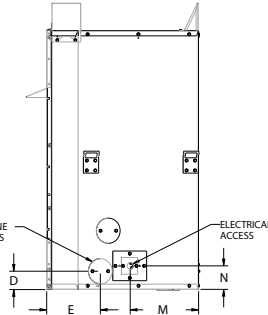
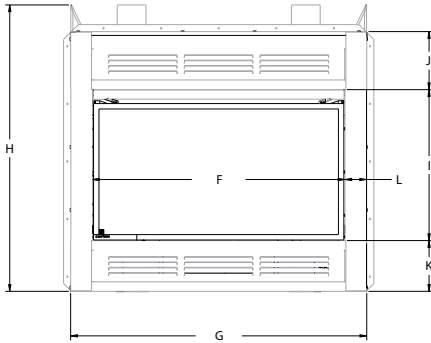
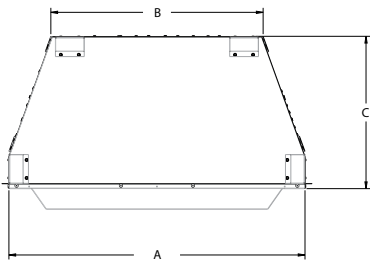
Vintage

## REMOTE



TRC T'stat On/Off Remote Kit

## APPLIANCE SPECIFICATIONS



### VRT4032

### VRT4036

A	34-1/2"	41-1/8"
B	22-1/2"	25"
C	16-3/4"	21-3/16"
D	3-1/2"	2-1/2"
E	6-13/16"	8-3/8"
F	29-3/8"	35-1/16"
G	34-1/2"	41-1/8"
H	36-1/2"	40-1/4"
I	18"	21"
J	7"	8"
K	7"	7"
L	2-1/2"	3"
M	3-1/2"	2-1/2"
N	6-13/16"	7-1/2"
O	10-1/2"	9-1/2"
P	3-1/4"	3-1/4"

#### IMPORTANT NOTES:

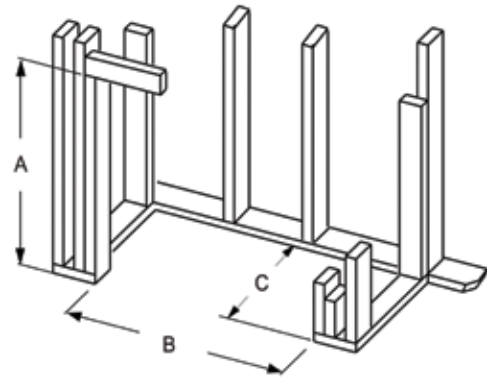
As with any heating appliance, fireplace or stove, this appliance is extremely hot during operation. Read and understand all operating instructions before using this appliance. For further information, consult your dealer.

Local conditions, such as elevation and choice of fuel will affect overall appearance of the fire and heating performance. Performance can also vary with home design and insulation, ceiling height, accessories chosen and appliance location.

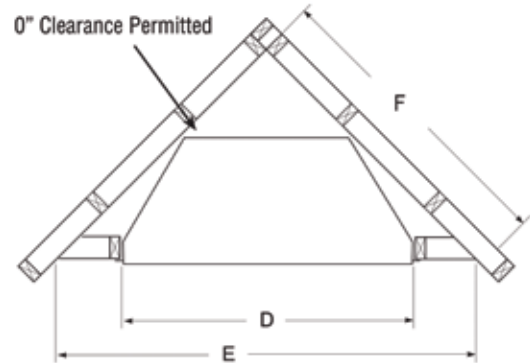
Diagrams, illustrations and photographs are not to scale — consult installation instructions. Product designs, materials, dimensions, specifications, colors and prices are subject to change or discontinuance without notice.

Built to ANSI Z21.11.2 standard and approved by PFS Test Laboratories. Consult your distributor for local fireplace code information.

## FRAMING SPECIFICATIONS



Models	A	B	C
32" Models	36-3/4" 934 mm	34-7/8" 886 mm	16-1/4" 413 mm
36" Models	40-1/2" 1029 mm	41-1/2" 1054 mm	20-3/4" 527 mm



Models	D	E	F
32" Models	34-1/2" 876 mm	55-5/8" 1413 mm	39-3/8" 1000 mm
36" Models	41-1/2" 1054 mm	71-1/4" 1810 mm	50-3/8" 1280 mm

## FIREPLACE EFFICIENCIES

MODEL	FUEL	BTU/HR	AFUE*
VRT4032 (Millivolt)	NG	17,000-25,000	99.9%
VRT4032 (Millivolt)	LP	17,000-25,000	99.9%
VRT4036 (Millivolt)	NG	20,000-33,000	99.9%
VRT4036 (Millivolt)	LP	20,000-33,000	99.9%
VRT4032 (Electronic)	NG	20,000-25,000	99.9%
VRT4032 (Electronic)	LP	20,000-25,000	99.9%
VRT4036 (Electronic)	NG	22,000-33,000	99.9%
VRT4036 (Electronic)	LP	22,000-33,000	99.9%

\*Annual Fuel Utilization Efficiency (AFUE) is the recognized U.S. rating system for the total efficiency of heating products.



© 2022 Innovative Hearth Products

785838M 03/22

