

# DRL2000 SERIES

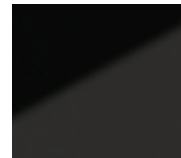
## LINEAR DIRECT VENT FIREPLACES



### STANDARD FEATURES

- 🔥 Available in a 35", 45", and 55" linear configured models
- 🔥 HeatFlo™ kit option allows heat to be directed above heat sensitive wall hangings (45" & 55" models only)
- 🔥 Electronic ignition with battery backup provides continued operation in the event of a power outage
- 🔥 Clean-face design with integrated tile stops for easy finishing
- 🔥 Decorative surrounds available to complement drywall finished applications
- 🔥 Outstanding heating efficiency for increased comfort and lower operating costs
- 🔥 Standard tempered glass and a protective screen\*
- 🔥 Reflective black crushed glass media included with several optional colors available to customize the look
- 🔥 Optional driftwood logs and river rocks are a perfect addition for a transitional design
- 🔥 Black painted interior (optional porcelain liner available)
- 🔥 Optional blower and hand-held remote controls available for all models
- 🔥 Durable textured powder coat finish
- 🔥 20 year limited warranty

### LINER



Black Porcelain Interior (Standard)



Reflective Black Glass Liner

### MEDIA



Platinum Crushed Glass (Standard)



Ref. Blue Crushed Glass



Ref. Black Crushed Glass



High-Definition Driftwood Log Sets



River Rock Assorted Set

### SURROUNDS



Black Surround



Stainless Surround

### REMOTE



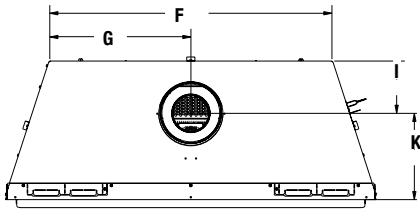
Thermostatic Remote (Optional)



Hand-Held On/Off Remote (Optional)

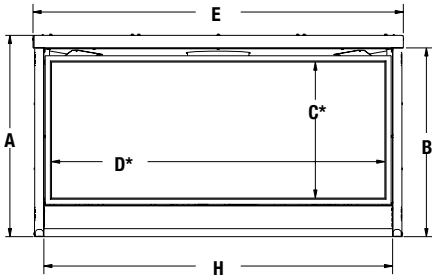
\*All applicable models comply with ANSI Z21.88 barrier requirements.

## APPLIANCE SPECIFICATIONS

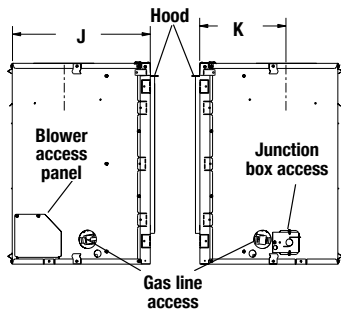


\* C and D are viewing area dimensions

TOP VIEW



FRONT VIEW



LEFT SIDE VIEW

RIGHT SIDE VIEW

	DRL2035	DRL2045	DRL2055
A	24-3/4"	24-3/4"	24-3/4"
B	23-1/4"	23-1/4"	23-1/4"
C	16-3/4"	16-3/4"	16-3/4"
D	30"	40"	50"
E	35-1/2"	45-1/2"	55-1/2"
F	24-3/4"	34-3/4"	44-3/4"
G	12-3/8"	17-3/8"	22-3/8"
H	32-7/8"	42-7/8"	52-7/8"
I	6-1/2"	6-1/2"	6-1/2"
J	17"	17"	17"
K	10-5/8"	10-5/8"	10-5/8"

### FIREPLACE BTU OPERATING RANGE

MODEL	FUEL	BTU/HR	AFUE	P4
DRL2035	NG	15,000-13,000	68.9	63.6
DRL2035	LP	14,000-12,000	53.7	62.8
DRL2045	NG	18,000-14,000	70.7	67.1
DRL2045	LP	16,000-13,000	56.6	64.5
DRL2055	NG	23,000-19,000	69.4	62.7
DRL2055	LP	21,000-17,000	64.8	64.4

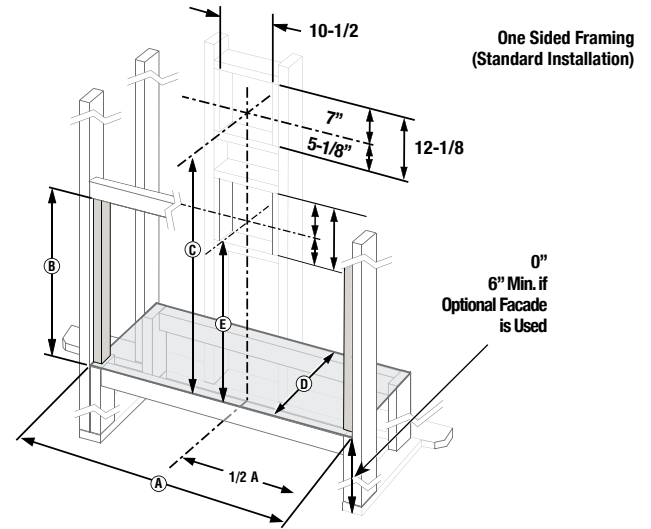
#### IMPORTANT NOTES:

As with any fireplace, this appliance is extremely hot during operation. Read and understand all operating instructions before using this appliance. For further information, consult your dealer. Local conditions, such as elevation and choice of fuel will affect overall appearance of the fire and heating performance. Performance can also vary with home design and insulation, ceiling height, accessories chosen and appliance location. Diagrams, illustrations and photographs are not to scale — consult installation instructions. Product designs, materials, dimensions, specifications, colors and prices are subject to change or discontinuance without notice.

**On the Cover:** DRL2055 fireplace with reflective black crushed glass media



## FRAMING SPECIFICATIONS



### DRL2000 FRAMING

MODEL	A	B	C	D	E
35" MODELS	35-7/8"	29"	42"	18"	31-1/2"
45" MODELS	45-7/8"	29"	42"	18"	31-1/2"
55" MODELS	55-7/8"	29"	42"	18"	N/A

C = Height for installations with 12" section directly off unit then elbow  
D = for flush framing.

E = Height for installations with elbow directly off unit (see note below)

\* Minimum opening size; additional 1/8" per side is recommended.

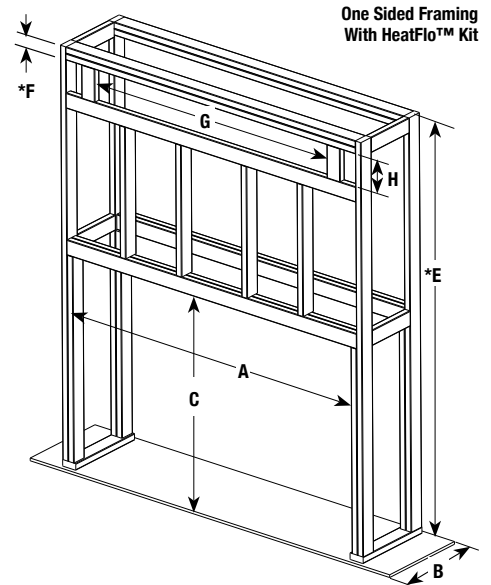
NOTE: Framing specifications do NOT apply for flexible venting. When using flexible venting, refer to the kit requirements for framing specifications.

NOTE: 35" & 45" model = Strongly recommend at least 1 ft of vertical rise directly off top of unit.

55" = 1 ft of vertical rise is required directly off unit.

### DRL2000 HEATFLO FRAMING

	45" One Sided Framing HeatFlo Kit	55" One Sided Framing HeatFlo Kit
A	45-7/8"	55-7/8"
B	18"	18"
C	29"	29"
E	81-1/2"	81-1/2"
F	1-1/2"	1-1/2"
G	43-1/2"	53-1/2"
H	5-1/8"	5-1/8"



E = Minimum height from appliance base to ceiling

F = Minimum opening distance from ceiling to allow for min distance from HeatFlo register to ceiling of 6"

REFER TO SPEC SHEET FOR COMPLETE SEE-THROUGH APPLICATIONS AND INSTRUCTIONS.

