

DRT6300 SERIES

DIRECT VENT GAS FIREPLACES

Superior
FIREPLACES®



STANDARD FEATURES

- Available in 40" and 45" models
- Gas controls are conveniently hidden to the side of the fireplace opening for easy installation and finishing
- Electronic ignition with battery backup to provide continued operation in the event of a power outage
- Exclusive burner design to generate amazing tall flame
- Flush hearth floor design
- Six flame settings for precise control
- Clean-face design features ceramic glass for optimum heat transfer and a protective screen*
- Premium, high definition Split Oak ceramic fiber log set with beautiful glowing ember bed
- Heavy duty log grate
- Interior liner selections consist of full three-piece black reflective porcelain or ceramic fiber
- Full function remote control (Flame, IPI/CPI)
- Available in dedicated power-vent models (Natural Gas only)
- 20 year limited warranty

*All applicable models comply with ANSI Z21.50/88 barrier requirements.

superiorfireplaces.us.com

INTERIOR



Black Reflective Porcelain



Buff Rustic



Buff Herringbone

ANDIRONS (OPTIONAL)



Classic Style



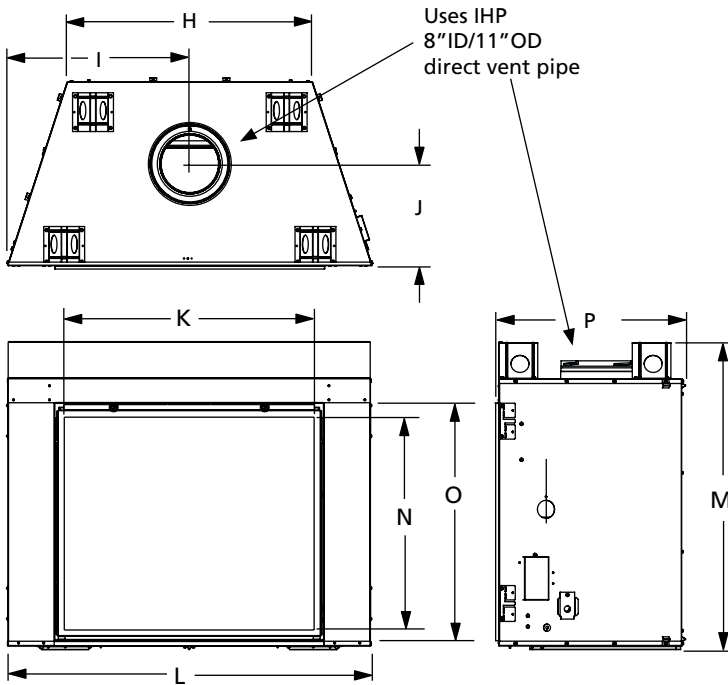
Mission Style

REMOTE



ProFlame II Remote

APPLIANCE SPECIFICATIONS



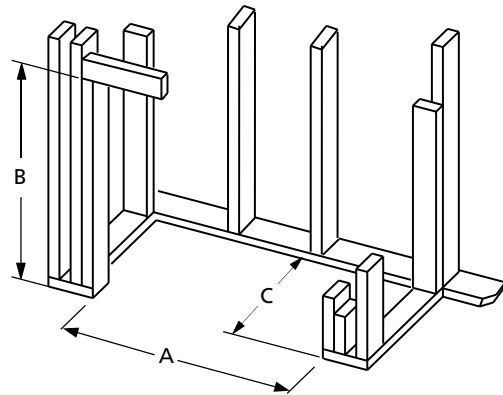
	DRT6340	DRT6345
H	34"	40-1/8"
I	25-5/16"	28-3/8"
J	14-1/8"	14-1/8"
K	34-3/4"	40-59/64"
L	50-5/8"	56-11/16"
M	45"	50"
N	29-9/32"	34-1/2"
O	33-3/32"	38-3/32"
P	26-15/32"	26-15/32"

FIREPLACE EFFICIENCIES — Listed to ANSI Z21.50 as a decorative gas appliance.

MODEL	FUEL	BTU/HR	P4/ENERGUIDE
DRT6340	NG	32,000/50,000	35.8%
DRT6340	LP	32,000/50,000	42.0%
DRT6340TYN	NG	26,500/42,000	47.0%
DRT6345	NG	40,000/57,000	47.2%
DRT6345	LP	43,000/56,000	47.0%
DRT6345TYN	NG	35,000/48,000	47.2%

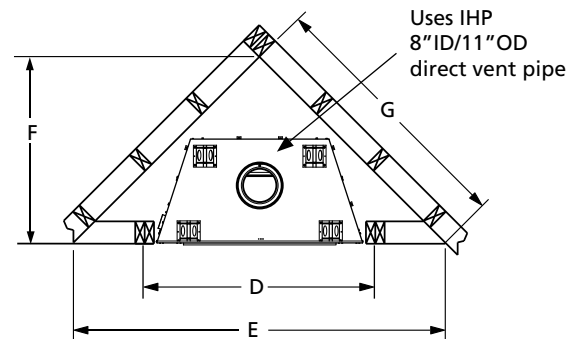
On the Cover: DRT6340 shown with Buff Rustic ceramic fiber liners and Split Oak log set.

FRAMING SPECIFICATIONS



	DRT6340	DRT6345
A	50-3/4"	56-7/8"
B	45"	50"
C	26"	26"

CORNER FRAMING SPECIFICATIONS



	DRT6340	DRT6345
D	50-5/8"	56-3/4"
E	83-5/8"	89-7/8"
F	41-7/8"	44-7/8"
G	59-1/8"	63-1/2"

IMPORTANT NOTES:

As with any fireplace, this appliance is extremely hot during operation. Read and understand all operating instructions before using this appliance. For further information, consult your dealer.

Local conditions, such as elevation, wind, vent configuration and choice of fuel will affect overall appearance of the fire and heating performance. Performance can also vary with home design and insulation, climate, condition and type of fuel used, appliance location, burn rate, accessories chosen, chimney installation and how the appliance is operated.

Diagrams, illustrations and photographs are not to scale—consult installation instructions. Product designs, materials, dimensions, specifications, colors and prices are subject to change or discontinuance without notice.

