

DRT4000 SERIES

DIRECT VENT GAS FIREPLACES



FEATURES

- Available in 40" and 45" models
- Full-size 21" deep models offer a larger fireplace interior and log arrangement
- Combination top/rear flue configuration
- Electronic ignition with seamless battery backup provides continued operation in the event of a power outage (IPI/CPI switch standard).
- Outstanding heating efficiency for increased comfort and lower operating costs
- Standard tempered glass and a protective screen*
- Beautifully crafted high-definition ceramic fiber log set with heavy-duty grate
- Black painted interior (optional liners available)
- Optional blower and touch remote or hand-held remote control available for all models
- Durable textured powder coat finish
- 20 year limited warranty

*All applicable models comply with ANSI Z21.50/88 barrier requirements.

superiorfireplaces.us.com

INTERIOR

Optional liners (Black Painted Interior is standard).



Porcelain Liner Kit (Black)



Blackstone



Greystone



Blended Brown

STAINLESS SURROUNDS (OPTIONAL)



Four-Sided



Three-Sided

REMOTE

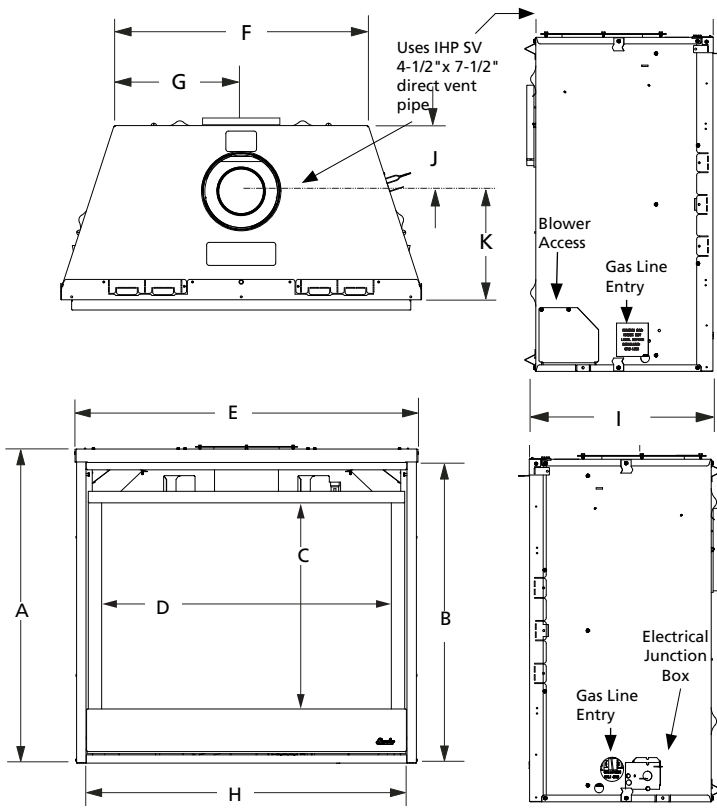


Thermostatic Remote (Optional)



Hand-Held On/Off Remote (Optional)

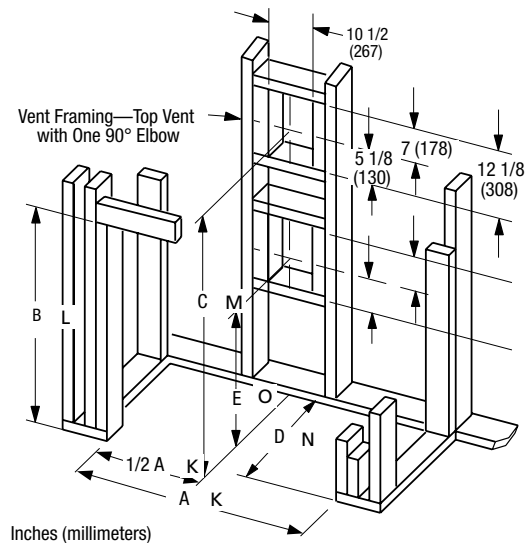
APPLIANCE SPECIFICATIONS



	DRT4040	DRT4045
A	37-1/8"	37-1/8"
B	34-5/8"	34-5/8"
C	24-1/2"	24-1/2"
D	34-14"	39-1/4"
E	40-1/4"	45-1/4"
F	30"	35"
G	15"	17-1/2"
H	37-7/8"	42-7/8"
I	6-7/8"	6-7/8"
J	21"	21"

On the cover: DRT4040 shown with Greystone Liner

FRAMING SPECIFICATIONS



	DRT4040	DRT4045
K	40-7/8"	45-7/8"
L	41-1/4"	41-1/4"
M	43-3/4"	43-3/4"
N	23"	23"
O	28-1/4"	28-1/4"

FIREPLACE EFFICIENCIES — Listed to ANSI Z21.88 as a gas fireplace heater.

MODEL	FUEL	BTU/HR	AFUE**	P4 / ENERGYGUIDE*
DRT4040	NG	28,000-20,000	57.8%	57.1%
DRT4040	LP	25,000-18,000	54.9%	58.6%
DRT4045	NG	31,000-21,000	57.6%	59.6%
DRT4045	LP	31,000-20,000	59.5%	62.8%

*Intermittent ignition systems.

**Annual Fuel Utilization Efficiency (AFUE) is the recognized U.S. rating system for the total efficiency of heating products.

IMPORTANT NOTES:

As with any fireplace, this appliance is extremely hot during operation. Read and understand all operating instructions before using this appliance. For further information, consult your dealer.

Local conditions, such as elevation, wind, vent configuration and choice of fuel will affect overall appearance of the fire and heating performance. Performance can also vary with home design and insulation, climate, condition and type of fuel used, appliance location, burn rate, accessories chosen, chimney installation and how the appliance is operated.

Diagrams, illustrations and photographs are not to scale—consult installation instructions. Product designs, materials, dimensions, specifications, colors and prices are subject to change or discontinuance without notice.



© 2022 Innovative Hearth Products

785818M 03/22

