

# DRT3000 SERIES

DIRECT VENT GAS FIREPLACES



## STANDARD FEATURES

- Available in 35", 40" and 45" models
- Mid-size 17" depth saves installed floor space
- Combination top/rear flue configuration
- Millivolt or Electronic ignition models available
- Electronic ignition models include seamless battery backup and provides continued operation in the event of a power outage (IPI/CPI switch standard)
- Outstanding heating efficiency for increased comfort and lower operating costs
- Standard tempered glass and a protective screen\*
- Detailed ceramic fiber log set
- Black painted interior (optional liners available)
- Optional blower and touch remote or hand-held remote control available for all models
- Durable textured powder coat finish
- 20 year limited warranty

\*All applicable models comply with ANSI Z21.50/88 barrier requirements.

[superiorfireplaces.us.com](http://superiorfireplaces.us.com)

## INTERIOR

Optional liners (Black Painted Interior is standard).



Porcelain Liner Kit (Black)



Blackstone



Greystone



Blended Brown

## STAINLESS SURROUNDS (OPTIONAL)



Four-Sided



Three-Sided

## REMOTE

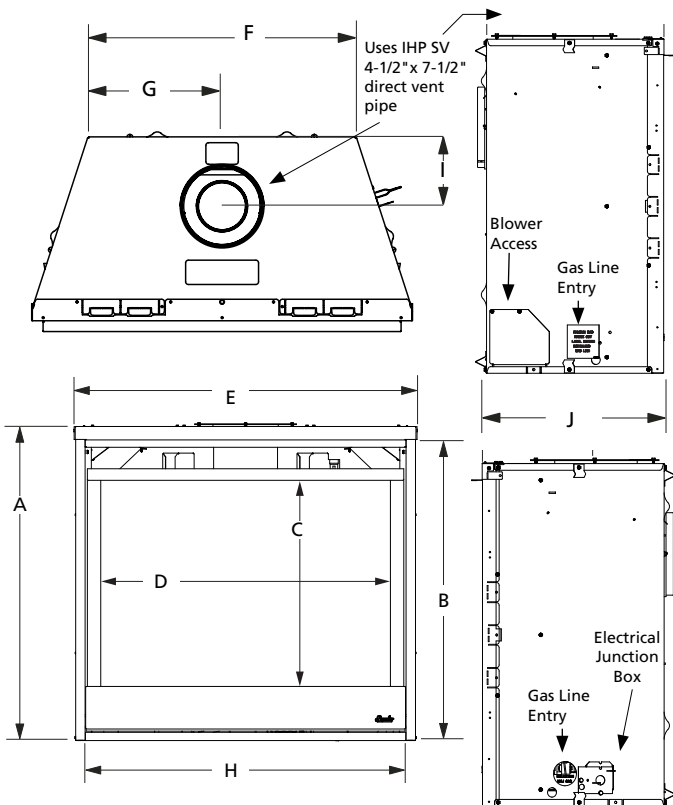


Thermostatic Remote (Optional)



Hand-Held On/Off Remote (Optional)

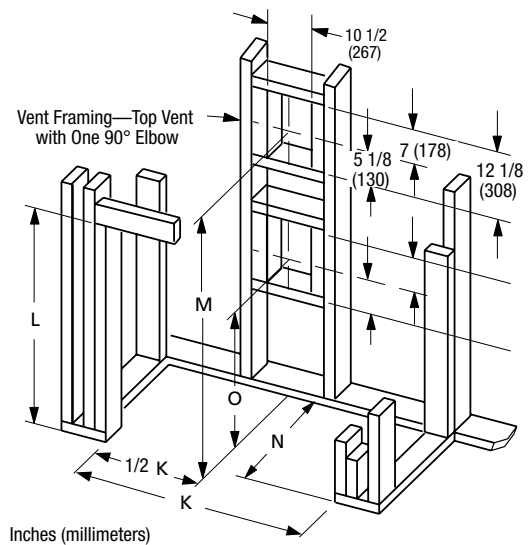
## APPLIANCE SPECIFICATIONS



	DRT3035	DRT3040	DRT3045
A	32-1/8"	37-1/8"	37-1/8"
B	26-5/8"	34-5/8"	34-5/8"
C	19-1/2"	24-1/2"	24-1/2"
D	29-1/4"	34-14"	39-1/4"
E	35-1/4"	40-1/4"	45-1/4"
F	25"	30"	35"
G	12-1/2"	15"	17-1/2"
H	32-7/8"	37-7/8"	42-7/8"
I	6-7/8"	6-7/8"	6-7/8"
J	17"	17"	17"

On the cover: DRT3040 shown with Blended Brown Liner

## FRAMING SPECIFICATIONS



	DRT3035	DRT3040	DRT3045
K	35-7/8"	40-7/8"	45-7/8"
L	36-1/4"	41-1/4"	41-1/4"
M	38-3/4"	43-3/4"	43-3/4"
N	18-1/2"	18-1/2"	18-1/2"
O	23-3/8"	28-1/4"	28-1/4"

### FIREPLACE EFFICIENCIES — Listed to ANSI Z21.88 as a gas fireplace heater.

MODEL	FUEL	BTU/HR	AFUE**	P4 / ENERGYGUIDE*
DRT3035	NG	20,000	62.7%	63.3%
DRT3035	LP	17,000	67.3%	62.4%
DRT3040	NG	24,000	69.8%	64.8%
DRT3040	LP	24,000	67.7%	63.8%
DRT3045	NG	28,000	70.0%	64.2%
DRT3045	LP	27,000	69.3%	65.4%

\*Intermittent ignition systems. Millivolt/Electronic.

\*\*Annual Fuel Utilization Efficiency (AFUE) is the recognized U.S. rating system for the total efficiency of heating products.

### IMPORTANT NOTES:

As with any fireplace, this appliance is extremely hot during operation. Read and understand all operating instructions before using this appliance. For further information, consult your dealer.

Local conditions, such as elevation, wind, vent configuration and choice of fuel will affect overall appearance of the fire and heating performance. Performance can also vary with home design and insulation, climate, condition and type of fuel used, appliance location, burn rate, accessories chosen, chimney installation and how the appliance is operated.

Diagrams, illustrations and photographs are not to scale—consult installation instructions. Product designs, materials, dimensions, specifications, colors and prices are subject to change or discontinuance without notice.



© 2022 Innovative Hearth Products

785816M 03/22

