

Superior
FIREPLACES®
Our name is our promise.



TRADITIONAL

Premium outdoor vent-free gas fireplace features rugged stainless steel components, an exceptionally tall opening, detailed charred oak log set, powerful 50,000 BTU burner and adjustable heat output to capture the feel of a real wood burning fireplace.



FEATURED VRE4342 with White Stacked refractory panels

EXCLUSIVE FEATURES

- Available in 36" and 42" radiant smooth-faced models
- Battery operated electronic ignition
- Random, dancing yellow flames with realistic lava rock ember bed
- High definition ceramic fiber log set
- White refractory panels in stacked or herringbone patterns
- Heavy duty stainless steel log grate with burner and concealed gas control valve
- Stainless steel screens
- Optional bi-fold glass doors, hood and weather cover
- Stainless steel construction for long lasting outdoor use
- 20 year limited warranty



FEATURED VRE4342 White Herringbone panel and Campfire style log set

INTERIOR PANEL OPTIONS

(Required)

Choose from White Stacked or White Herringbone refractory panels.



White Stacked



White Herringbone

ADDITIONAL ACCESSORIES

- Stainless Steel Drain Pan
 - Stainless Steel Heat Deflecting Hood
-

EXTERIOR OPTIONS

(Optional)

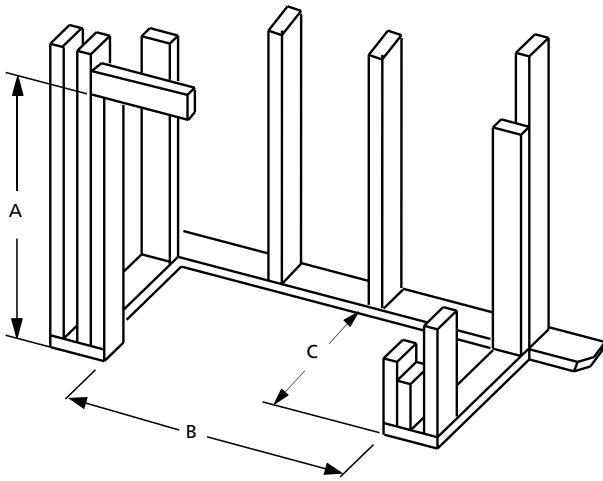


Stainless Steel Weather Cover



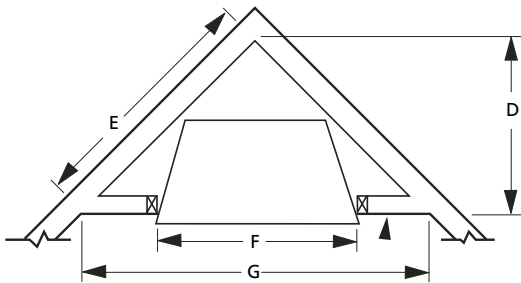
Bi-Fold Glass Doors and Hood

FLAT WALL FRAMING SPECIFICATIONS



	VRE4336	VRE4342
A	46-1/2"	46-1/2"
B	42-3/4"	48-3/4"
C	20-1/2"	20-1/2"

CORNER FRAMING SPECIFICATIONS



	VRE4336	VRE4342
D	31-3/4"	34-3/4"
E	44-3/16"	49-1/8"
F	42-3/4"	48-3/4"
G	63-1/2"	69-1/2"

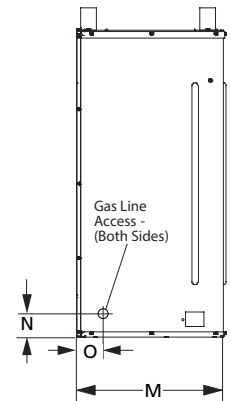
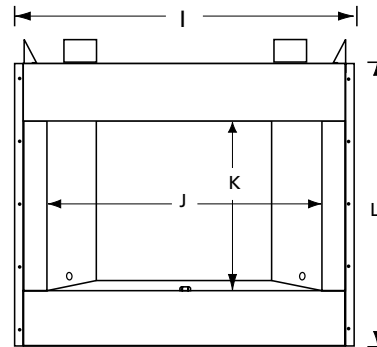
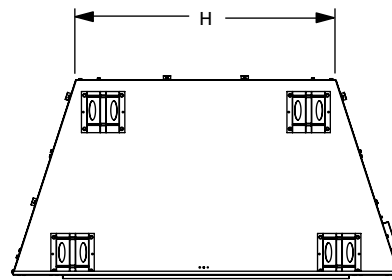
IMPORTANT NOTES:

As with any fireplace, this appliance is extremely hot during operation. Read and understand all operating instructions before using this appliance. For further information, consult your dealer.

Local conditions, such as elevation, wind, vent configuration and choice of fuel will affect overall appearance of the fire and heating performance. Performance can also vary with home design and insulation, climate, condition and type of fuel used, appliance location, burn rate, accessories chosen, chimney installation and how the appliance is operated.

Diagrams, illustrations and photographs are not to scale—consult installation instructions. Product designs, materials, dimensions, specifications, colors and prices are subject to change or discontinuance without notice.

APPLIANCE SPECIFICATIONS



	VRE4336	VRE4342
H	23-1/2"	29-1/2"
I	41-3/4"	47-3/4"
J	37"	43"
K	28-1/2"	28-1/2"
L	41-5/16"	41-5/16"
M	20"	20"
N	1-3/4"	1-3/4"
O	4-3/8"	4-3/8"

FIREPLACE BTU OPERATING RANGE

MODEL	FUEL	BTU/HR
VRE4336	NG	39,500-50,000
VRE4336	LP	37,000-46,000
VRE4342	NG	39,500-50,000
VRE4342	LP	37,000-46,000

