

5Seconds™
Material Handling and More...



**INDUSTRIAL & COMMERCIAL
EQUIPMENT**

PRODUCT CATALOG

2024

CATALOG VOLUME 1

800-215-6448

5secondsbrand.com



Accelerating Progress, Empowering Communities

Welcome to 5Seconds Brand, one of the industry leaders in commercial, industrial, and material handling equipment in North America. With a focus on providing high-quality commercial and industrial solutions in material handling, packaging equipment, and sanitary ware, we are committed to not only meeting commercial goals, but also to building and sustaining a stronger economic presence for people.

Who We Are

5Seconds is the fastest growing manufacturer of innovative commercial and industrial products in North America. We prioritize our customers, offering top-notch products, expertise, and operational efficiency, all aimed at delivering a unique and enjoyable experience.

- Comprehensive Tools for Industrial Management
- Wide Array of Product Choices
- Competitive Pricing
- Swift Dispatch for Most Orders
- Extended Service Options

Our Mission

Empowering Efficiency, Enhancing Lives

Our mission is clear: to help people and businesses work faster, safer, and more efficiently in a diverse range of environments including schools, factories, universities, hospitals, hotels, airports, workplaces, and other public as well as recreational places.

What Sets Us Apart

- Rapid Growth and Innovation

As an industry leader in our field, we pride ourselves on innovation and progress. Our dynamic approach ensures that we're always ahead of the curve, offering cutting-edge solutions that address the evolving needs of industries.

- Excellence in Quality

We believe that excellence is non-negotiable. All our industrial and commercial products undergo rigorous quality checks to ensure they meet the highest industry standards. This dedication to quality guarantees that our customers receive products they can trust.

- Community-Centric Focus

We are not just in the business of products; we're in the business of building stronger communities. By supporting local economies and creating job opportunities, we contribute to the overall economic prosperity of the regions we serve.

- Versatile Solutions

From sanitary-ware solutions that prioritize hygiene, to robust material handling and efficient packaging equipment, our product range is designed to meet the diverse demands of industries across North America.

MODEX SHOW



5Seconds™

Material Handling and More...

T
N
E
T
N
O
C

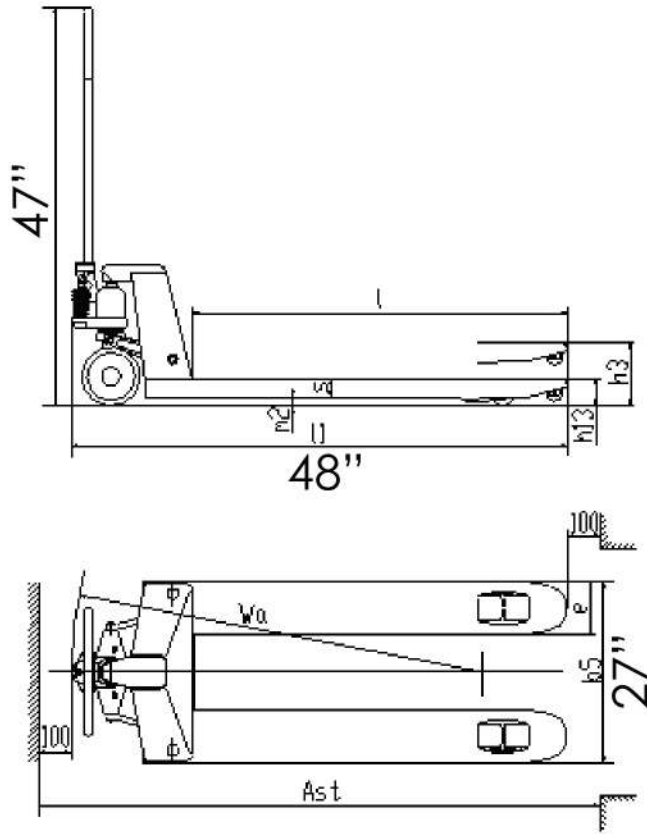
- 01 TYSON500**
Handle Pallet Jack
- 02 TYSON300**
Pallet Jack W/Scale
- 03 TYSON750**
Electric Pallet Jack
- 04 BOONE**
Platform Cart
- 05 BOONE**
Platform Cart
- 06 BOONE DIAMOND**
Diamond Platform Cart
- 07 PALLET STRAPING MACHINE**
Semi Auto Pallet Straping Machine
- 08 BOX STRAPPING MACHINE**
Semi Auto Box Strapping Machine

- 09 AUTOMATIC STRAPPING MACHINE**
Strapping Machine
- 10 CEILING TILES**
Reversible Ceiling Machine
- 11 BLUE**
3 Steps Folding Ladder
- 12 BLUE**
4 Steps Folding Ladder
- 13 HAND TRUCK**
Industrial Hand Truck
- 14 SHRINK WRAP**
Industrial Shrink Wrap
- 15 WPC WALL PANEL**
Accent Walls Solutions
- 17 WALL GUARD**
Wall Guard Double Sided
- 18 MINI TURBO**
High Velocity Hand Dryer
- 19 OPTIMIZER**
High Velocity Hand Dryer
- 20 ULTIMATE**
High Velocity Hand Dryer

TYSON™



Pallet Truck offers rugged construction and excellent pricing! Tapered forks feature entry rollers to ease pallet entry. Spring-loaded safety loop handle features a 3-function hand control operation (raise, neutral and lower). 3" lowered and 7.5" raised height. 7" polyurethane steering wheels. 3" polyurethane fork wheels. Chrome pump piston features a dust cover to protect the hydraulics. Skid Jack features non-marking polyurethane steer and load wheels, and the frame has a scratch-resistant powder coat finish. Designed for use in 1 to 2 Shift operations. 1 Year Limited Warranty.



- Essential tool to any commercial, industrial, & working environment
- Simply load the 48" x 21" fork platform (with a low profile height of 2.9")
- Features 6-1/2" Polyurethane Steer Wheels & 3" Polyurethane Load Wheels
- Great for weighing pallets, drums, containers, IBC totes, & many other items
- Durable Industrial Steel frame is 1/4" thick with 200% overload protection
- Great for protection against impacts & heavy-duty use
- Easy to use and weighs in LB or KG

SKU No.	Brand	Description	Capacity	Dimensions LxWxH (in)	Weight
555013	5Seconds	Hand Pallet Jack	5500LBS	48 x 27 x 47	135LBS
555019	5Seconds	Hand Pallet Jack	5500LBS	48 x 21 x 47	135LBS

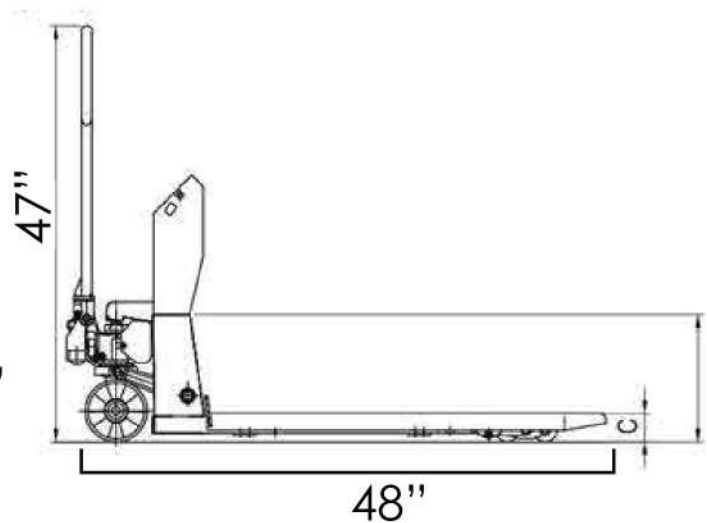
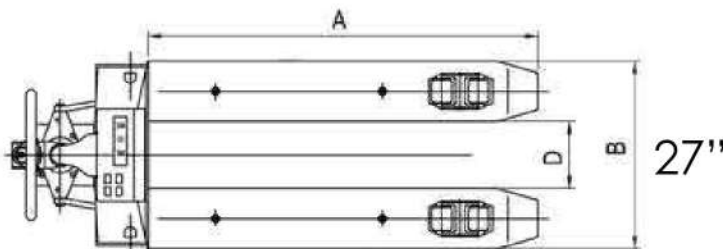
PALLET JACK

TYSON300™

The Tyson300 Pallet Jack Scale features a Meter scale/sensor and an LED display scale that offers a weighing accuracy of +/- .22 lbs. or 3.5 ounces. UL approved scale operates on rechargeable batteries or 120V AC electric when the self-contained battery charger is recharging the batteries. Skid weighing truck also features an ergonomic 3-position hand control (raise-neutral-lower). 205° turning radius, 7" W forks, and rolls smoothly with 7" polyurethane steer wheels and 3" polyurethane load wheels. 1 year Limited Warranty.



- Automatic & Manual zero correction
- Gross Net Weighing
- Tare, Sample and manual
- Totaling with Sequence Number
- PieError Message Display w/ Auto Shut Off
- Protection: Load cells and cabling NEMA 5 with indicator NEMA 4 IP65
- Battery: (4) AA Batteries
- Pump: Quick lift



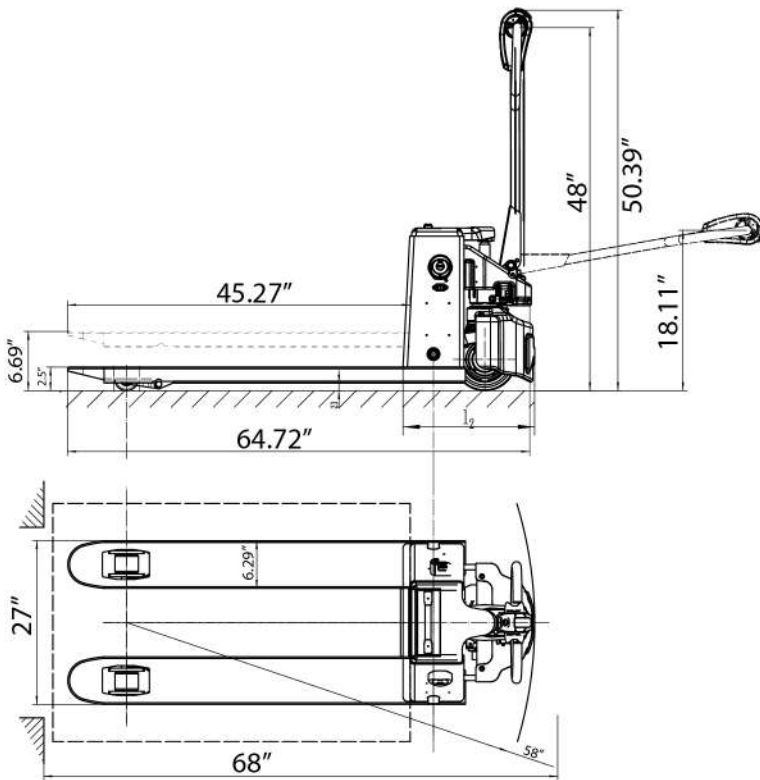
SKU No.	Model	Description	Capacity	Scale Accuracy	Dimensions LxWxH (in)	Weight
555011	5Sec7625B	Tyson500 Pallet Jack Scale	5000LBS	0.15%	48 x 27 x 47	288LBS
550110	5Sec7625C	Tyson300 Pallet Jack Scale	5000LBS	0.15%	46 x 28 x 47	288LBS

TYSON750™



Introducing the 5Seconds Full Electric Pallet Truck, a robust solution for heavy-duty material handling tasks. With a 6600Lbs capacity compact dimensions of 64.72 inches length, and 27-inch fork width, it efficiently navigates tight spaces. It is powered by a 48V/20A battery and has a 360-minute work and 480-minute charge time. Equipped with a 1000w drive motor and 1200w lifting motor, it ensures smooth operation with PU wheels. Weighing 408LBS, it balances power, efficiency and durability for optimal performance.

- 5Seconds Full Electric Pallet Truck: A robust solution for heavy-duty material handling tasks
- 6600Lbs capacity: Capable of lifting and transporting heavy loads with ease
- Compact dimensions: 64.72 inches in length and 27-inch fork width
- Powered by a 48v/20A battery: Ensures extended work time of 360 minutes
- 1000W drive motor and 1200W lifting motor: Provides powerful and efficient performance
- PU wheels: Ensures smooth movement and stability during operation
- Lowest height of 80mm: Allows for easy access under pallets and low-clearance areas
- Maximum height of 200mm: Facilitates efficient loading and unloading operations
- Weighs 408LBS: Strikes a balance between durability, maneuverability, and efficiency

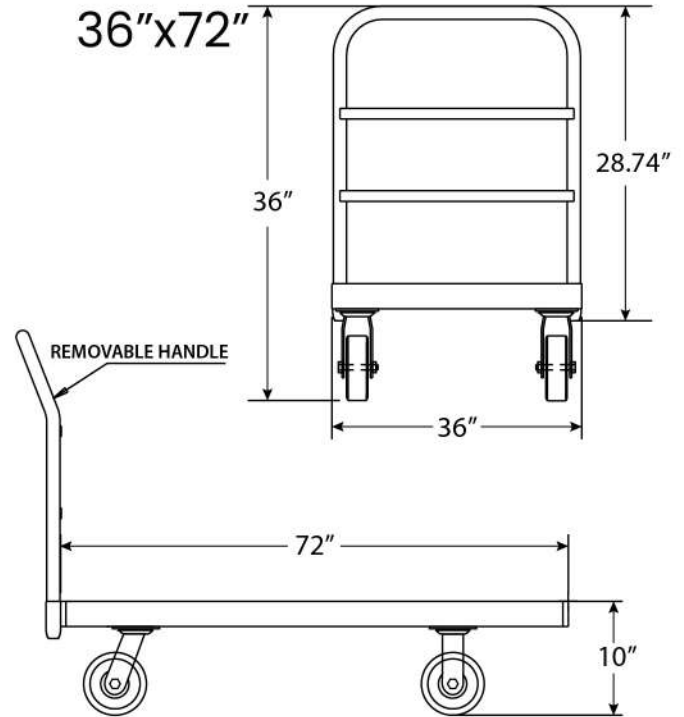
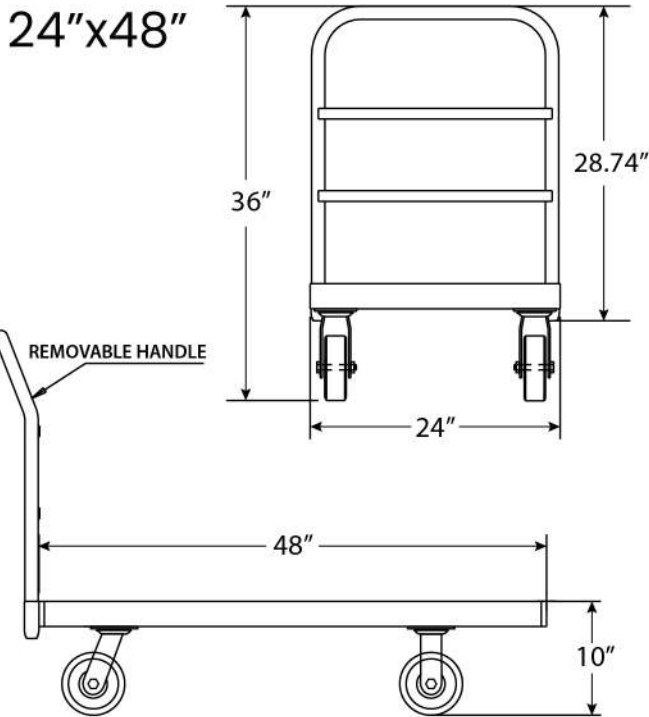


SKU No.	Lifting Motor Power	Drive Motor Power	Capacity	Charge Time	Dimensions LxWxH (in)	Weight
555020	1200 Watt	1000 Watt	6600LBS	480 Mins	64.72x21.65x50.39	408LBS

BOONE™

Introducing our powerful platform truck, the ultimate solution for heavy-duty transportation! With a sturdy steel structure, it offers unwavering strength and durability for any task. Boasting a 3,000LBS load capacity, it effortlessly handles substantial loads, while the 8" rubber noise reduction wheels ensure smooth and quiet movement.

- Steel Smooth platform Large handle for simple pushing
- Unique cart design
- Mold on rubber (6x2) casters for smooth maneuverability (2 Swivel & 2 Rigid)



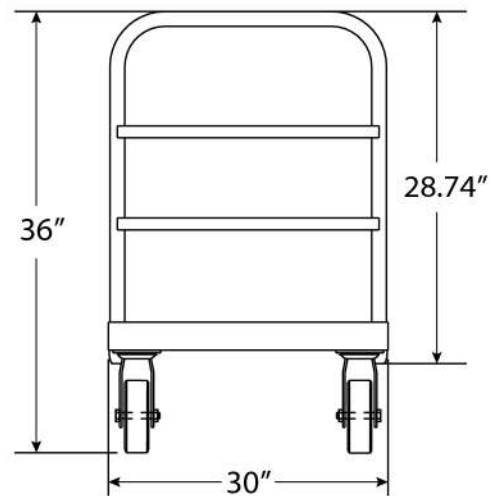
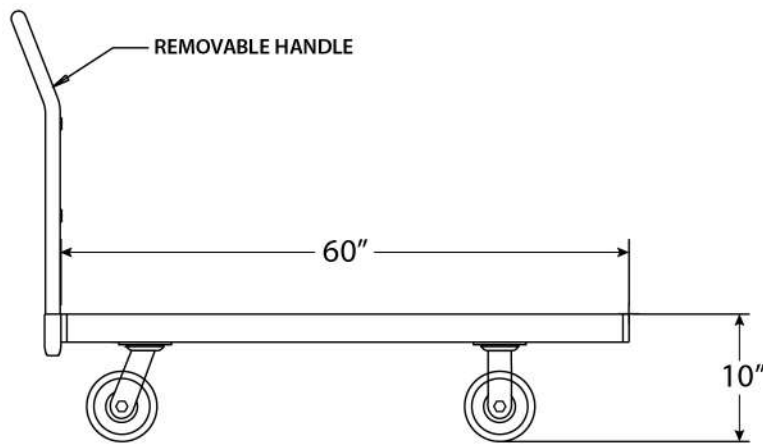
SKU No.	Model	Capacity	Wheel	Dimensions LxWxH (in)	Dimensions LxWxH (in)	Weight
555014	5Sec2448	3000LBS	Black 6x2"	24x48x36	51x25x6	125LBS
555015	5Sec3672	3000LBS	Red 8x2"	36x72x36	75x37x6	119LBS

BOONE™



Introducing our powerful platform truck, the ultimate solution for heavy-duty transportation! With a sturdy steel structure, it offers unwavering strength and durability for any task. Boasting a 3,000LBS load capacity, it effortlessly handles substantial loads, while the 8" rubber noise reduction wheels ensure smooth and quiet movement.

- Durable, gray powder-coat finish is easy to spot
- Dimension: 60X30
- Capacity 3000LBS
- Wheel - 8" RED
- Deck: Steel Plate 3MM
- Wheel Rotation: 360 Degree
- Weight: 106.26LBS

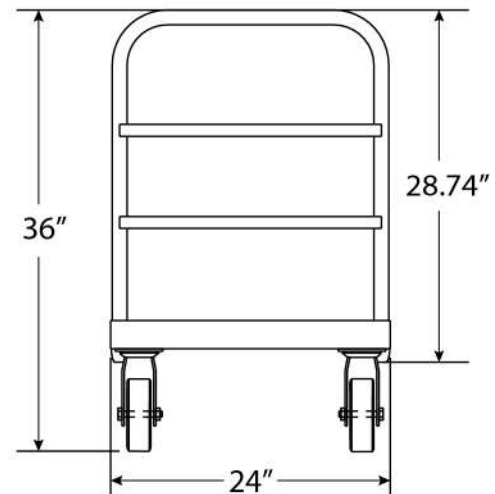
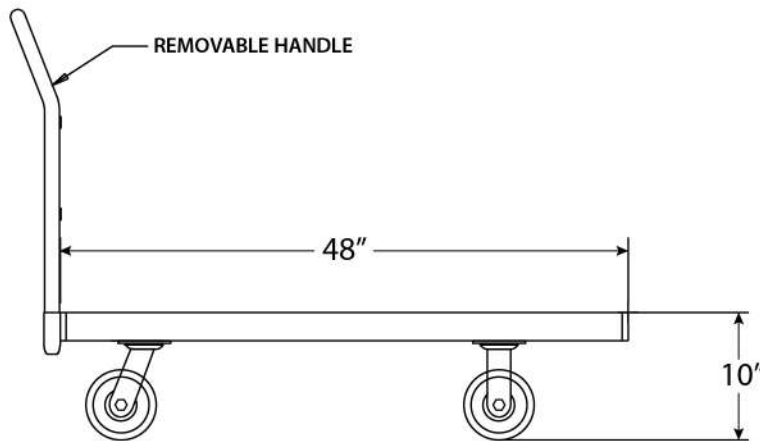


SKU No.	Model	Wheel	Capacity	Dimensions LxWxH	Box Dimensions	Weight
555021	5Sec3060	8" Red	3000LBS	30" x 60"	63" x 32" x 5.31"	106LBS

BOONE DIAMOND™

Introducing our powerful Diamond platform truck, the ultimate solution for heavy-duty transportation! With a sturdy steel structure, it offers unwavering strength and durability for any task. Boasting a 3,000LBS load capacity, it effortlessly handles substantial loads, while the 8" rubber noise reduction wheels ensure smooth and quiet movement.

- Durable, gray powder-coat finish is easy to spot
- Dimension: 48X24
- Capacity 3000LBS
- Wheel - 8" RED
- Deck: Steel Plate 3MM
- With Hand Grip
- Wheel Rotation: 360 Degree
- Weight: 83.33LBS



SKU No.	Model	Wheel	Capacity	Dimensions LxWxH	Dimensions LxWxH (in)	Weight
555017	5Sec2448-D	8" Red	3000LBS	24" x 48"	51" x 25" x 6"	83.33LBS
555018	5Sec2448-DB	8" Red	3000LBS	24" x 48"	51" x 25" x 6"	87.40LBS

BASKET

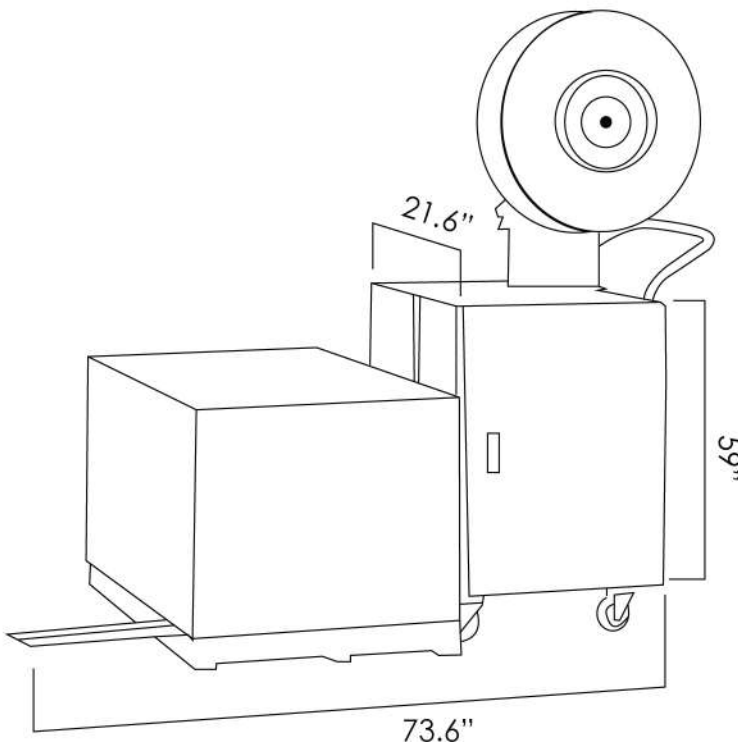
555023	5SecBAS		3000LBS	24" x 48"	51" x 25" x 6"	87.40LBS
--------	---------	--	---------	-----------	----------------	----------

PALLET STRAPPING MACHINE



Our 5Seconds Pallet Strapping Machine eliminates manual hand strapping and speeds up the pallet strapping process. This high quality Semi-Automatic strapping machine uses a 40" foldable probe to automatically feed the strap through the pallet and then tightens and seals the strap around the pallet. Our 5Seconds™ Pallet strapping machine works with 3/8", 1/2" and 5/8" polypropylene strapping. Strapping is not included.

- Portable pallet strapping machine with user friendly controls
- 40" foldable pallet probe
- Strap tension up to 175LBS
- Uses 3/8", 1/2" and 5/8" Polypropylene Strapping
- Easy access for reloading strapping
- 110V single phase power supply (comes with plug for wall socket)
- Feed Strap Height: 53½"
- Net Weight: 330.6 LBS



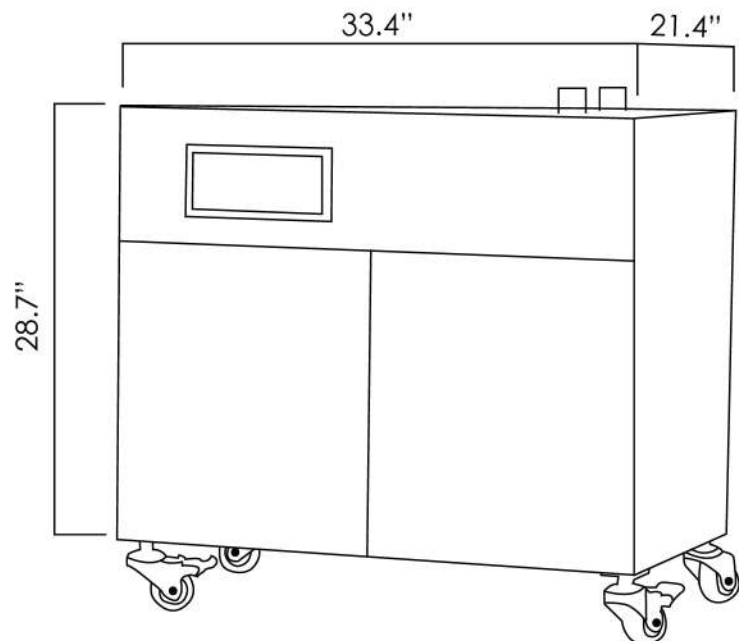
SKU No.	Model	Description	Power CONSUMPTION	Input Voltage	Dimensions LxWxH (in)	Strapping Tension
999013	1SYS505	Semi Auto Pallet Strapping Machine	0.5KVA	110V, 220V	73.6x 21.6x 59	0.33LB/ 0.15kg/60z

SEMI AUTO BOX STRAPPING MACHINE

The Semi Auto Box Strapping Machine is a general purpose strapping machine that can strap package quickly and efficiently. Strapping cycle will automatically start when operator inserts strap. The machine will automatically shut down after the preset time to save electricity. This machine is recommended for strapping cartons in light industry settings.



- Front control panel makes adjustments fast and easy
- Speeds up productivity by dispensing, tightening, and sealing up to 24 straps/min
- Heat weld - No seals required
- Enclosed frame to keep dust and dirt out
- Minimum Box Requirements: 3 1/2" Long And 2" High
- Maximum Box Requirements: No Upper Limit
- Fast warm up (approximately 5 minutes)
- Control panel to adjust reset and manual feed buttons
- Tension Range Adjustment: 2-100 lbs/in



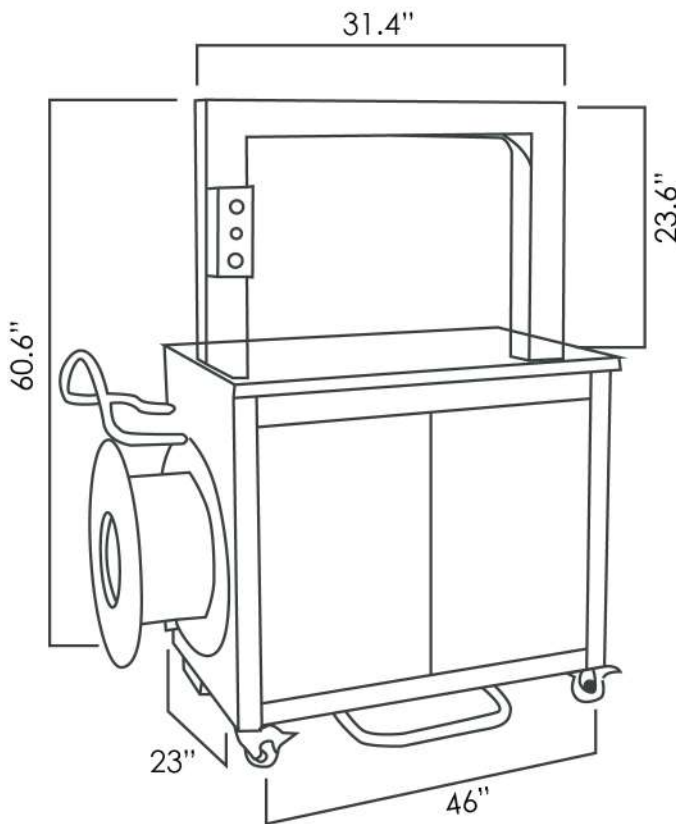
SKU No.	Model	Description	Power Consumption	Input Voltage	Weight	Dimensions LxWxH (in)	Strapping Tension
999012	1SYS300	Semi Auto Box Strapping Machine	0.25kW	110V, 240V	176LBS	33.4x 21.4x 28.7	111lb-110lb

AUTOMATIC STRAPPING MACHINE



Full High Speed Automatic Strapping Machine is an excellent strapper for a broad range of applications. At 65 straps per minute, the SM65 is lightning fast. The state of the art strapping head has 30% fewer parts than comparable strapping machines, and utilizes brushless DC motors. The result is a high speed strapping machine that consumes less power, requires fewer adjustments, and minimal maintenance.

- Patented Easy Strap Access - Access to the strapping channel requires no tools
- Quick Coil Change - Strap is changed at waist height and automatically fed, no more crawling on the floor
- Power 0.5KVA
- Machine Weight 397LBS
- One Piece Strap Track - Track design eliminates dusting and guarantees parallel straps
- Sensor Controlled Heater - Heat seals are consistent and highly reliable
- Jam Free Technology - Missed straps are ejected and the SM65 returns to the ready position
- Foot Bar Switch - Provides "hands free" operation
- Photocell Activation - Several options can be programmed when this feature is activated
- Pivoting Control Panel - Allows the operator to access the control panel from either side of the machine
- Machines 33.46 and wider have standard roller tables
- Machines set for 0.47" strap have external strap reel

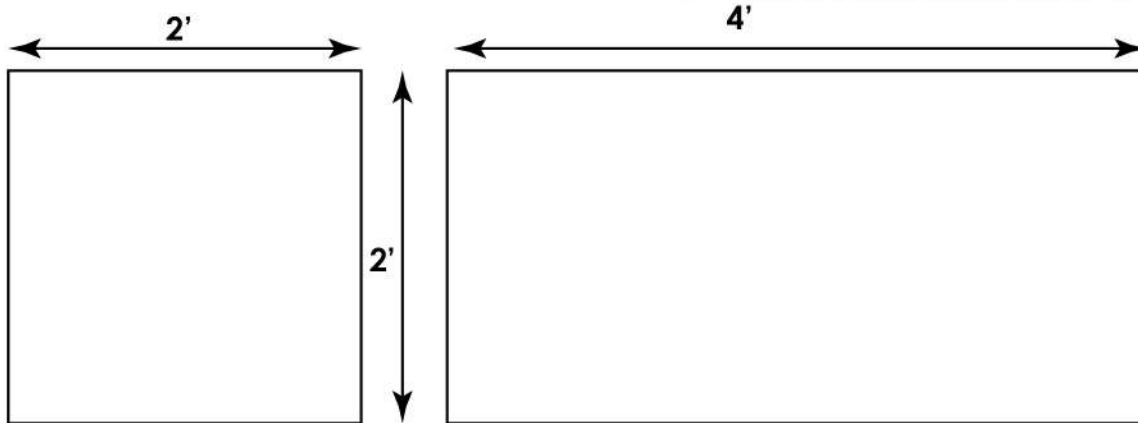
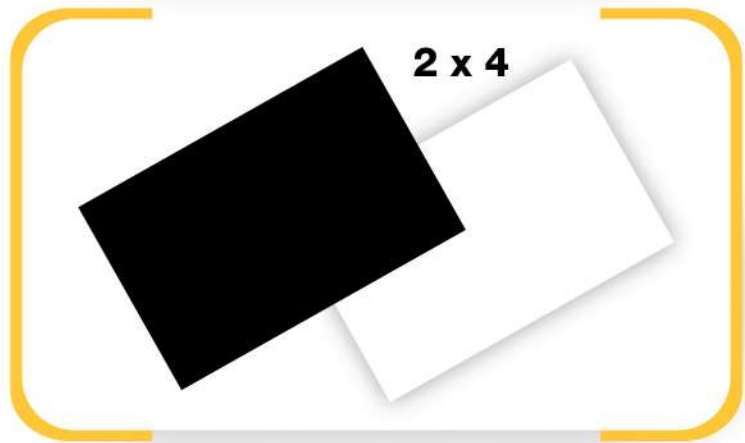
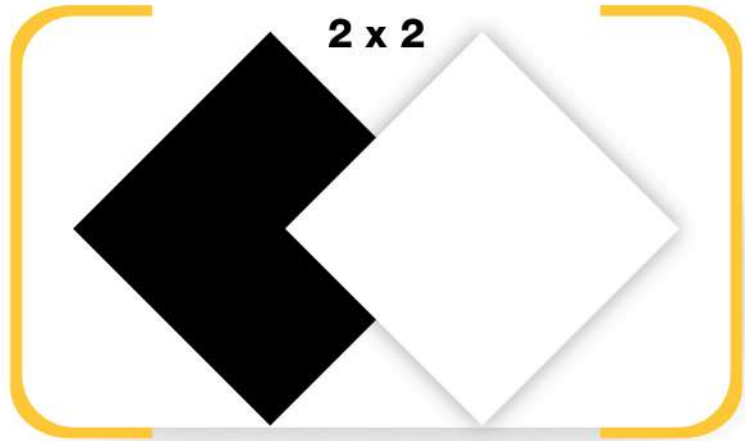


SKU No.	Model	Description	Input Voltage	Strapping Speed	Dimensions LxWxH (in)	Strapping Tension
999203	ISBR900	Full High Speed Automatic Strapping Machine	110V	2.18Sec./Strap	46 "x 23" x 57"	40-600N ADJ

CEILING TILES

5Seconds 2-in-1 Reversible Ceiling Tiles™ are waterproof, washable tiles made from aluminum composite. These versatile tiles are designed for both commercial and residential use. Ideal for restaurants, apartments, offices, and hotels, as well as basements and laundry. With their reversible design and durability, they offer a stylish and practical solution for ceiling renovations.

- Fully waterproof and washable construction
- Mold & stain resistance
- Made from durable aluminum composite material
- Versatile for commercial and residential use
- Ideal for restaurants, apartments, offices, and hotels
- Also suitable for basements and laundry
- Reversible design for added flexibility
- Easy to install and maintain
- Stylish solution for ceiling renovations



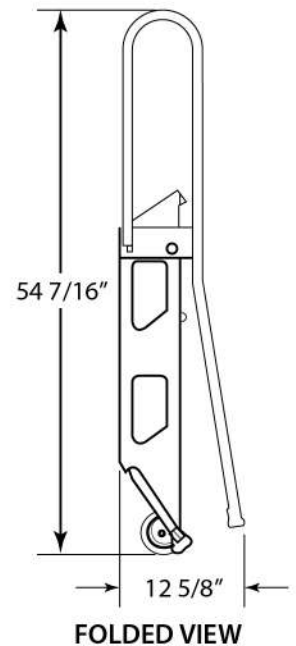
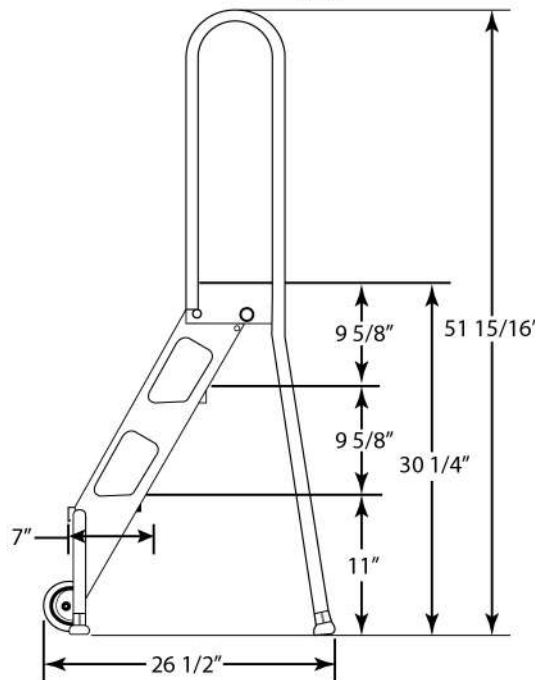
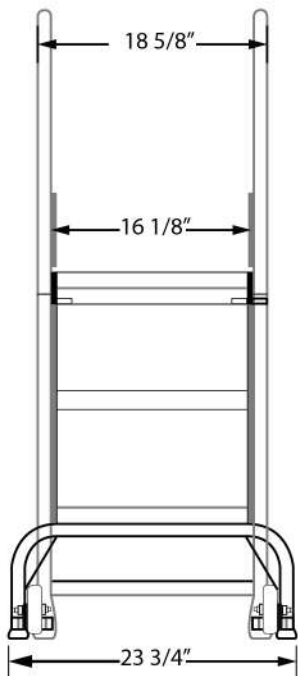
SKU No.	Brand	Description	Material Type	Reversible Color	Dimensions LxWxH (in)	Weight
111996	5Seconds™	Fully waterproof & washable construction	Aluminum Composit Panel	Black & White	2 x 2	19.90LBS
111995	5Seconds™	Fully waterproof & washable construction	Aluminum Composit Panel	Black & White	2 x 4	29.10LBS

3 Steps Folding Ladder



Introducing the 5Second 3-Step Steel Folding Ladder with Wheel. Having a load capacity of 350 lbs, it's lightweight yet sturdy, perfect for easy mobility and storage. Its noiseless rubber wheel ensures smooth maneuverability. Ideal for various tasks, this foldable ladder is your go-to solution for reaching new heights effortlessly.

- 5Second 3-Step Steel Folding Ladder with Wheel
- A Load capacity of 350LBS ensures sturdy support for various tasks
- The lightweight design allows for easy mobility
- The foldable feature enhances storage convenience, ideal for compact spaces
- The noiseless rubber wheel ensures smooth and quiet maneuverability
- The three-step design provides adequate height for most tasks
- Durable steel construction ensures long-lasting use



SKU No.	Brand	Description	Steps	Material	Dimensions LxWxH (in)	Load Capacity
555113	5Seconds™	Industrial Grade Folding Ladder	3 Steps	Steel	26.5 x 23.7 x 51.9	350LBS

BLUE™

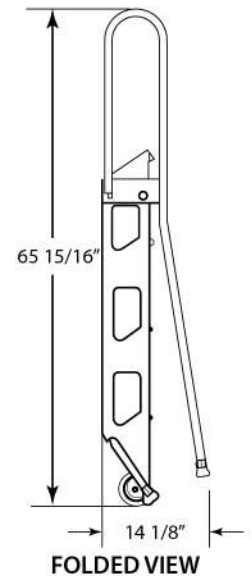
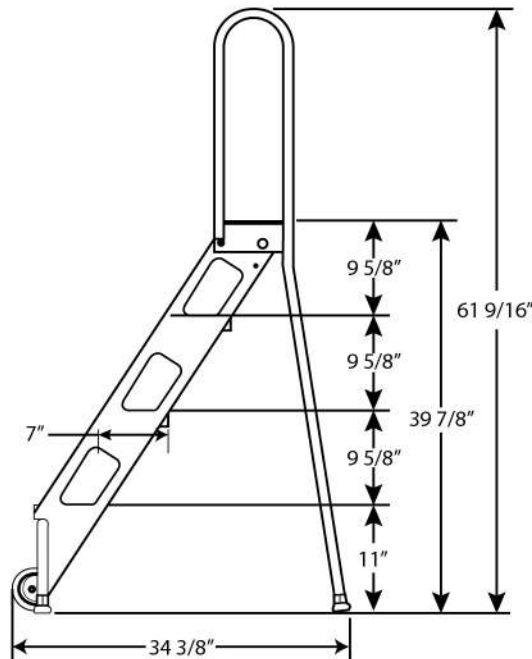
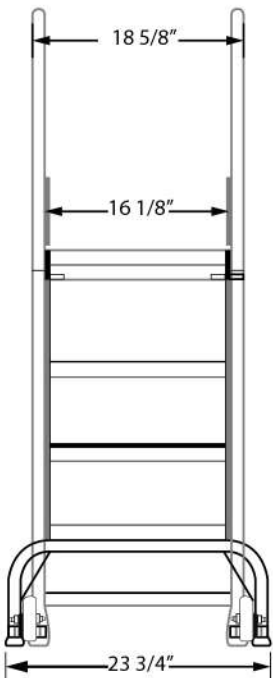
5Seconds™
Material Handling and More...

4 Steps Folding Ladder

Introducing the 5Second 4-Step Steel Folding Ladder with Wheel. Having a load capacity of 350 lbs, it's lightweight yet sturdy, perfect for easy mobility and storage. Its noiseless rubber wheel ensures smooth maneuverability. Ideal for various tasks, this foldable ladder is your go-to solution for reaching new heights effortlessly.



- 5Second 3-Step Steel Folding Ladder with Wheel
- A Load capacity of 350LBS ensures sturdy support for various tasks
- The lightweight design allows for easy mobility
- The foldable feature enhances storage convenience, ideal for compact spaces
- The noiseless rubber wheel ensures smooth and quiet maneuverability
- The three-step design provides adequate height for most tasks
- Durable steel construction ensures long-lasting use



SKU No.	Brand	Description	Steps	Material	Dimensions LxWxH (in)	Load Capacity
555114	5Seconds™	Industrial Grade Folding Ladder	4 Steps	Steel	33.4x 21.4x 28.4	350LBS

800-215-6448

5SecondsBrand.com

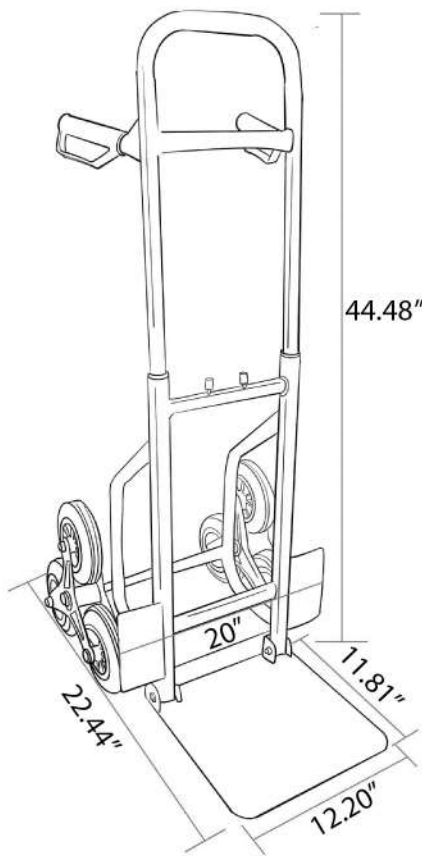
INDUSTRIAL GRADE FOLDING LADDER

12



Introducing the 5Seconds Hand Truck, your reliable and convenient solution for effortlessly transporting heavy loads. This hand truck offers compact storage and easy portability when not in use, making it perfect for various environments. Its sturdy platform and durable wheels guarantee stability and ensure smooth transportation of your items, whether...

- The compact storage feature ensures minimal space usage when not in use
- Its unique design makes it suitable for a variety of environments and tasks
- A Load capacity of 330LBS ensures support for easy mobility
- Durable wheels ensure smooth movement across various surfaces
- Ideal for both commercial and personal use, making it versatile for different needs
- Saves time and effort by eliminating the need for manual lifting of heavy objects
- Simplifies the process of transporting goods, reducing strain on the user
- Enhances efficiency and productivity in handling heavy loads, offering a practical solution for logistical challenges

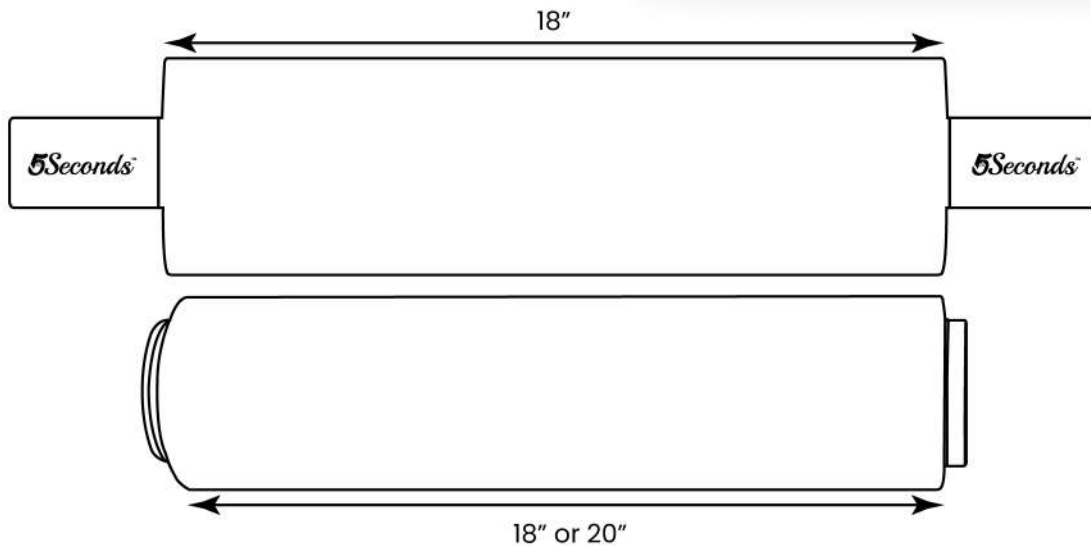


SKU No.	Brand	Description	No. of Wheels	Material	Dimensions LxWxH (in)	Load Capacity
555112	5Seconds™	Industrial Hand Truck	3 Wheels	Steel	44.4 x 20 x 22.4	330LBS

STRETCH FILM

VERSATILE AND DURABLE: Our Industrial Grade 20" x 1000Ft Shrink Wrap rolls with core handles are perfect for all your packing and moving needs. Made of high-quality plastic, this stretch wrap with handle roll is 80 gauge thick, 400% stretchable and offers durable protection for your items. **CONVENIENT PACKAGING:** This...

- Industrial Strength
- Self adhesive protection for any item
- up to 400% stretch ability



SKU No.	Brand	Description	Feet	Size	Gauge	Dimensions LxWxH (in)
333125	5Seconds	Stretch Wrap with Core Handle	1000FT	20"	80	28.74 x 15 x 4
333124	5Seconds	Stretch Wrap for Machine Use	1000FT	20"	80	28.74 x 8 x 4
333128	5Seconds	Stretch Wrap for Machine Use	1500FT	18"	80	10.83 x 10.83 x 18.90
333127	5Seconds	Stretch Wrap for Machine Use	5000FT	20"	63	21 x 8 x 8
333126	5Seconds	Stretch Wrap for Machine Use	5000FT	20"	80	21 x 8 x 8

WPC WALL PANELS



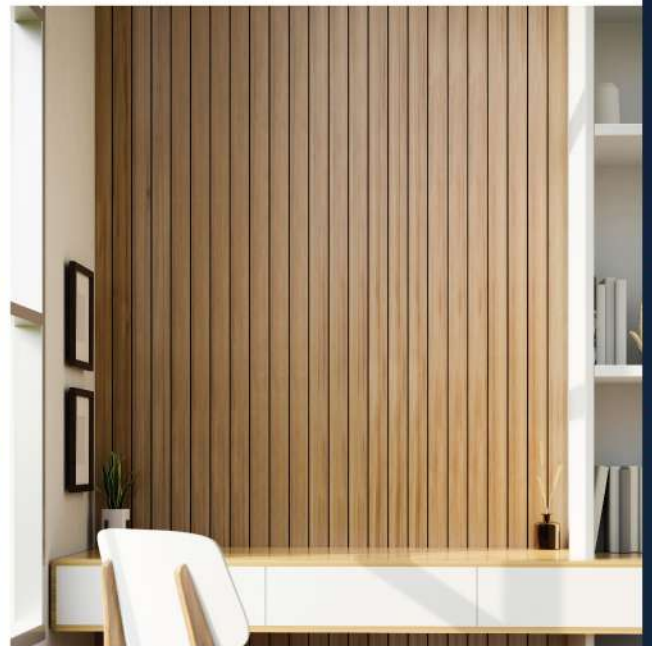
- Crafted with high-quality Wood-Plastic Composite (WPC) material for durability and longevity
- Designed for hassle-free installation, saving time and effort
- Requires minimal maintenance; easy to clean with just soap and water, making it a practical choice for busy lifestyles
- Adaptable to various architectural styles, enhancing the aesthetics of both residential and commercial spaces

Elevate the aesthetics of your space with our WPC Wall Panel – a perfect blend of style and functionality. Crafted from premium Wood-Plastic Composite material, this wall panel offers a durable and visually appealing solution for indoor applications.

The easy installation process makes it an ideal choice for those seeking a DIY project or for professional installers looking to save time. Its low-maintenance design requires nothing more than simple cleaning with soap and water, ensuring a pristine appearance year after year. Versatility is key with our WPC Wall Panel, as it seamlessly adapts to various architectural styles. Choose from a range of colors and finishes to complement your design vision, while the quality ensures long-lasting vibrancy.

Choose sustainability with our WPC Wall Panel, manufactured with elegance in mind. Experience the perfect fusion of style, durability, and environmental responsibility.

SKU No.	Brand	Description	Color	Color Shades	Material	Wall Panel Size LxWxH (in)	Weight
888124	5Seconds	Wall Panels	5Sec-1016		WPC	118.11 x 6.30 x 0.86	29.98LBS
888123	5Seconds	Wall Panels	5Sec-60808-20		WPC	118.11 x 6.30 x 0.86	29.98LBS
888122	5Seconds	Wall Panels	5Sec-60756-12		WPC	118.11 x 6.30 x 0.86	29.98LBS
888121	5Seconds	Wall Panels	5Sec-1010		WPC	118.11 x 6.30 x 0.86	29.98LBS
888120	5Seconds	Wall Panels	5Sec-61193-20		WPC	118.11 x 6.30 x 0.86	29.98LBS
888125	5Seconds	Wall Panels	5Sec-GM203		WPC	118.11 x 7.87 x 1.18	70.55LBS



HIGH VELOCITY HAND DRYER

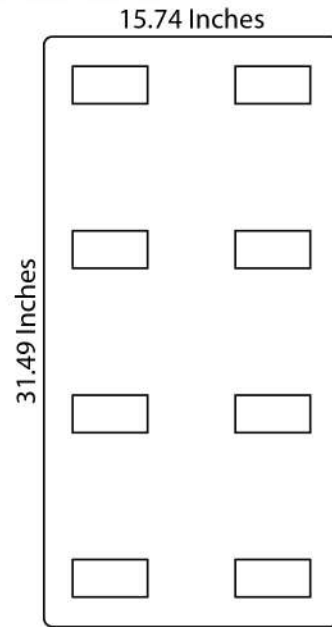
WALL GUARD

Double Sided/Reversible



5Seconds hand dryer wall guard is a corrosion-resistant washroom accessory that features a modern design that stylishly fits in washrooms. Wall finishes are protected and easily maintainable by wiping surfaces from top to bottom against water and stain damage. These wall guards mount directly underneath the hand dryer.

- Side A Silver & Side B White
- Remove the protective film from both side of wall guard
- Place 8 double sided tape as shown on the image to the left
- Press each tape firmly on the wall guard
- Peel and stick the wall guard on clean surface



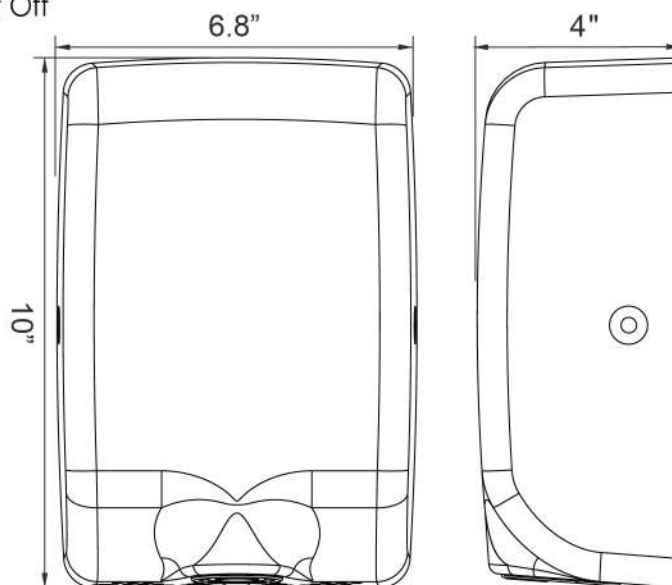
SKU No.	Brand	Description	Color	Material	Product Dimensions LxWxH (in)	Weight
111990	5Seconds	Hand Dryer Wall Guard	Grey	Aluminum	31.49 x 15.74 x 0.11	119lbs
111993	5Seconds	Hand Dryer Wall Guard	White/Silver	Aluminum	31.49 x 15.74 x 0.11	119lbs
111992	5Seconds	Hand Dryer Wall Guard	Black	Aluminum	31.49 x 15.74 x 0.11	119lbs
111991	5Seconds	Hand Dryer Wall Guard	White	Aluminum	31.49 x 15.74 x 0.11	119lbs

MINI TURBO

5Seconds™ The Mini Turbo High-Speed Hand Dryer is one of the market's most energy-efficient and powerful automatic hand dryers. It's a UL-listed, ADA compliant product, It is made of stainless steel with a satin finish. Smart design that includes a blue light for efficient hand drying. The Mini Turbo hand dryer is also equipped with a plug-in option for quick and easy installation, can save thousands of dollars per year in paper towels and electricity.



- High speed and long-lasting ECO friendly product
- Dries hands completely in 8 - 10 seconds
- Maintenance-free, hard-wired
- Energy efficient
- 95% Cost Savings vs. Paper Towels
- The most HYGIENIC drying solution and best hand dryer
- 80% Less Energy Than Conventional Hand Dryers
- 3 times faster
- Externally Visible Service LED
- Saves Time, Money and the Environment
- 60 Seconds Automatic Shut Off
- Coarse Particulate Filter



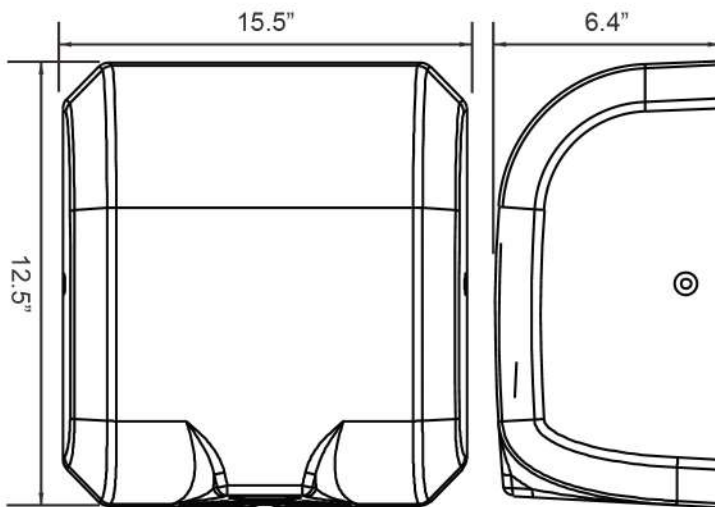
SKU No.	Brand	Description	Watt	IP	Input Voltage	Dimensions LxWxH (in)
111015 (White)	5Seconds	Mini Turbo High Velocity Hand Dryer	1000W	IP23	120V 60Hz	6.8" x 4 "x 10"

OPTIMIZER



5Seconds Brand Optimizer High-Speed Hand Dryer is creatively designed to meet ADA's requirements by protruding less than 4 cm from the wall. The Optimizer is one of the best toilet hand-dryers that offers the best features in new technology for hand-drying. It includes a HEPA filter to help purify the air while drying hands. A durable stainless-steel coating with a brushed finish. The Optimizer hand dryer is also equipped with a plug-in option for quick and easy installation and includes a blue light for efficient hand drying.

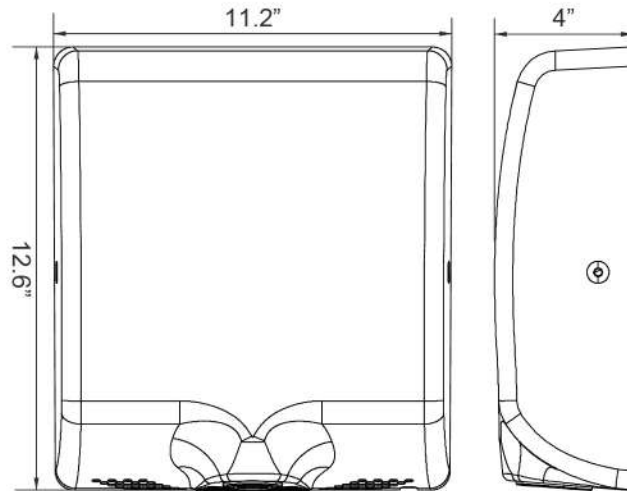
- High speed and long-lasting ECO friendly product
Dry hands completely in 8 - 10 seconds and 3times faster
- Maintenance-free, hard-wired
- Energy efficient
- 95% Cost Savings vs. Paper Towels
- The most HYGIENIC drying solution and best hand dryer
- 80% Less Energy Than Conventional Hand Dryers
- 8-10 Second Dry Time
- Externally Visible Service LED
- Saves Time, Money and the Environment
- 60 Seconds Automatic Shut Off



SKU No.	Brand	Description	Watt	Color	IP	Input Voltage	Dimensions LxWxH (in)
111011	5Seconds	Optimizer High Velocity Hand Dryer	1800W	Silver	IP23	120V 60Hz,	11.6 x 6.4 x 12.5
111017	5Seconds	Optimizer High Velocity Hand Dryer	1800W	Black	IP23	120V 60Hz,	11.6 x 6.4 x 12.5

ULTIMATE

The 5Seconds™ Ultimate high-speed automatic hand dryer is an excellent choice for any facility that requires a powerful but extremely energy-efficient dryer for their high-traffic restrooms. This ADA hand dryer in stainless steel is the most energy-efficient jet option on the market. It includes a HEPA filter to help purify the air while drying hands. The Ultimate high-speed hand dryer is sure to meet your expectations whether installed in restaurants, stadiums, transport centers, or in other high-traffic locations. This high-performance 5 Seconds hand dryer, with a dry time of fewer than 10 seconds. The Ultimate hand dryer is also equipped with a plug-in option for quick and easy installation and includes a blue light for efficient hand drying. Order yours from 5Seconds™ today!



- High speed and long-lasting ECO friendly product Dry hands completely in 8 - 10 seconds and 3times faster
- Maintenance-free, hard-wired
- Energy efficient
- 95% Cost Savings vs. Paper Towels
- The most HYGIENIC drying solution and best hand dryer
- 80% Less Energy Than Conventional Hand Dryers
- 8-10 Second Dry Time
- Externally Visible Service LED
- Saves Time, Money and the Environment
- 60 Seconds Automatic Shut Off
- Built-In Hepa Filer

SKU No.	Brand	Description	Watt	Color	IP	Input Voltage	Dimensions LxWxH (in)
111012 (Brushed)	5Seconds	Ultimate High Velocity Hand Dryer	1000W	Silver	IP23	120V 60Hz,	11.2 x 4 x 12.6
111013	5Seconds	Ultimate High Velocity Hand Dryer	1000W	White	IP23	120V 60Hz,	11.2 x 4 x 12.6

5SECONDS INDUSTRIAL & COMMERCIAL EQUIPMENT



📍 1939 Parker Ct, Suite E,
Stone Mountain, GA 30087

☎ 800-215-6448

✉ info@5secondsbrand.com



5Seconds™

Material Handling and More...

2024 CATALOG



Version 1.1

