




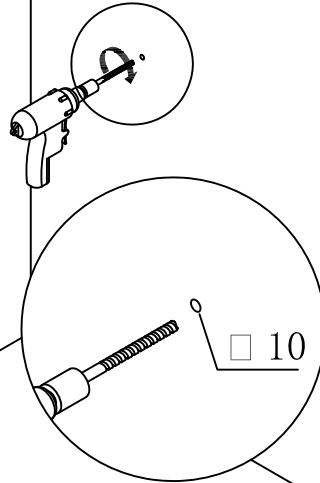
Item No. : 500410-36

Assembly Instruction

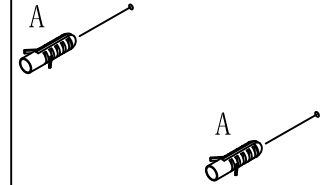
Hardware

No.	Draw	Qty
A		2 PCS
B		2 PCS
C		2 PCS

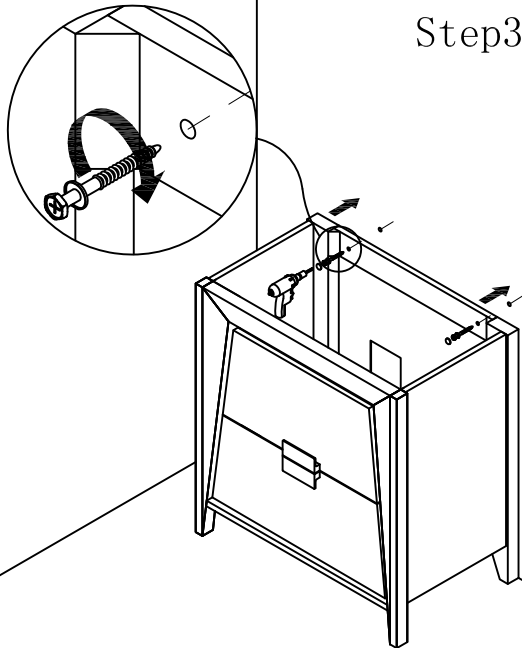
Step1



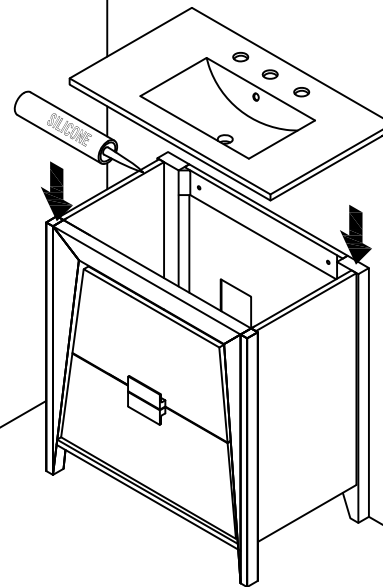
Step2



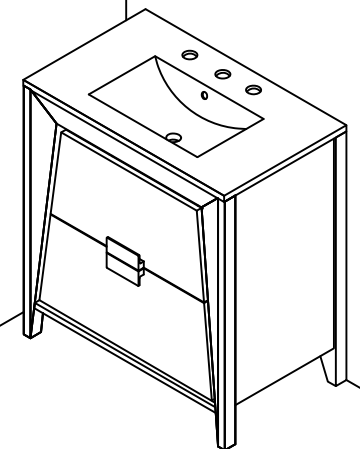
Step3



Step4

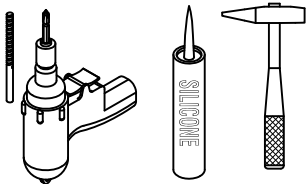


Finished



Description:
Main Cabinet
Size:
900x460x830mm



Tools:



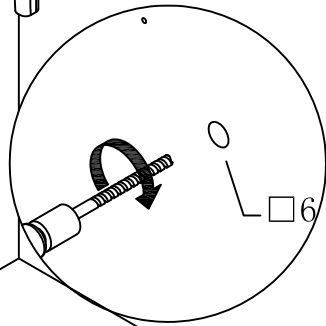
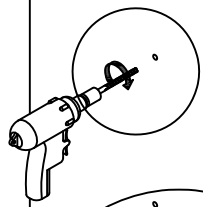
Item No. :500410-36

Assembly Instruction

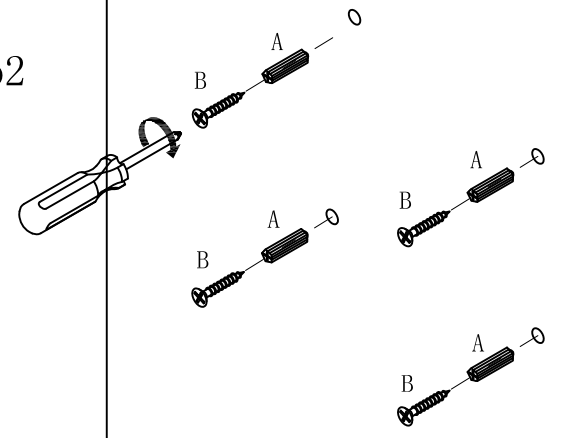
Hardware

No.	Draw	Qty
A		4 PCS
B		4 PCS

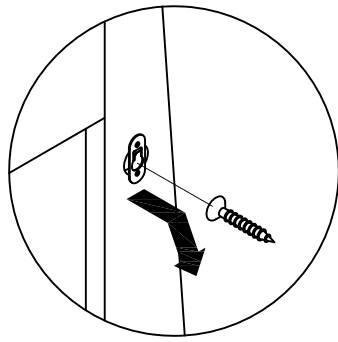
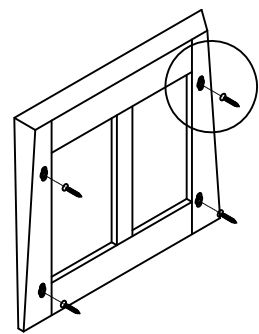
Step1



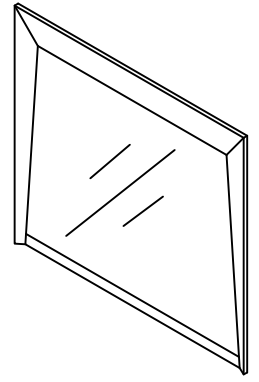
Step2



Step3



Finished



Description:

Mirror

Size:

900x60x650mm

Tools:

