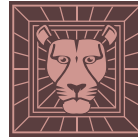


72"

Item Number:

- 389-V72-AGR-A
- 389-V72-CFO-A
- 389-V72-GW-A
- 389-V72-LTO-A

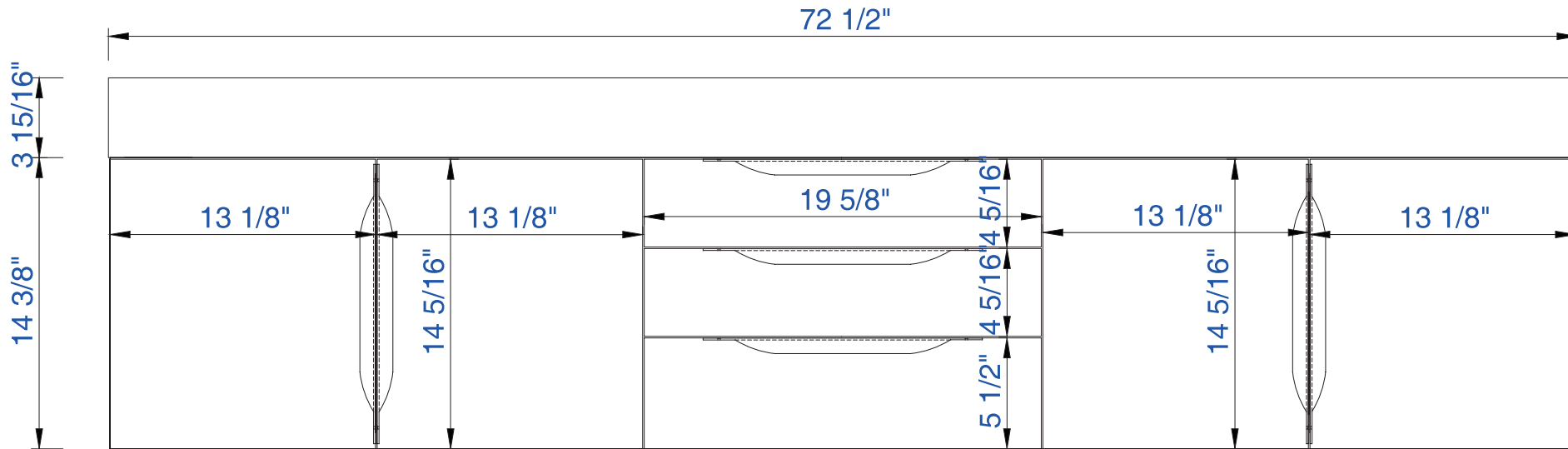
JAMES MARTIN



VANITIES™

Mercer Island 72" Cabinet

Diagrams with Dimensions
page 01 of 03



NOTE ONE: Countertop with integrated sink is shown on this cabinet

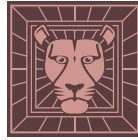
NOTE TWO: This vanity does not have a Backsplash

72"

Item Number:

- 389-V72-AGR-A
- 389-V72-CFO-A
- 389-V72-GW-A
- 389-V72-LTO-A

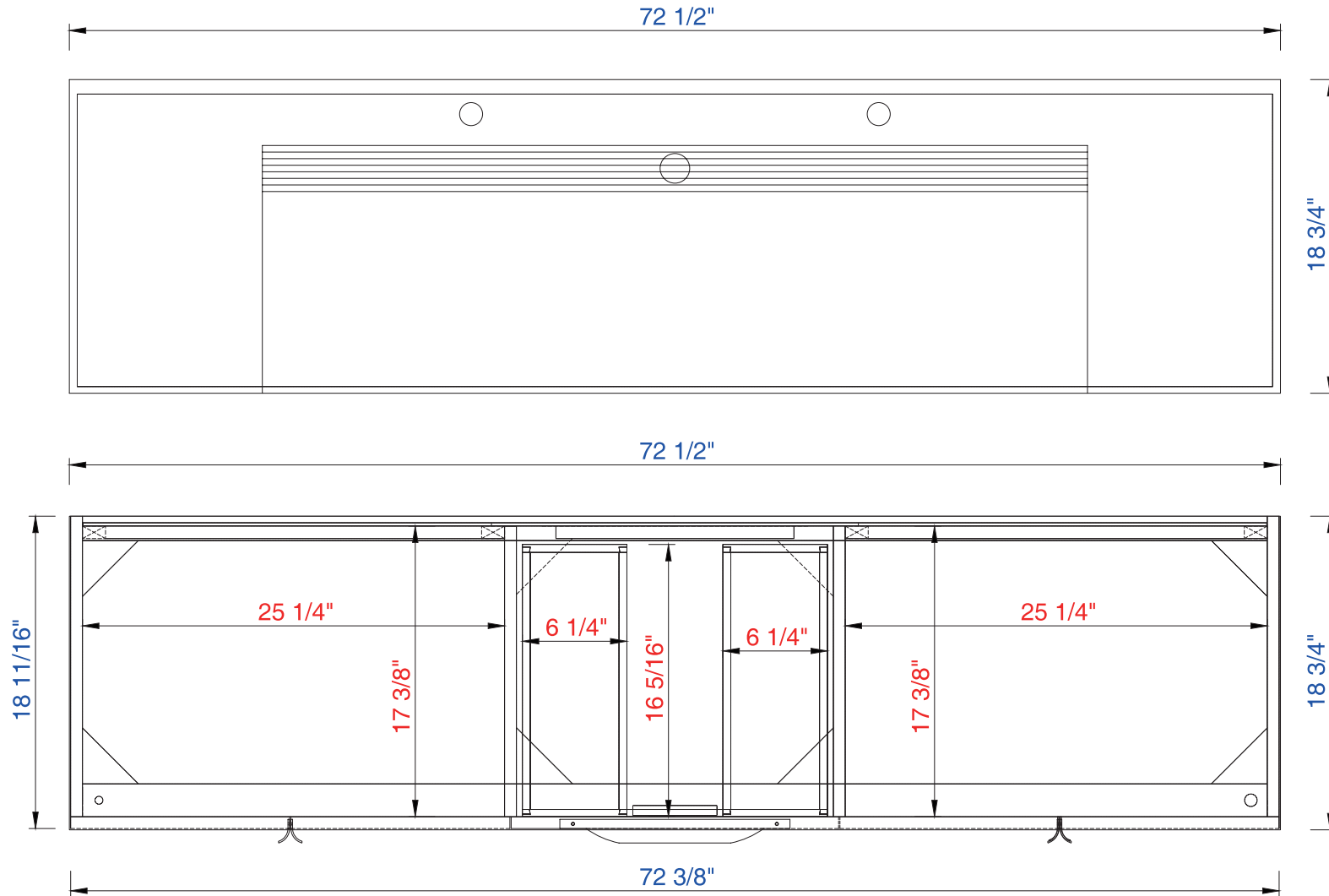
JAMES MARTIN



VANITIES™

Mercer Island 72" Cabinet

Diagrams with Dimensions
page 02 of 03



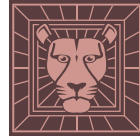
NOTE ONE: Countertop with integrated sink is shown on this cabinet

72"

Item Number:

- 389-V72-AGR-A
- 389-V72-CFO-A
- 389-V72-GW-A
- 389-V72-LTO-A

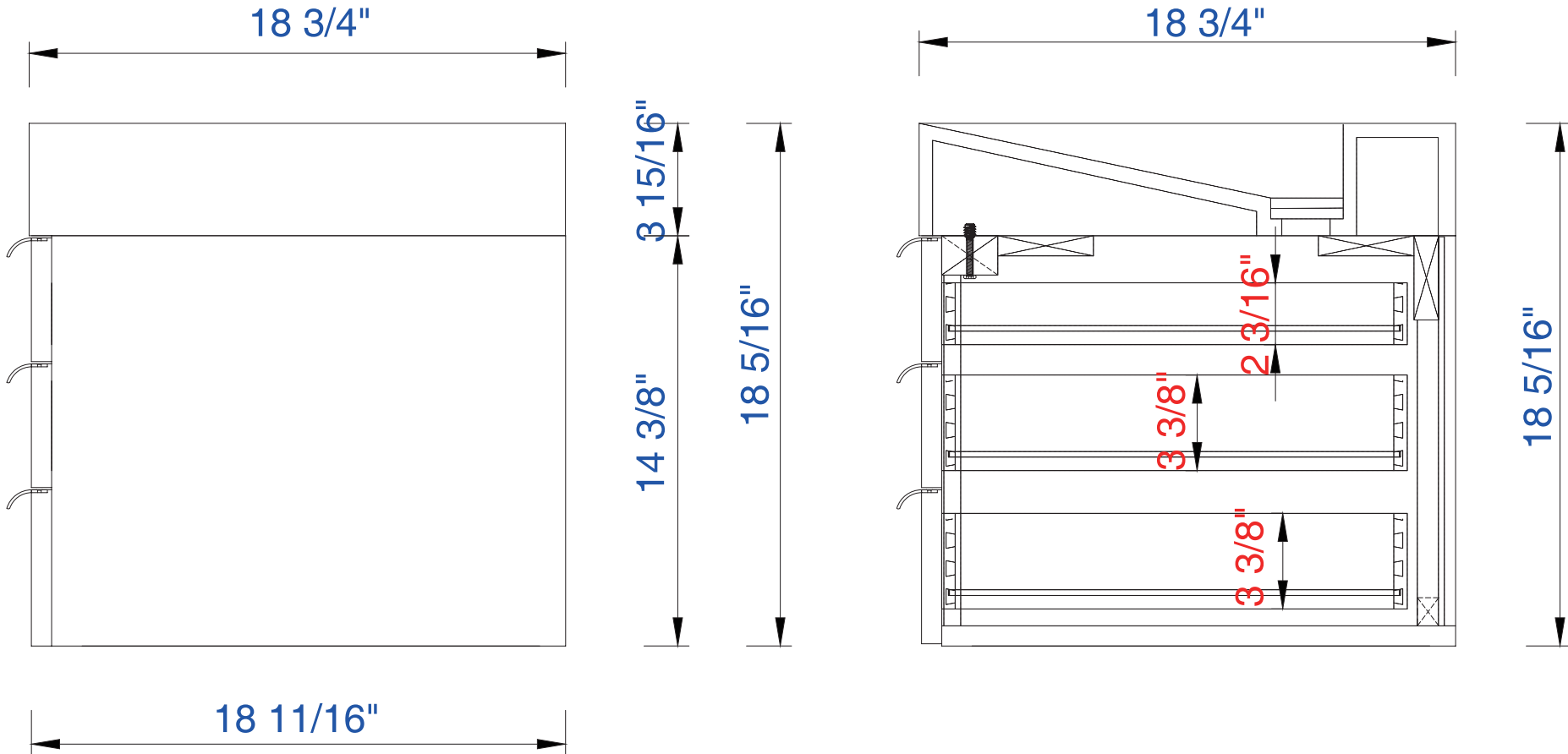
JAMES MARTIN



VANITIES™

Mercer Island 72" Cabinet

Diagrams with Dimensions
page 03 of 03



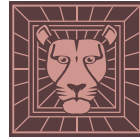
NOTE ONE: Countertop with integrated sink is shown on this cabinet
NOTE TWO: This vanity does not have a Backsplash

1829mm

Item Number:

- 389-V72-AGR-A
- 389-V72-CFO-A
- 389-V72-GW-A
- 389-V72-LTO-A

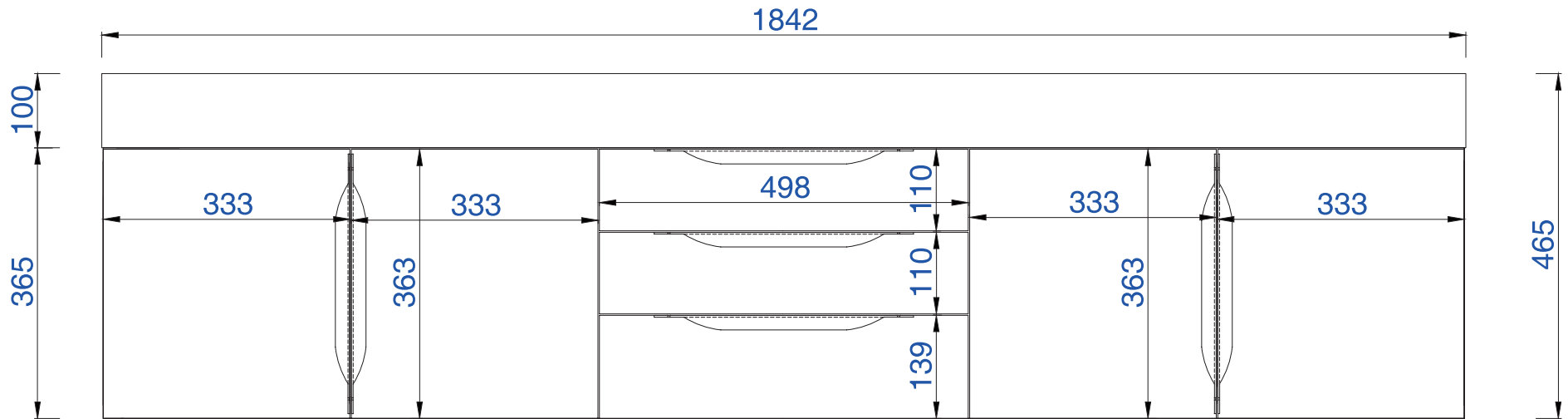
JAMES MARTIN



VANITIES™

Mercer Island 1829mm Cabinet

Diagrams with Dimensions
page 01 of 03



NOTE ONE: Countertop with integrated sink is shown on this cabinet

NOTE TWO: This vanity does not have a Backsplash

1829mm

Item Number:

- 389-V72-AGR-A
- 389-V72-CFO-A
- 389-V72-GW-A
- 389-V72-LTO-A

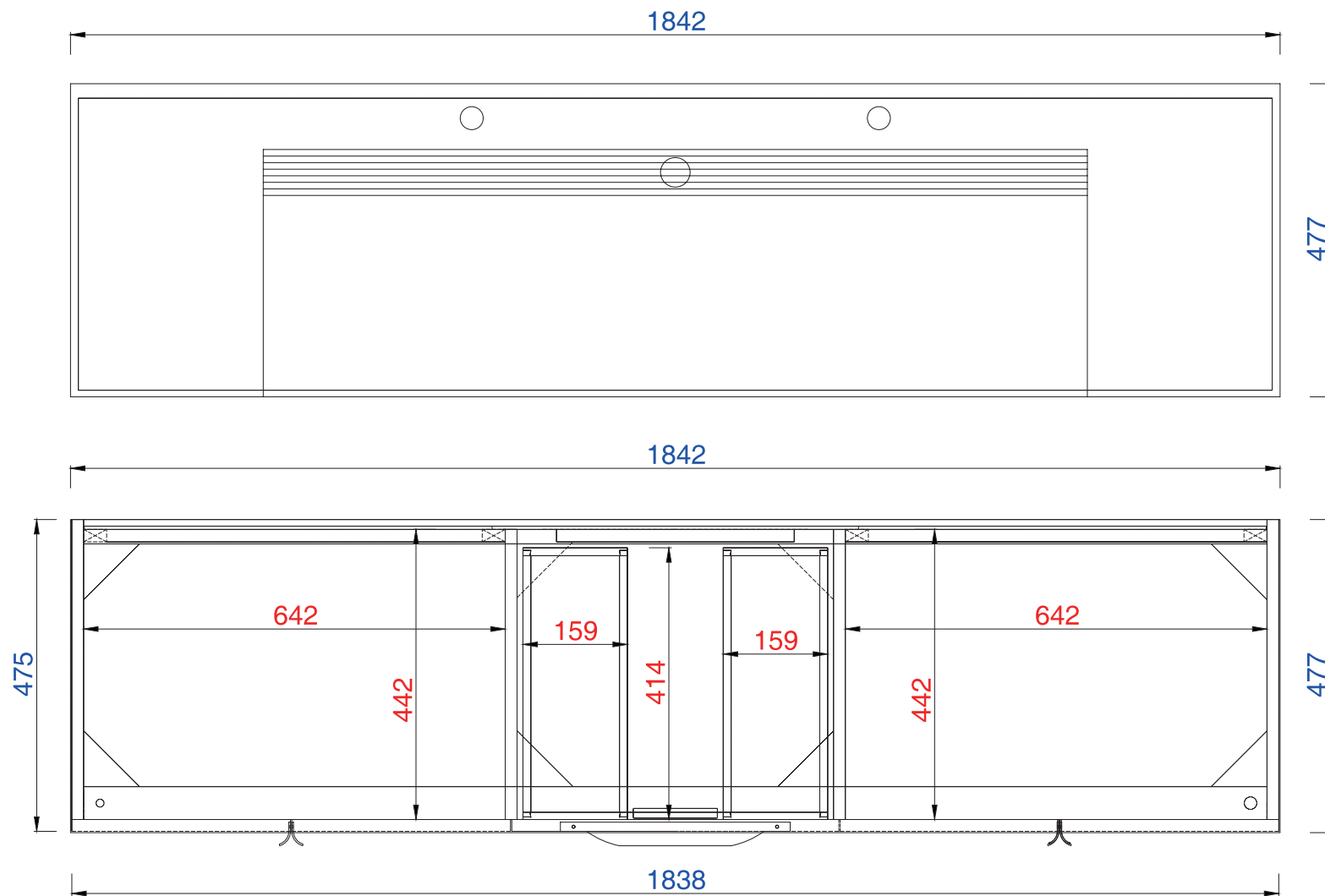
JAMES MARTIN



VANITIES™

Mercer Island 1829mm Cabinet

Diagrams with Dimensions
page 02 of 03



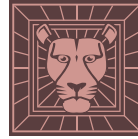
NOTE ONE: Countertop with integrated sink is shown on this cabinet

1829mm

Item Number:

- 389-V72-AGR-A
- 389-V72-CFO-A
- 389-V72-GW-A
- 389-V72-LTO-A

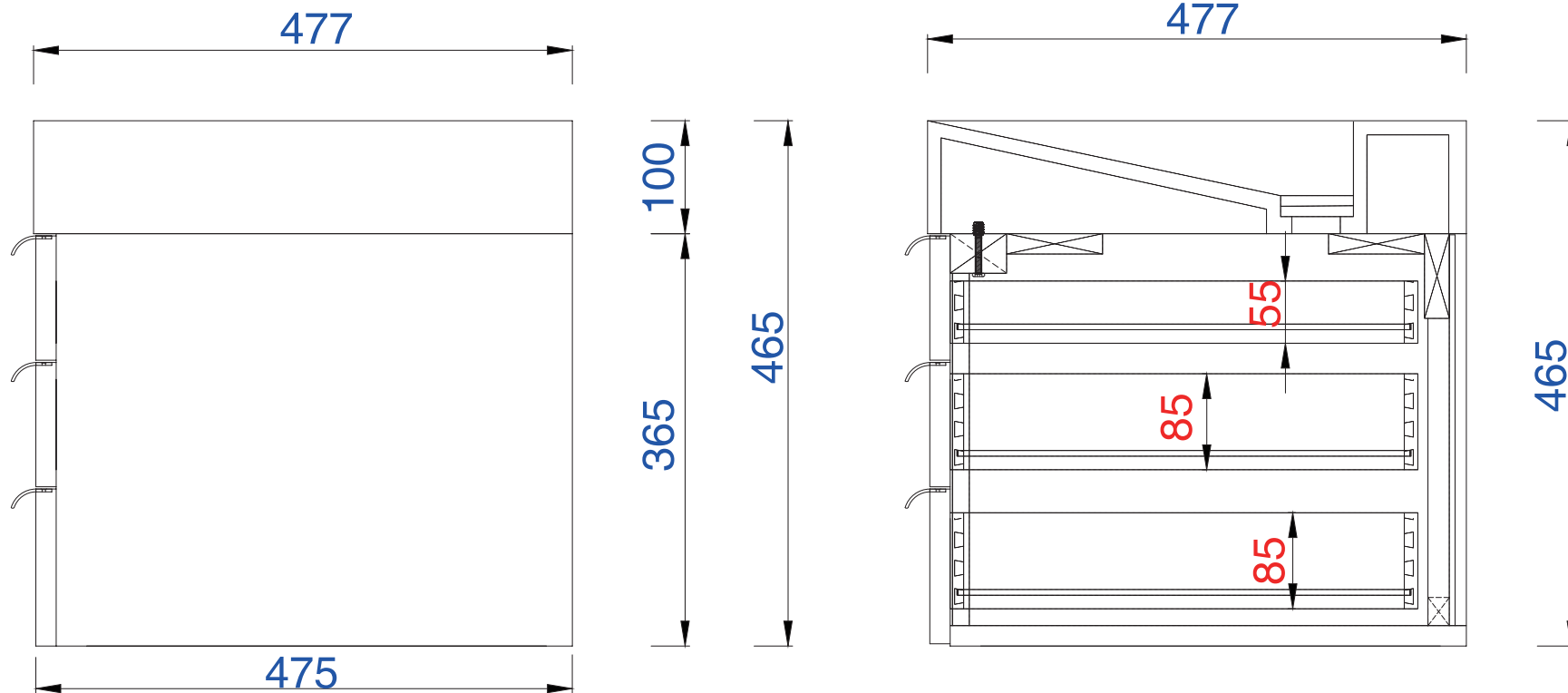
JAMES MARTIN



VANITIES™

Mercer Island 1829mm Cabinet

Diagrams with Dimensions
page 03 of 03



NOTE ONE: Countertop with integrated sink is shown on this cabinet

NOTE TWO: This vanity does not have a Backsplash