

Malm Fireplaces, Inc.

368 Yolanda Avenue - Santa Rosa, Ca 95404

(707) 523-7755 - Fax: (707) 571-8036

info@malmfireplaces.com

34 Zircon Direct Vent



Tested & Listed by LabTest
Certified for use in USA &
Canada. Certifié pour une utilisation
aux Etats-Unis et Canada

Listed: VENTED GAS FIREPLACE HEATER
CANADA and U.S.A. - Certified to: CAN/CGA-2.17-M91(R2009)
Tested to: ANSI Z21.88-2017 & CSA 2.33-2017



Shown with optional matching base.

Assembly And Installation Instructions LEAVE THESE INSTRUCTIONS WITH THE OWNER.

There are two parts to these instructions. The Malm unit instructions and the Regency L234 insert instructions. The operating and maintenance instructions for the Regency unit are included as part of the Malm 34ZDV instructions.

⚠ Warning:

FIRE OR EXPLOSION HAZARD

Failure to follow safety warnings exactly could result in serious injury, death, or property damage.

- Do not store or use gasoline or other flammable vapors and liquids in the vicinity of this or any other appliance.
- **WHAT TO DO IF YOU SMELL GAS**
 - Do not try to light any appliance.
 - Do not touch any electrical switch; do not use any phone in your building.
 - Leave the building immediately.
Immediately call your gas supplier from a neighbor's phone. Follow the gas supplier's instructions.
 - If you cannot reach your gas supplier; call the fire department.
- Installation and service must be performed by a qualified installer, service agency or the gas supplier.

WARNING: Improper installation, adjustment, alteration, service or maintenance can cause injury or property damage. Refer to this manual.

Do not use this appliance if any part has been under water. Immediately call a qualified service technician to inspect the heater and replace any part of the control system and any gas control that has been under water.

This appliance is not for use with glass doors.

GENERAL INFORMATION

This unit has been modified by having the Regency L234 insert installed and tested by Labtest Certifications. This appliance has been tested in accordance with National Safety Standards and has been certified by Lab Test for installation and operation as described in this manual. Contact Malm Fireplaces for questions regarding installation or operation of this unit.

Please read all the instructions before beginning your installation. Check with your local building code agency to ensure compliance with local codes. In the absence of local codes the installation must comply with National Fuel Gas Code ANSI Z22.3.1. In Canada, current CAN/CGA-B149.1 and B149.2 installation codes.

Installation and repair should be done by a qualified service person. The appliance should be inspected before use and at least annually by a qualified service person. More frequent cleaning may be required due to excessive lint from carpeting, bedding material, etc. It is imperative that control compartments, burners and circulating air passageways of the appliance must kept clean.

Unpack all parts from cartons carefully inspecting all parts. If any parts are damaged or missing, contact shipper or dealer immediately.

Do not install this appliance using damaged parts.

GAS SUPPLY

For use with natural gas or propane gas, depending on which option you have ordered. The minimum inlet gas supply pressure for the purpose of input adjustment:

	NATURAL	L.P. (PROPANE)
Min. Supply Pressure (in. wc/kPa):	5" (1.25 kpa)	12" WC (2.99 kpa)
Low Setting Manifold Pressure (in. wc/kPa):	1.1" WC (0.27 kpa)	2.9" WC (0.72 kpa)
Max. Manifold Pressure (in. wc/kPa):	3.8" WC (0.95 kpa)	11" WC (2.74 kpa)
Orifice Size:	42 DMS	54 DMS
Minimum Input:	12,500 Btu/h (6.89 kW)	11,000 Btu/h (6.30 kW)
Maximum Input:	23,500 Btu/h (3.66 kW)	21,500 Btu/h (3.22 kW)

- The supply system should include a manual shut-off valve and union in the line, so that the heater can be disconnected for servicing.
- The appliance must be isolated from the gas supply piping system by closing its individual manual shut-off valve during any pressure testing of the gas supply piping system at test pressures equal to or less than 1/2 psig (3.5 kPa).
- A 1/8 inch N.P.T. plugged tapping is provided, for test gauge connection, on the elbow adjacent to the gas control valve.

CLEARANCES

Make sure that minimum clearances to combustibles are maintained during installation including adequate space for the proper operation and servicing of the heater.

The minimum clearances from the appliance to combustibles are shown on figures 1 and 2. Place the appliance on a flat, solid, continuous surface (i.e. wood, tile, concrete, metal). When placed on carpet the carpet and pad must not be so thick that movement of the unit occurs when walking or stepping close to the unit. If movement is noticed remove the padding directly below the base of the unit. This should eliminate any movement.

The decorative cover connector pipe is a cover for the 3 inch flex. The clearance required for the cover pipe is 4 inches from combustibles.

CLEARANCES

SIDEWALL AND BACKWALL INSTALLATION

Unit to Sidewall -----	2"
Unit to Backwall -----	2"
Connector to Sidewall -----	15"
Center of Connector to Sidewall -----	19"
Connector to Backwall -----	4"
Center of connector to Backwall -----	8"

CORNER INSTALLATION

Unit to Adjacent Wall -----	2"
Connector to Adjacent Wall -----	7"
Center of Connector to Adjacent Wall -----	11"

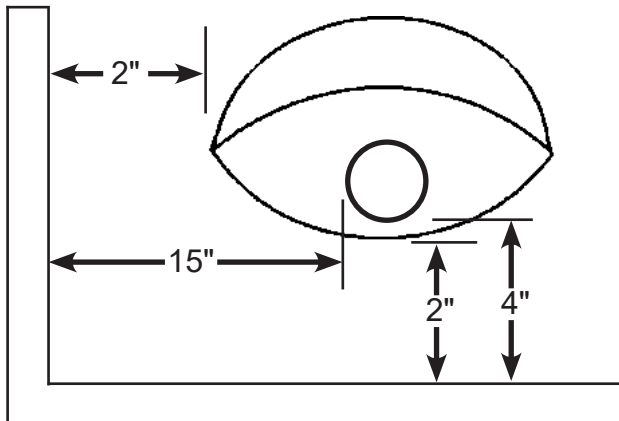


Figure 1

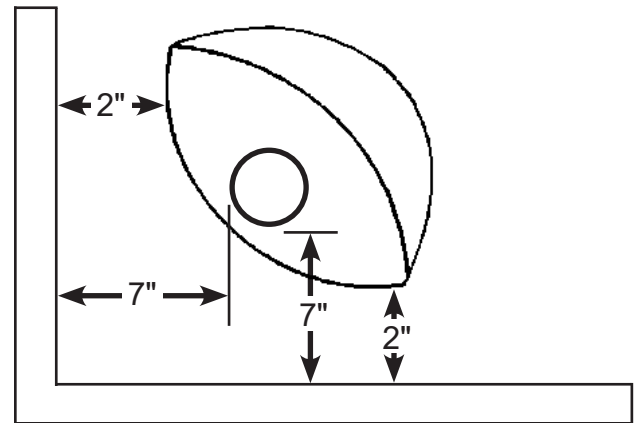


Figure 2

WARNING

Children and adults should be alerted to the hazards of high surface temperature and should stay away to avoid burns or clothing ignition. Young children should be carefully supervised when they are in the same room as the appliance. Toddlers, young children, and others may be susceptible to accidental contact burns. A physical barrier is recommended if there are at-risk individuals in the house. To restrict access to a fireplace or stove, install an adjustable safety gate to keep toddlers, young children, and other at-risk individuals out of the room and away from hot surfaces.

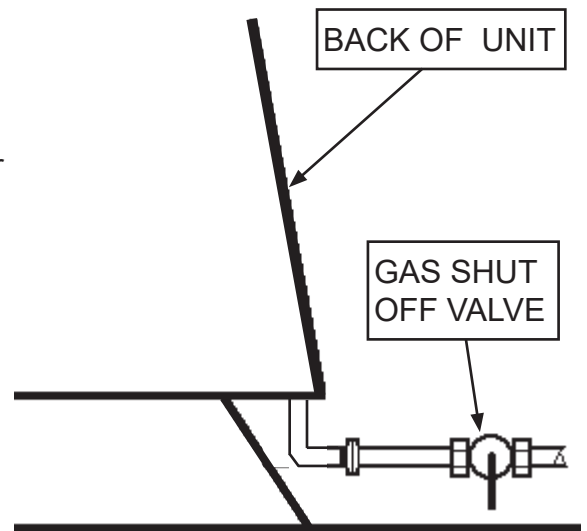
CAUTION

Any safety screen or guard removed for servicing an appliance must be replaced prior to operating the appliance. If the barrier becomes damaged, the barrier shall be replaced with the manufacturer's barrier for this appliance.

Clothing or other flammable material should not be placed on or near the appliance.

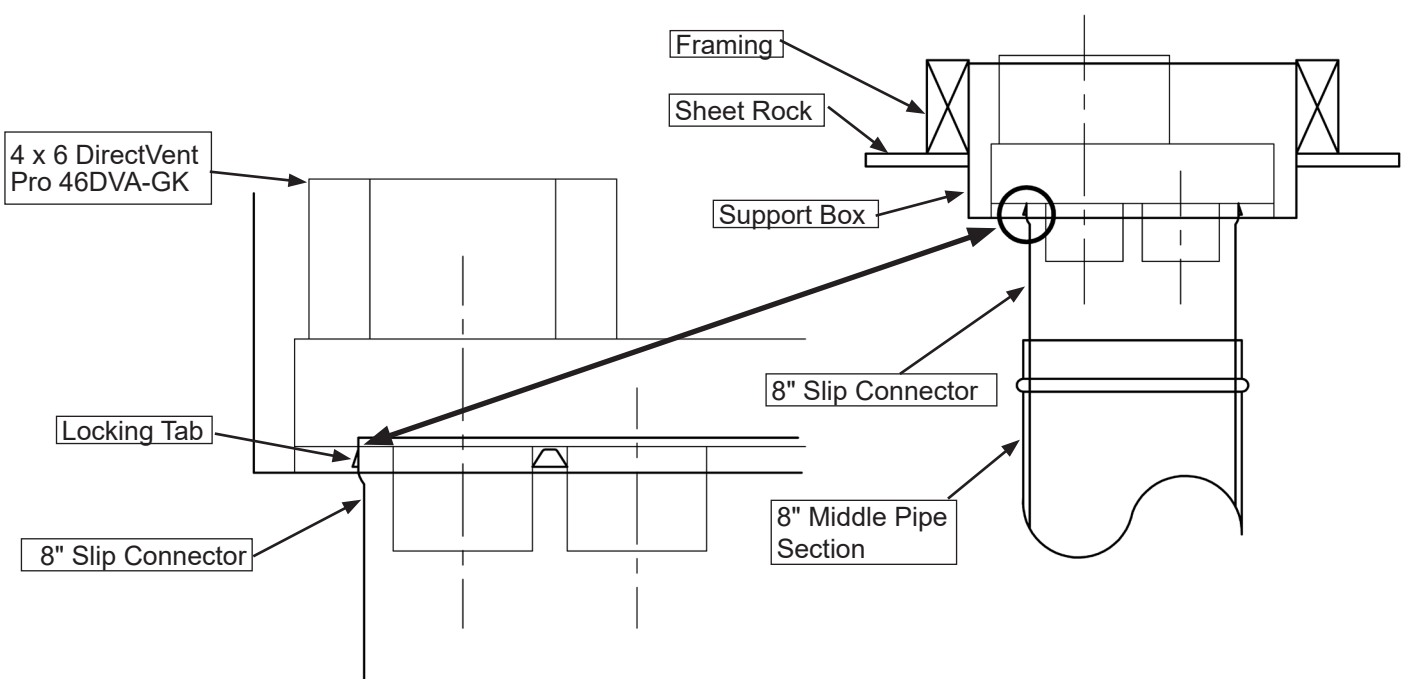
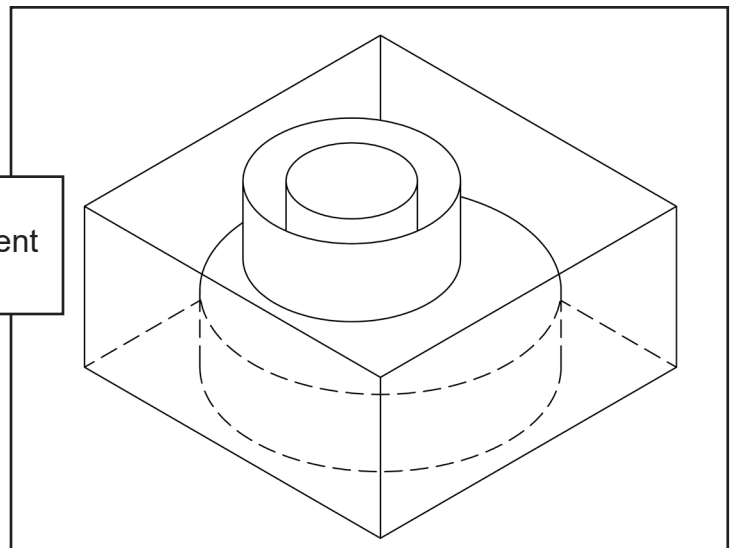
GAS LINE ATTACHMENT

The gas supply line must be installed at the rear center of the gas unit. This supply line must be a minimum of 1/2", black iron type pipe. A separate manual shut off valve should always be used. Check with local codes for its required placement and valve type. In general it must be placed within 6' of the appliance. This valve is not provided.



Venting Detail

SUPPORT BOX WITH 46DVA-GK
Converts the two 3 inch flex to the DuraVent DirectVent Pro 4 x 6-5/8 inch vent.



VENTING

THE APPLIANCE MUST NOT BE CONNECTED TO A CHIMNEY FLUE SERVING A SEPARATE SOLID FUEL BURNING APPLIANCE.

This appliance is designed to be attached to two 3" (76mm) co-linear aluminium flex running the full length of the chimney connector from the unit to the support box. The flue length must be a minimum length of 8' (2.44m) and a maximum of 35' (10.7m).

Periodically check that the vent is unrestricted. Masonry chimneys may take various contours which the flexible liner will accommodate. However, keep the flexible liner as straight as possible, avoid unnecessary bending.

Alternative Approved Venting Components*

46DVA-VCH High Wind Cap 46DVA-GK 3" Co-linear Adaptor with flashing

We recommend using the Simpson Dura-Vent System 46DVA-GK adapter and 46DVA-VCH high-wind cap. The Air Intake pipe must be attached to the inlet air collar of the termination cap.

*NOTE: Simpson Duravent can only be used with 3" liners.

Vent Run	Vent Restrictor Position	Burner Aeration Setting
8' to 20'	1"	3/16"
20' to 35'	3/4"	3/16"

NOTE: See instructions in the "Vent Restrictor Position" section on positioning of the vent restrictor.

Vertical Minimum and Maximums

The flue length must be a minimum length of 8' (2.44m) and a maximum of 35' (10.7m). Periodically check that the vent is unrestricted

Horizontal Minimum

The minimum connector length is 30" from the top of the unit to the top of the connector prior to the elbow.

For additional venting options see page 11 of the Regency L234 Manual provided in this manual.

The unit is a vented appliance and must be connected to a chimney/flue in accordance with the code, using the chimney manufacturer's instructions.

VERTICAL INSTALLATION

The 34ZDV is installed with the use of 2 - 3" flex tubes. One for the exhaust and one for the air intake. It is very important to connect them to the correct couplings. The Exhaust must be connected to the Exhaust fitting at the support box. The Intake must be connected to the Intake connector. If the flex tube is cut mark the ends prior to cutting.

Step 1. The Dura Vent DirectVent Pro 4" x 6 5/8" coaxial pipe must have a 1" clearance to combustibles when passing through ceilings, walls, roofs, enclosures, attic rafters, or other nearby combustible surfaces. Do not pack air spaces with insulation. Check the appliance manufacturer's instructions for maximum vertical rise of the venting system and any maximum horizontal offset limitations.

The support box must be mounted in the ceiling. The placement must be in an area that is

clear of roof rafters or joists. Avoid hip supports or engineered rafters or beams. Elbows are available that should in most installations allow you to avoid these areas. Follow DuraVent's instructions for the proper installation of their DirectVent Pro 4" x 6 5/8" pipe that is run from the support box through the roof.

The 3" Flex and Dura Vent DirectVent Pro venting is available from your dealer or directly from Malm. It is not included in the price of the unit.

Step 2. Set the Zircon in the desired location. Drop a plumb bob down from the ceiling to the position of the appliance flue exit, and mark the location where the vent will penetrate the ceiling. Drill a small hole at this point. Next, drop a plumb bob from the roof to the hole previously drilled in the ceiling, and mark the spot where the vent will penetrate the roof (Fig. 13). Determine if ceiling

joists, roof rafters, framing or other materials will obstruct the venting system. You may wish to relocate the appliance, or to offset, to avoid cutting load-bearing members. There is a 1-7/8" offset from the center of the support box to the center of the DirectVent Pro 4" x 6 5/8" center. The Support Box can be installed with this offset oriented in any direction.

Step 3. To install Support Box in a flat ceiling cut a square hole in the ceiling 13" x 13" centered on the hole drilled in Step 2. Frame the hole as shown (Fig. 14).

Step 4. Install the support box with the bottom of the box 1" below the finished ceiling. Nailing strips are provided that can be used to secure the box to the framing and then sheet rocked over or can be used a trim over sheet rock already in place.

Step 5. Assemble the desired DirectVent Pro Pipe Sections and Elbows necessary to reach from the Support Box. Ensure that all Pipe and Elbow connections are in their fully twist-locked position.

Step 6. Cut a hole in the roof centered on the DirectVent Pro pipe from the Support Box. The opening should be of sufficient size to allow a 1" minimum clearance to combustibles. Continue to assemble Pipe Sections and Elbows as necessary to reach up through the roof line. Galvanized Pipe and Elbows may be utilized in the attic, as well as above the roof line. The galvanized finish is desirable above the roof line, due to higher corrosion resistance.

Notes:

- (1) If exact lengths or distances must be met between Elbow offsets or elsewhere, use the Pipe Extensions to adjust onto standard Pipe Sections
- (2) If an offset is necessary in the attic to avoid obstructions, it is important to support the vent pipe in order to avoid excessive stress on the Elbows. Wall Straps or plumbers tape may be used for this purpose (Fig. 16).
- (3) Wherever possible, use 45° Elbows instead of 90° Elbows. The 45° Elbow offers less restriction to the flow of flue gases and intake air.

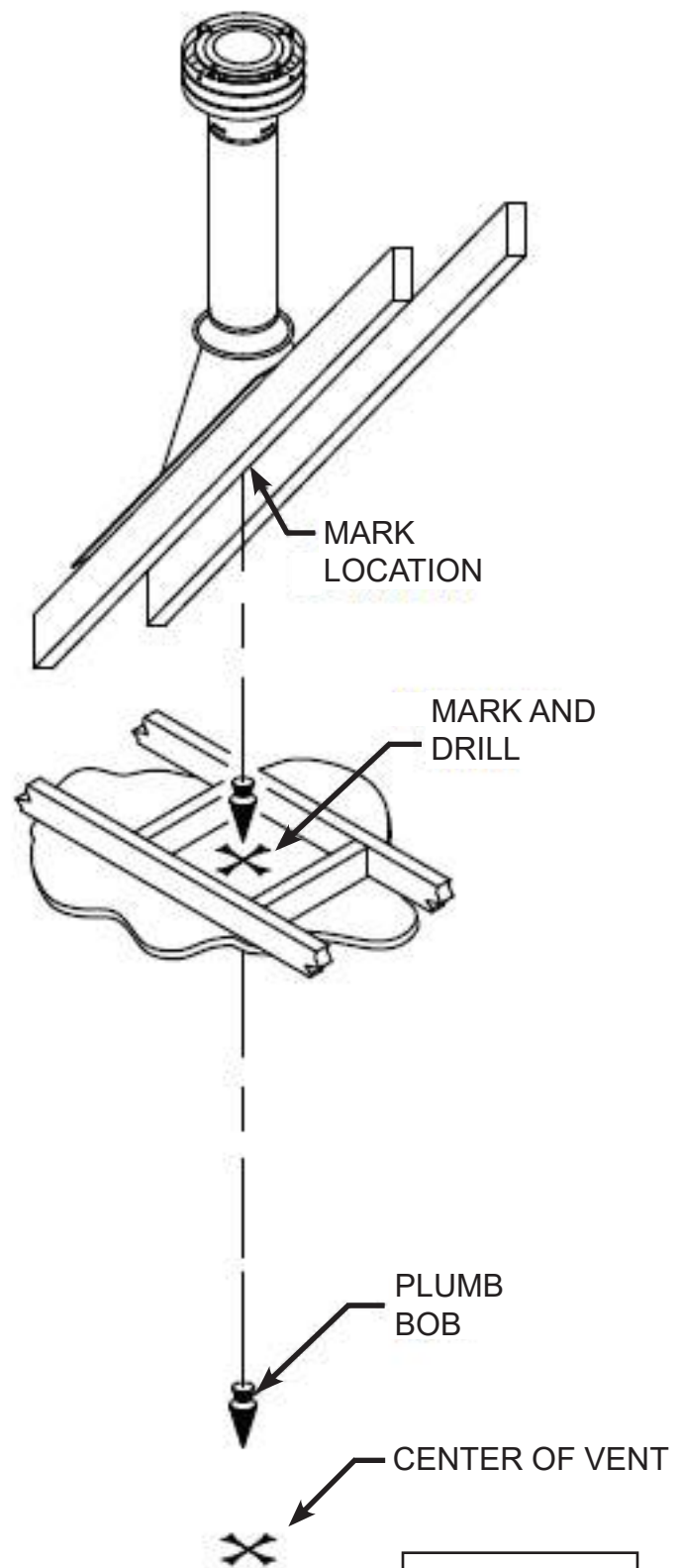


FIGURE 13

Step 7. Slip the Roof Flashing over the Pipe

Section(s) protruding through the roof. Use a non-hardening sealant between the Roof Flashing and the roofing to prevent water leakage. Secure the base of the Roof Flashing to the roof with roofing nails. Ensure the roofing material overlaps the top edge of the Roof Flashing (Fig. 18). Verify that you have at least the minimum clearance to combustibles at the roof line and in the attic.

Step 8. Continue to add Pipe Sections until the height of the system (before adding the Cap) meets the minimum building code requirements as described in (Table 3 and Fig. 17). Note that for steep roof pitches, the vent height must be increased. In high wind conditions, nearby trees, adjoining roof lines, steep pitched roofs, and other similar factors can result in poor draft, or down drafting. In these cases, increasing the vent height or switching to the High Wind Termination Cap may help to solve the problem.

Step 9. Slip the Storm Collar over the Pipe Section, and push it down to the top of the Roof Flashing (Fig. 18). Use non-hardening sealant between the Storm Collar and the Pipe Section.

Step 10. Holding the bottom of the Termination Cap only, twist lock the cap onto the last Pipe Section protruding above the roof line.

Notes:

(1) For multi-story vertical installations, a Ceiling Firestop is required at the second floor, and any subsequent floors (Fig. 19). Refer to Table 1, page 8. Cut and frame a square opening for installation of the Ceiling Firestop.

(2) If Vent passes through any occupied areas above the first floor, including closets and storage spaces, it must be enclosed. The enclosure may be framed and sheetrocked with standard construction materials, but required 1" clearance to combustibles must be maintained. Do not fill required air spaces with insulation.

(3) If venting system passes through an attic space the Attic Insulation Shield or a chase enclosure must be installed to prevent contact between Pipe Sections and the insulation or other debris. For the Attic Insulation Shield, nail the base to floor of attic and adjust shield for appropriate insulation level, then attach the collar at the top of assembly (Fig. 19).

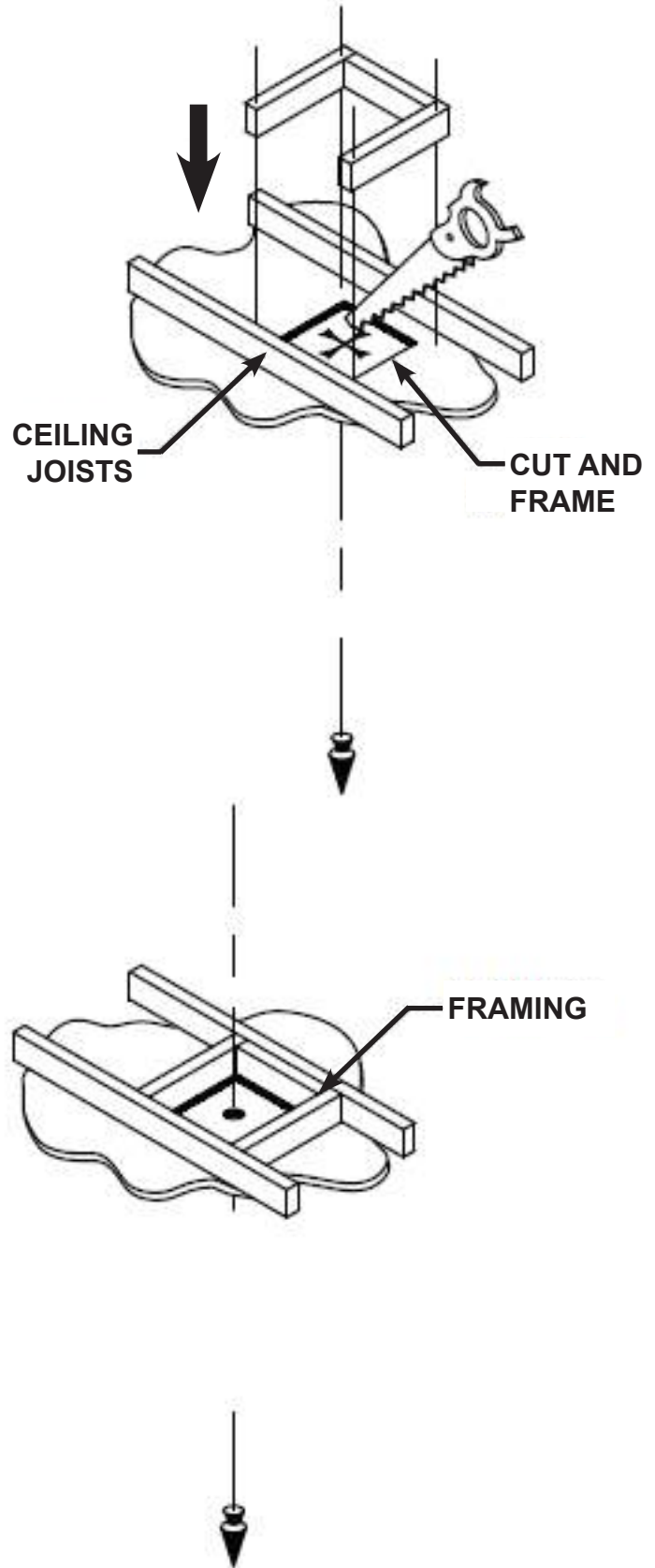


Figure 14

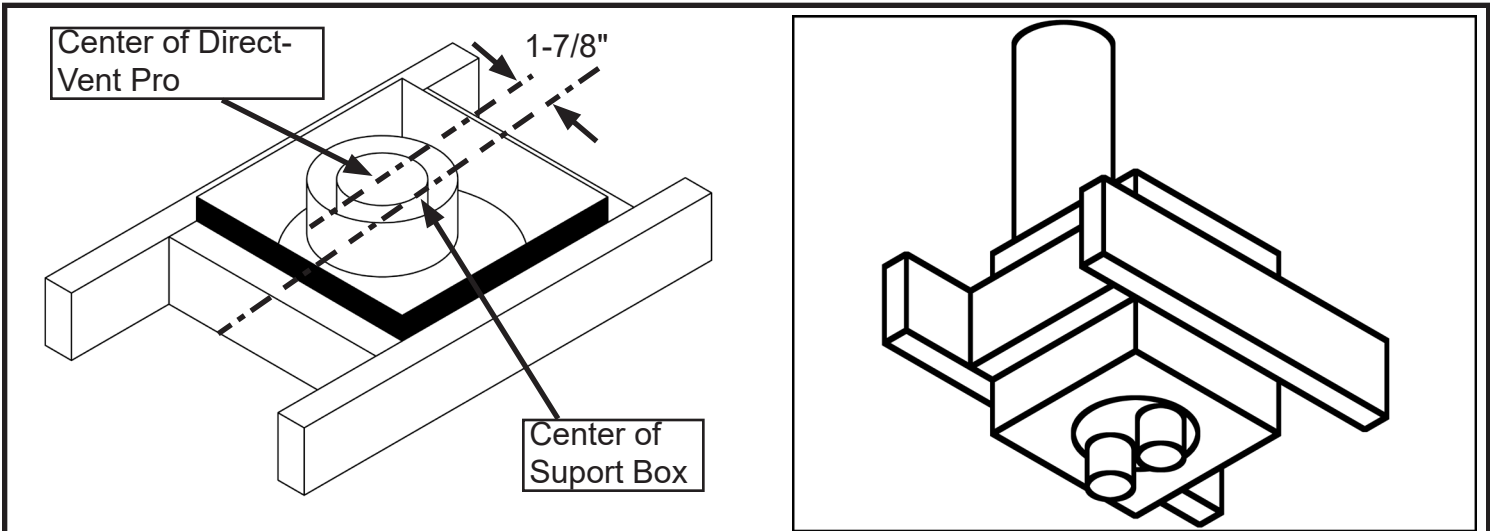


Figure 15
 There is a 1-7/8" offset from the center of the support box to the center of the DirectVent Pro 4" x 6 5/8" center. The Support Box can be installed with this offset oriented in any direction.

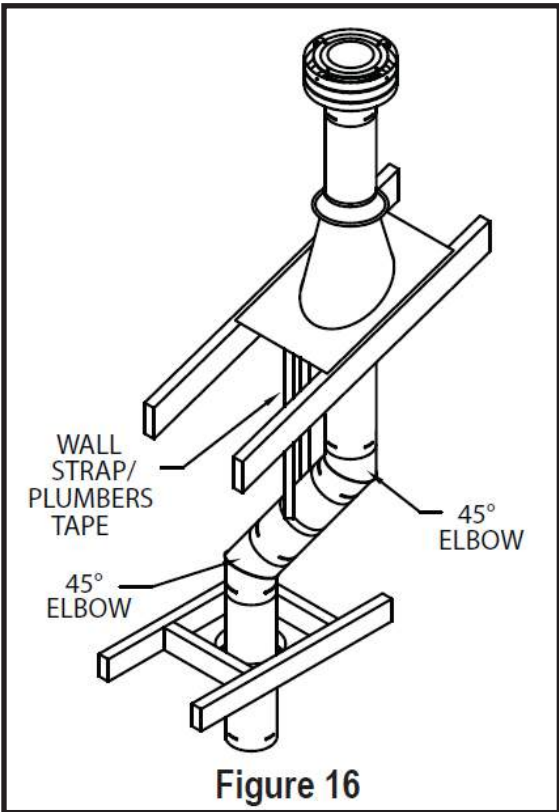
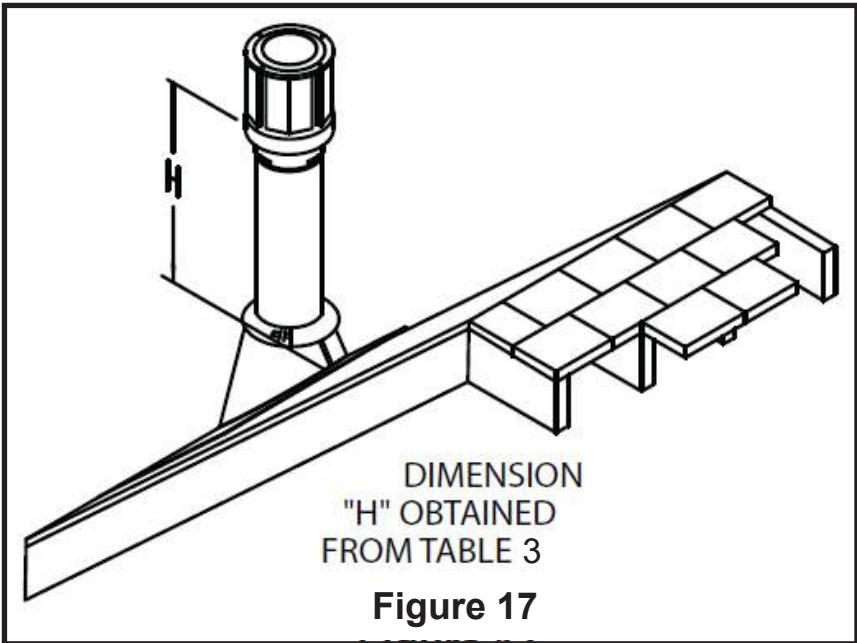


Figure 16

Step 10 - Note 3 continued

For a chase enclosure, it may be constructed out of sheetrock or similar building materials and framed around the support box or the pipe, maintaining the clearance to combustibles of 1". For vaulted ceilings a chase enclosure must be constructed as the Attic Insulation Shield can not be installed. Deeper Support Boxes are available as well.



DIMENSION "H" OBTAINED FROM TABLE 3
Figure 17

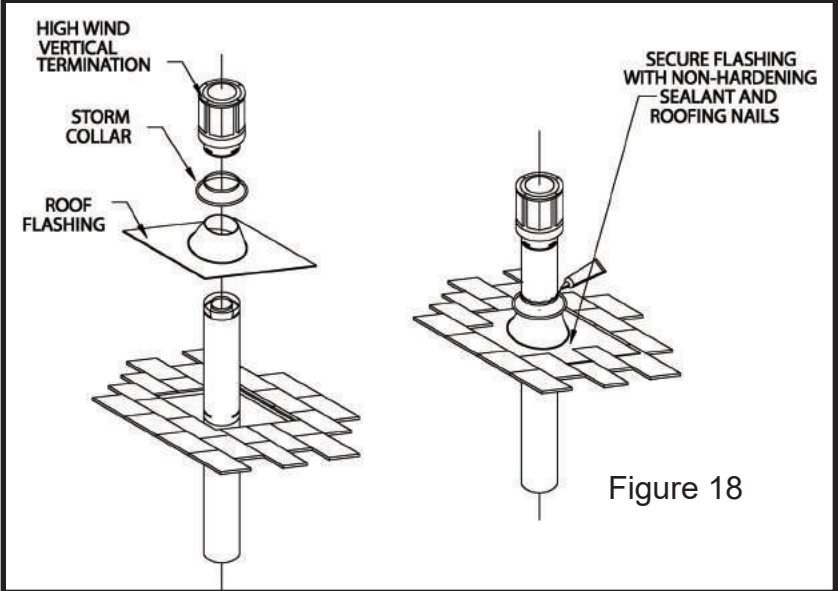


Figure 18

CATHEDRAL CEILING INSTALLATION

Step 1. Follow installation Steps 1 and 2 under Vertical Terminations.

Step 2. Using the plumb bob, mark Figure 18 the center line of the venting system on the ceiling and drill a small hole through the ceiling and roof at this point. From the roof, locate the drill hole and mark the outline of the Cathedral Ceiling Support Box.

Step 3. Remove shingles or other roof covering as necessary to cut the rectangular hole for the Support Box (refer to Table 1 for dimensions). Cut the hole 1/8-inch larger than the Support Box outline.

Step 4. Lower the Support Box through the hole in the roof until Support Box protrudes at least 1-inch below the low side of the ceiling (Fig. 20). Align the Support Box both vertically and horizontally with a level. Temporarily tack the Support Box in place through the inside walls and into the roof sheathing.

Step 5. Using tin snips, cut the Support Box from the top corners down to the roof line, and fold the resulting flaps over the roof sheathing. The flaps may be trimmed as needed (Fig. 21). Before nailing it to the roof, run a bead of non-hardening sealant around the Support Box, to make a seal between the Support Box and the roof. Clean out any combustible material from inside the Support Box.

Step 6. Follow Steps 4 and 5 (page 14) of the Vertical Installation Instructions.

Step 7. Follow Steps 7 through 10 (page 15 & 16) of the Vertical Installation Instructions.

Step 8. Install the black Trim Collar around the outside of the Cathedral Ceiling Support Box. The two pieces of the Trim Collar slide over one another to allow for easy adjustment around the Support Box. Using the six (6) screws provided, secure the four corners and the overlapping sections of the Trim Collar to the underside of ceiling. You may want to pre-drill the holes for the overlapped sections for ease of installation (Fig. 22).

ROOF PITCH	MINIMUM HEIGHT	
	Feet	Meters
Flat to 7/12	1	0.3
Over 7/12 to 8/12	1.5	0.46
Over 8/12 to 9/12	2	0.61
Over 9/12 to 10/12	2.5	0.76
Over 10/12 to 11/12	3.25	0.99
Over 11/12 to 12/12	4	1.22
Over 12/12 to 14/12	5	1.52
Over 14/12 to 16/12	6	1.83
Over 16/12 to 18/12	7	2.13
Over 18/12 to 20/12	7.5	2.29
Over 10/12 to 21/12	8	2.44

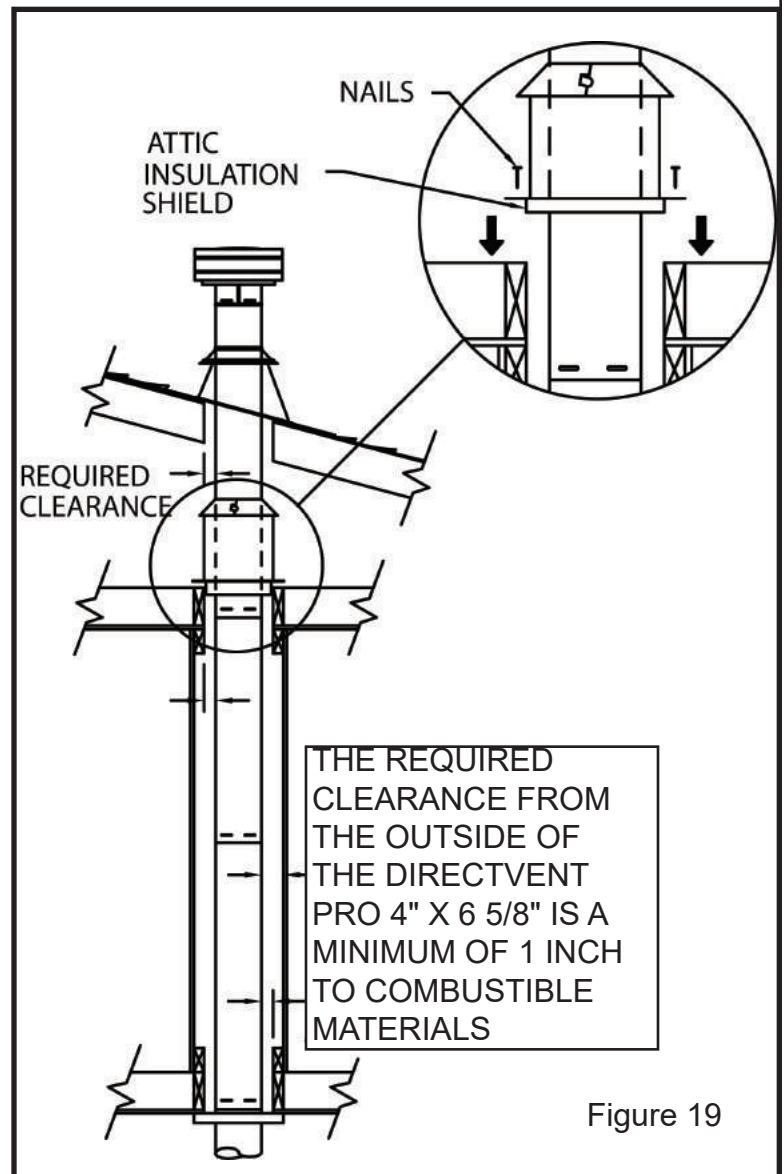


Figure 19

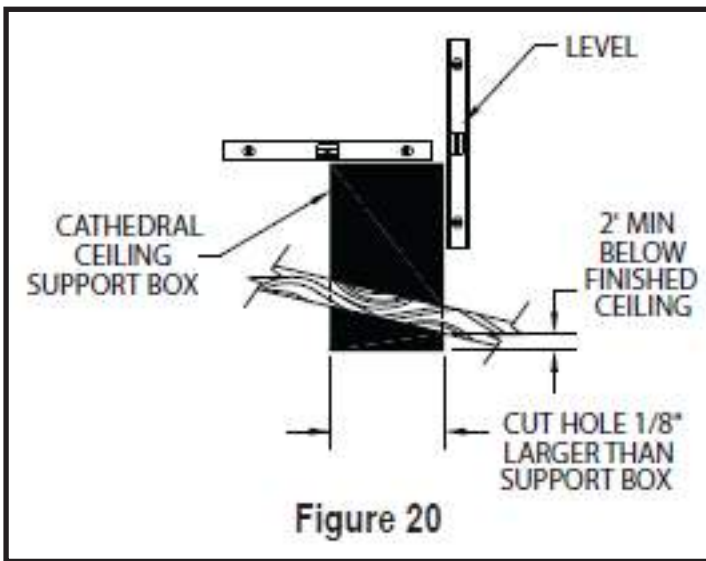


Figure 20

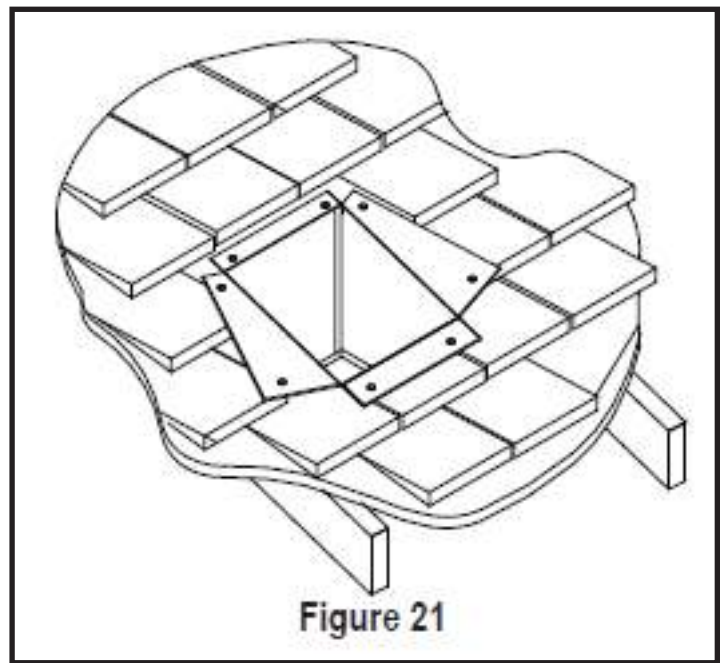


Figure 21

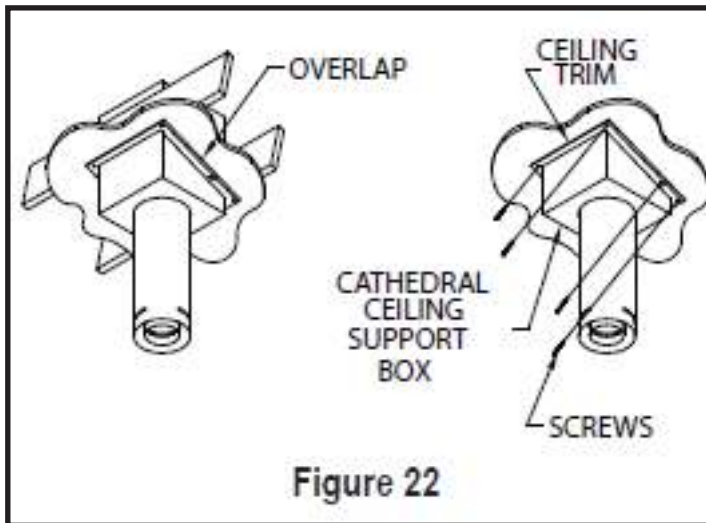


Figure 22

DuraVent DirectVent Pro GENERAL MAINTENANCE

Conduct an inspection of the venting system annually. Recommended areas to inspect are as follows:

1. Check areas of the Venting System which are exposed to the elements for corrosion. These will appear as rust spots or streaks, and in extreme cases, holes. These component should immediately be replaced.
2. Remove the Vertical Termination Cap and shine a flashlight down the Vent. Remove any bird nests, or other foreign material.
3. Check for evidences of excessive condensation, such as water droplets forming in the inner liner, and subsequently dripping at joints. Continuous condensate can cause corrosion of caps, pipe, and fittings. It may be caused by having excessive lateral runs, too many elbows, and exterior portions of the system being exposed to cold weather.
4. Inspect joints to verify that no Pipe Sections or Fittings have been disturbed or loosened. Also check mechanical supports such as Wall Straps or plumbers tape for rigidity.

Pipe Sections and the insulation or other debris. For the Attic Insulation Shield, nail the base to floor of attic and adjust shield for appropriate insulation level, then attach the collar at the top of assembly (Fig. 19). For a chase enclosure, it may be constructed out of sheetrock or similar building materials and framed around the support box or the pipe, maintaining the 1" clearance to combustibles. For vaulted ceilings a chase enclosure must be constructed as the Attic Insulation Shield can not be installed.

Unit Connector to Support Box Connection

3 inch flex is used from the unit connectors to the support box. It is mandatory that the ends be connected to the correct connections on the support box. The exhaust from the unit must be connected to the corresponding exhaust connector on the support box. Failure to properly connect the unit exhaust connector to the support box exhaust connection could result in damage to the venting and or unit. The flex pipe is not included with the unit. It is available from Malm or your dealer in 25' and 35' lengths.

Step 1. Determine the length of flex needed from the unit connectors to the Support Box. If additional flex lengths are needed connect two sections together using 3 inch connectors.

Step 2. Cut the flex to the length needed. Select a length to be the Exhaust length and mark both ends.

Step 3. Connect the section of flex marked as the Exhaust in Step 2 and Sheet Metal Screw the Flex Pipe to the Exhaust Connector at Top of unit hood.

Step 4. Connect the non-marked vent to the Intake Connector at the top of the unit connector.

Step 5. The unit connector pipe covers the 3" flex. The Standard unit includes enough connector pipe for a ceiling height of 96 inches or 8 feet from the floor to the ceiling. This is consists of 3 - 24 inch lengths of pipe.

- 1 - Connector Pipe
- 1 - Mid Pipe Section
- 1 - Slip Pipe Section

Step 6. Thread the two flex tubes thru the Starter Pipe Section and place the Starter Section into the unit hood.

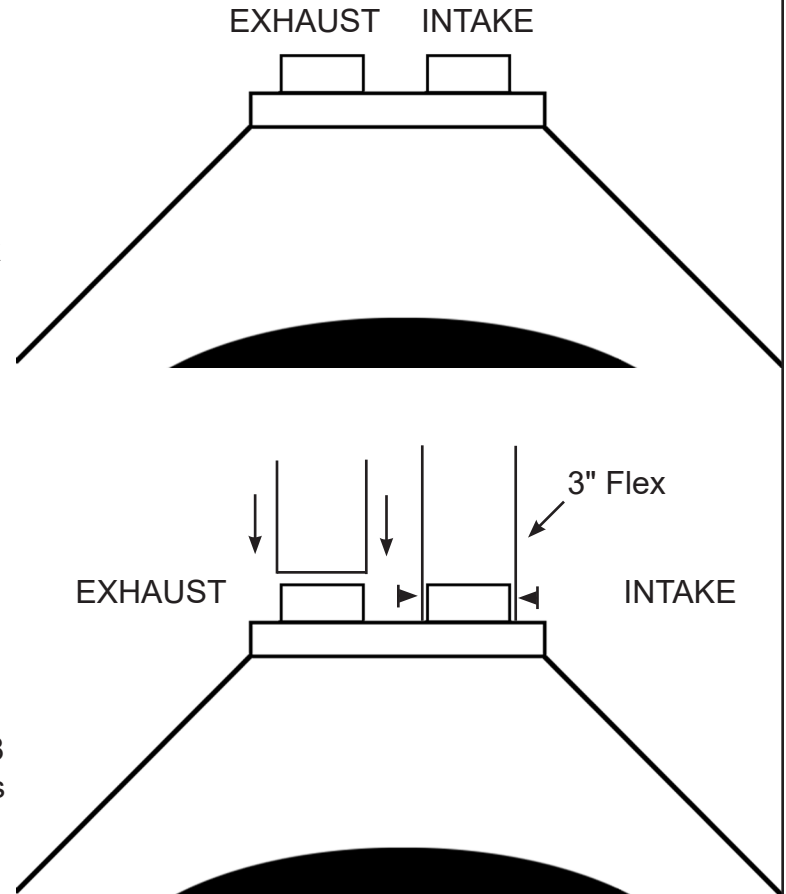
Step 7. Insert the Slip Pipe Section into the Mid Section only as far as necessary to make the flex connection at the Support Box connectors. This should be about 4 inches below the Support Box.

Step 8. Slide the Mid and Slip pipes over the 3 inch flex as you insert the Mid Pipe Section into the top of the Starter Pipe Section.

Step 9. Connect the marked Exhaust flex tube to the Exhaust connector at the Support Box by sheet metal screws or hose clamps.

Step 10. Connect the Intake flex tube to the Intake connector of the Support Box by sheet metal screws or hose clamps and make certain that the connections are secure.

Step 11. Extend the slip section into the Support Box. Make sure that the cleats on the end of the pipe are locked into the Support Box.



34" Zircon Direct Vent Through the Wall Vent Installation

The 34 Zircon Direct Vent can be installed with a through the wall kit available from Malm. The through the wall vent kit consists of the following:

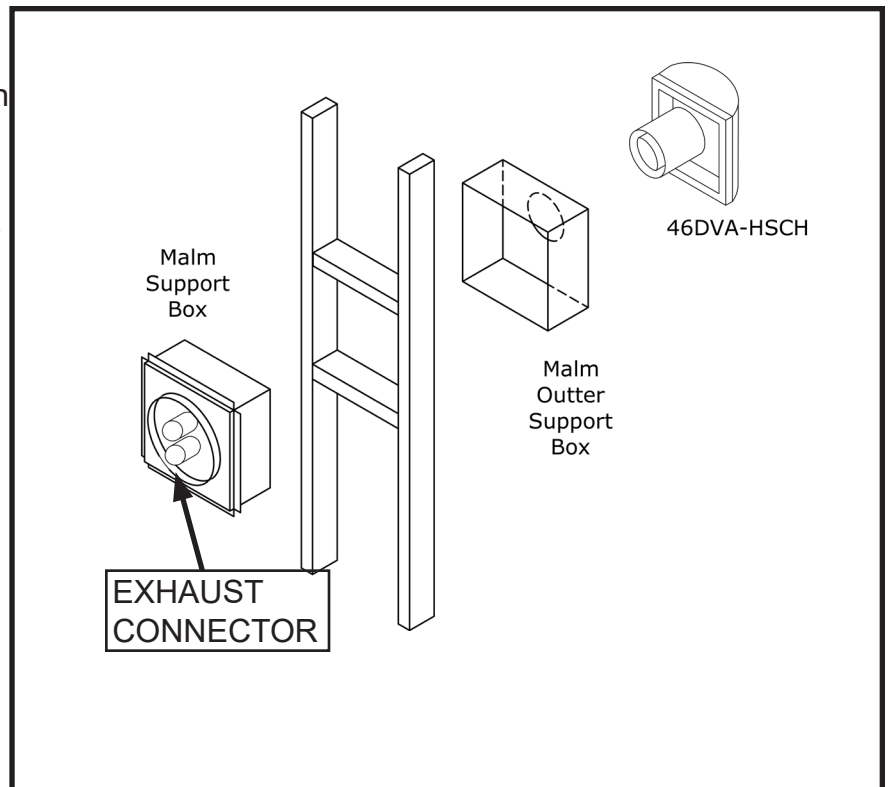
- 1 - Inner and Outer support box.
- 1 - Dura Vent 46DVA-GK flex to 4" x 6" to Direct Vent Pro.
- 1 - Dura Vent 46DVA-HSCH High Wind Sconce Termination.

The clearance to combustibles for the DirectVent Pro coaxial vent is 2" on the top of the pipe to a combustible and 1" on the sides and bottom.

A minimum clearance of 12" must be maintained from the top of the cover pipe or elbow to the ceiling.

The horizontal run of venting must be level, or have a 1/4-inch rise for every 1-foot of run towards the termination. Never allow the vent to run downward. A downward slope can trap heat and become a possible fire hazard.

The first step is to locate the center of the horizontal pipe location. The minimum height is 68" from the floor to the center of the support box. This is a minimum height and may be exceeded. The vent is required to be a minimum of 18" below any eaves or roof overhang.



The location of the Horizontal Vent Termination on an exterior wall must meet all local and national building codes, and must not be easily blocked or obstructed. Termination clearances are as follows:

- (a) Clearance above the ground, veranda, porch, deck, or balcony: 12 inches minimum.
- (b) Clearance to a window (operable or fixed closed) or door: 12 inches minimum.
- (c) Vertical clearance to a ventilated soffit located above the Termination Cap (if soffit extends a horizontal distance of 2 feet out over the center line of the termination): 18 inches minimum.
- (d) Clearance to an unventilated soffit: 12 inches minimum.
- (e) Clearance to an outside corner: as tested by appliance manufacturer.
- (f) Clearance to an inside corner: as tested by appliance manufacturer.
- (g) Not to be installed above a meter/ regulator assembly within 3 feet horizontally from the center line of the regulator.
- (h) Clearance to a service regulator vent outlet: 6 feet minimum.
- (i) Clearance to non-mechanical air supply inlet to a building or the combustion air inlet to any other appliance: 12 inches minimum.
- (j) Clearance to a mechanical air supply inlet: 6 feet minimum.
- (k) Clearance above a paved sidewalk or paved driveway located on public property: refer to local code.
- (l) Clearance under a veranda, porch, deck or balcony: 12 inches minimum.

If the location has a stud blocking the installation it must be cross framed prior to installation of the support box.

The support box requires a 13 1/4 x 13 1/4 framing.

The support box must be installed with the Exhaust connector at the bottom of the box.

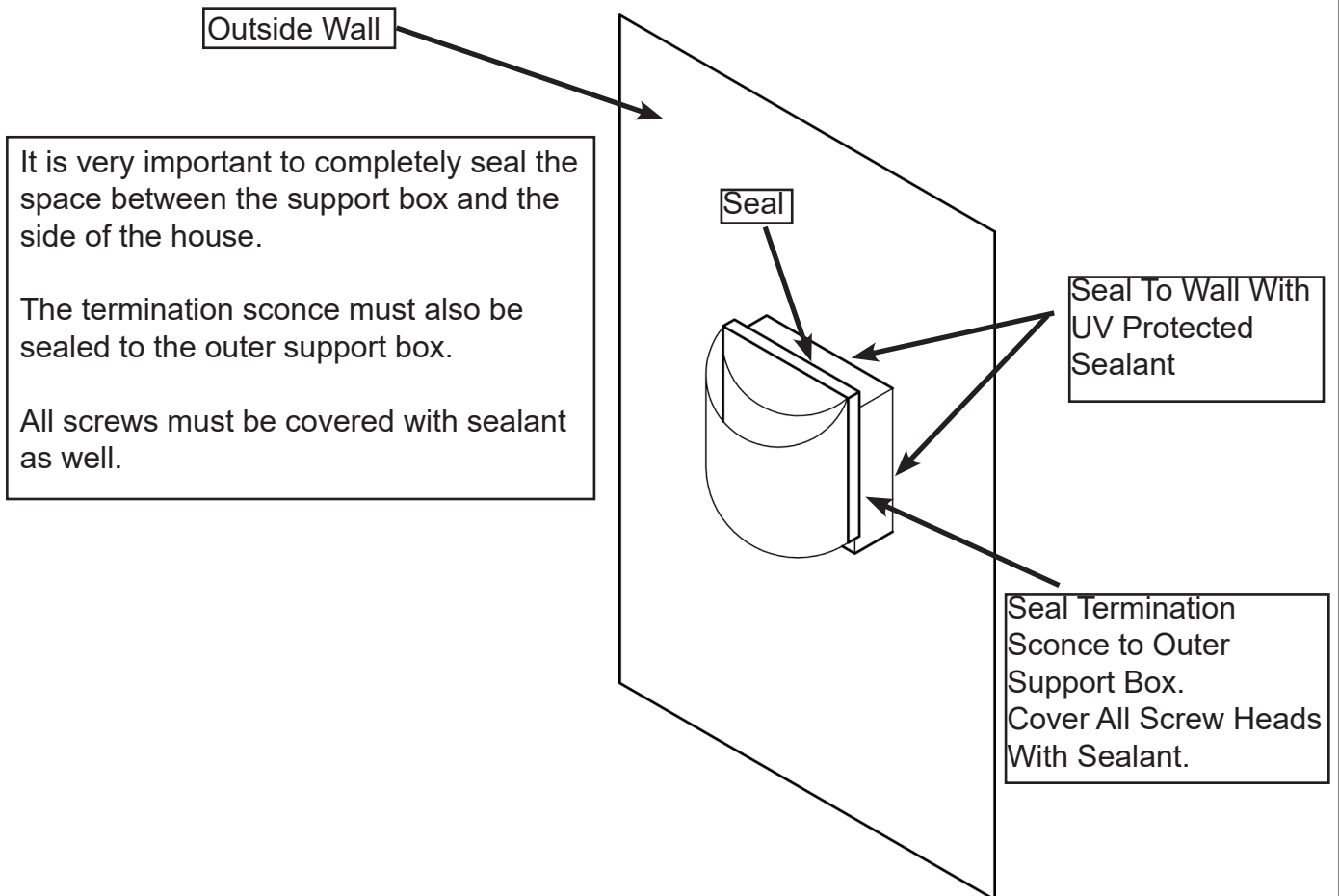
Nailing flanges are included that can be attached to the support box if needed. They can be set at 1/2" from the face of the support box. 1/2" sheetrock can then be placed over the nailing strips for a flush finish to the box.

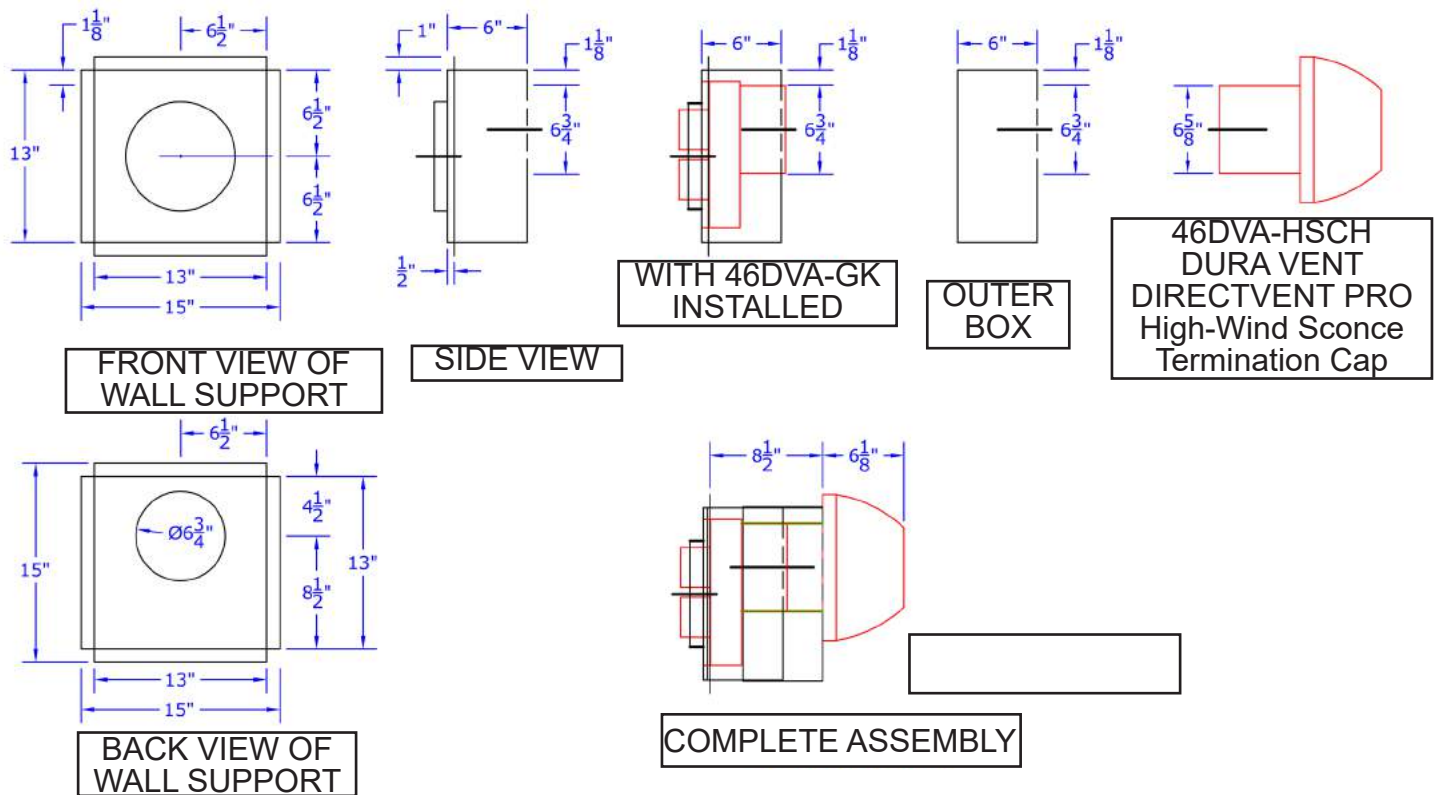
Secure the support box by screwing the box through the nailing flange to the support framing. Once the inner support box is placed into the framing the outer support box is installed over the inner support box. The width of the wall will determine how far the box will extend from the outside wall.

Seal the support box to the side of the house with a high grade UV sealant.

The termination scone can now be installed. The 4" x 6 5/8" pipe from the scone slips through the back of the support on onto the 4" x 6 5/8" pipe from the 46DVA-GK. Attach the termination scone with sheet metal screws to the outer box.

Seal the back of the scone to the outer support box where the two pieces meet, Seal over all sheet metal screws.



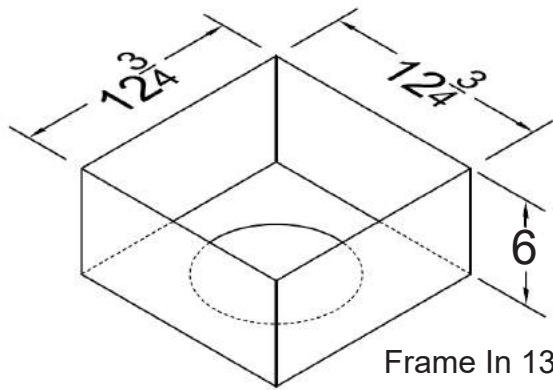


DuraVent DirectVent Pro GENERAL MAINTENANCE

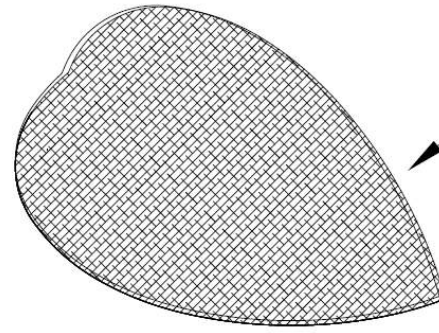
Conduct an inspection of the venting system annually. Recommended areas to inspect are as follows:

1. Check areas of the Venting System which are exposed to the elements for corrosion. These will appear as rust spots or streaks, and in extreme cases, holes. These component should immediately be replaced.
2. Remove the Vertical Termination Cap and shine a flashlight down the Vent. Remove any bird nests, or other foreign material.
3. Check for evidences of excessive condensation, such as water droplets forming in the inner liner, and subsequently dripping at joints. Continuous condensate can cause corrosion of caps, pipe, and fittings. It may be caused by having excessive lateral runs, too many elbows, and exterior portions of the system being exposed to cold weather.
4. Inspect joints to verify that no Pipe Sections or Fittings have been disturbed or loosened. Also check mechanical supports such as Wall Straps or plumbers tape for rigidity.

Pipe Sections and the insulation or other debris. For the Attic Insulation Shield, nail the base to floor of attic and adjust shield for appropriate insulation level, then attach the collar at the top of assembly (Fig. 19). For a chase enclosure, it may be constructed out of sheetrock or similar building materials and framed around the support box or the pipe, maintaining the 1" clearance to combustibles as required by the appliance manufacturer. For vaulted ceilings a chase enclosure must be constructed as the Attic Insulation Shield can not be installed.



A deeper support box available for pitched or open beam ceilings.



Fireplace
Screen
Barrier.

It is important to read the Regency Manual and follow the procedures for setting the Regency unit for your installation.

The vent restrictor must be checked and the burner air shutter for your installation.

A copy of these instructions are available online at www.malmfireplaces.com

Malm Fireplaces, Inc.

368 Yolanda Avenue
Santa Rosa, Ca 95404
(707) 523-7755 - (800) 535-8955
Fax: (707) 571-8036
email: info@malmfireplaces.com



Liberty® L234 Gas Insert

MODELS: L234-NG10 Natural Gas L234-LP10 Propane

Owners & Installation Manual



Liberty L234 Product Video

⚠ WARNING

FIRE OR EXPLOSION HAZARD

Failure to follow safety warnings exactly could result in serious injury, death, or property damage.

- Do not store or use gasoline or other flammable vapors and liquids in the vicinity of this or any other appliance.

- **WHAT TO DO IF YOU SMELL GAS**
 - Do not try to light any appliance.
 - Do not touch any electrical switch: do not use any phone in your building. Leave the building immediately.
 - Immediately call your gas supplier from a neighbour's phone. Follow the gas supplier's instructions.
 - If you cannot reach your gas supplier, call the fire department.

Installation and service must be performed by a qualified installer, service agency or the gas supplier.

Tested by:



Installer: Please complete the details on the back cover and leave this manual with the homeowner.

Homeowner: Please keep these instructions for future reference.


REGENCY GAS FIREPLACE INSERT

TO THE NEW OWNER


Congratulations! You are the owner of a state-of-the-art Gas Insert by Regency.

The L234 Direct Vent Gas Insert has been designed to provide you with all the warmth and charm of a fireplace, at the flick of a switch. The L234-NG10 and L234-LP10 have been approved by Warnock Hersey /Intertek for both safety and efficiency.

As it also bears our own mark, it promises to provide you with economy, comfort and security for many trouble free years to follow. Please take a moment now to acquaint yourself with these instructions and the many features of your Regency Fireplace.



DANGER



**HOT GLASS WILL
CAUSE BURNS**

**DO NOT TOUCH GLASS
UNTIL COOLED**

**NEVER ALLOW CHILDREN
TO TOUCH GLASS**

A barrier designed to reduce the risk of burns from the hot viewing glass is provided with this appliance and shall be installed for the protection of children and other at risk individuals.

CAUTION:
HOT WHILE IN OPERATION. DO NOT TOUCH.
SEVERE BURNS MAY RESULT. KEEP CHILDREN, CLOTHING, FURNITURE,
GASOLINE, AND ANY LIQUIDS WITH FLAMMABLE VAPOURS AWAY.

**KEEP BURNER AND CONTROL COMPARTMENT CLEAN.
SEE INSTALLATION AND OPERATING INSTRUCTIONS ACCOMPANYING
APPLIANCE.**

919-358

NATIONAL
FIREPLACE
INSTITUTE



www.nficertified.org

We recommend that our products be installed and serviced by professionals who are certified in the U.S. by the National Fireplace Institute® (NFI) or in Canada by Wood Energy Technical Training (WETT).



Liberty L234 Product Video



*Regency Liberty
Gas Inserts Benefits Video*

Installation

MA Code - CO Detector5
 (for the State of Massachusetts only)5
 For Your Safety7
 Important Message8
 Gas Pressure Testing8
 Specifications8
 Gas Pressure Testing9
 Installation Into A Solid Fuel Burning Fireplace
 Or Factory Built Fireplace9
 Before You Start.....9
 Factory-Built (Metal) Wood-Burning Fireplace
 Requirements9
 Installation Checklist.....10
 Materials Required10
 Minimum Fireplace Opening.....10
 Minimum Clearances To Combustibles.....11
 Combustible Mantel Clearances.....11
 Venting.....12
 Converting from 3" & 3" venting to 3" & 2".....13
 Vent Restrictor Position13
 Flue Liner Installation14
 Gas Connection14
 Gas Insert Aeration adjustment.....15
 Gas Pipe Pressure Testing16
 SIT 829 Valve Description16
 Conversion from NG to LP.....17
 Optional Brick Panel Installation18
 Safety screen install19
 Glass door removal/install19
 Log Set Installation20
 Low profile faceplate Installation.....24
 Hearth trim Installation25

Wiring Diagrams26
 Optional Wall Thermostat27
 Final Check.....27
 DC Spark Igniter.....27
 Battery Installation27
 First Fire28

Operating Instructions

Operating Instructions28
 Lighting Procedure28
 Shutdown Procedure28
 Copy Of Lighting Instruction Plate29
 Normal Operating
 Sounds Of Gas Appliances29

Maintenance

Maintenance Instructions30
 Log Replacement30
 Glass Gasket.....30
 General Vent Maintenance30
 Door Glass30
 Fan Replacement31
 Valve Replacement.....33

Parts

Main Assembly35

Warranty

Warranty38

This appliance does not have the capability to adjust the fan speed using the supplied remote—even though the remote transmitter allows this function. The appliance fan is controlled by a fan speed controller (rheostat) or on/off switch depending on the model.

4 | safety decal

This is a copy of the labels that accompany each L234 Gas Insert. We have printed a copy of the contents here for your review. The safety label is located on a plate inside the base of the unit visible when the bottom louver is opened. Ensure that the safety label is attached to the unit.

NOTE: Regency units are constantly being improved. Check the label on the unit and if there is a difference, the label on the unit is the correct one.

For the State of Massachusetts, installation and repair must be done by a plumber or gasfitter licensed in the Commonwealth of Massachusetts.


For the State of Massachusetts, flexible connectors shall not exceed 36 inches in length.

For the State of Massachusetts, the appliances individual manual shut-off must be a t-handle type valve.

The State of Massachusetts requires the installation of a carbon monoxide alarm in accordance with NFPA 720 and a CO alarm with battery back up in the same room where the gas appliance is installed.

Duplicate Serial number / Copie No de série

332




Listed: VENTED GAS FIREPLACE HEATER /
FOYER AU GAZ À ÉVACUATION
Certified for/Certifiée pour: CANADA and U.S.A.
Certified to: CAN/CGA-2.17-M91(R2009)
Tested to: ANSI Z21.88-2014 & CSA 2.33-2014

**DO NOT REMOVE THIS LABEL /
NE PAS ENLEVER CETTE ÉTIQUETTE**

332

Serial No. / No de série




Model/Modèle:
L234-NG10

NATURAL GAS FIREPLACE INSERT: MODEL L234-NG10 ÉQUIPÉ EN USINE POUR GAZ NATUREL

Factory Equipped For Altitude 0-4500ft. (0-1370m)

Min. Supply Pressure	5"	WC	(1.25 kpa)	Pression d'alimentation minimum
Low Setting Man. Pressure	1.1"	WC	(0.27 kpa)	Pression de sortie (manifold) - basse
Max. Manifold Pressure	3.8"	WC	(0.95 kpa)	Pression de sortie (manifold) - max.
Orifice Size	42	DMS		Dimensions de l'orifice
Minimum Input	12,500	Btu/h	(6.89 kW)	Débit calorifique minimum
Maximum Input	23,500	Btu/h	(3.66 kW)	Débit calorifique maximum



Model/Modèle:
L234-LP10

PROPANE GAS FIREPLACE INSERT: MODEL L234-LP10 ÉQUIPÉ EN USINE POUR GAZ PROPANE

Factory Equipped For Altitude 0-4500ft. (0-1370m)

Min. Supply Pressure	12"	WC	(2.89 kpa)	Pression d'alimentation minimum
Low Setting Man. Pressure	2.9"	WC	(0.72 kpa)	Pression de sortie (manifold) - basse
Max. Manifold Pressure	11"	WC	(2.74 kpa)	Pression de sortie (manifold) - max.
Orifice Size	54	DMS		Dimensions de l'orifice
Minimum Input	11,000	Btu/h	(6.30 kW)	Débit calorifique minimum
Maximum Input	21,500	Btu/h	(3.22 kW)	Débit calorifique maximum

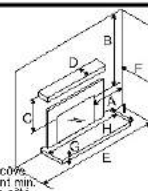
Mantel Clearances / Développements manteau

Alcove Width / Largeur alcove	E 66"	(1524mm)
Alcove Depth / Prof. alcove	F 36"	(914mm)

**Non-Combustible Hearth Extension/
Extension socle non combustible**

Hearth Height / Hauteur socle	G 1-1/2"	(38mm)
Hearth Width / Largeur socle	H 28"	(711mm)
Hearth Depth / Prof. socle	I 12"	(305mm)

* Alcove side wall must have a min. of 8" clearance on one side. * La paroi latérale de l'alcove doit avoir un décalage min. de 8 po par rapport à un coin.




Fan Part No. 910-331/P / Pièce ventilateur n°910-331/P
ELECTRICAL SUPPLY/ALIMENTATION ÉLECTRIQUE:
115V60HZ less than/Moins de 2 AMP.

**Minimum Clearances to Combustibles from Insert/
Développements min. des matériaux combustibles à l'encastable**

Side Walls / Parois latérales	A 8"	(203mm)
Ceiling / Plafond	B 58"	(1422mm)
Min. Mantel Height/Hauteur min. manteau	C 21"	(533mm)
Max. Mantel Depth/Prof. max. manteau	D 12"	(914mm)
Alcove Width / Largeur alcove	E 76"	(1930mm)

FPI Fireplace Products International Ltd.,
Delta BC, CANADA



MADE IN CANADA / FABRIQUÉ AU CANADA

This appliance must be installed in accordance with local codes, if any; if none, follow the National Fuel Gas Code, ANSI Z223.1, or Natural Gas and Propane Installation Code, CSA B149.1.

This appliance must be installed in accordance with the Standard CAN/CSA Z240 MH, Mobile Housing, in Canada, or with the Manufactured Home Construction and Safety Standard, Title 24 CFR, Part 3280, in the United States, or when such a standard is not applicable, ANSI/NCSCS A225.1/NFPA 501A, Manufactured Home Installations Standard.

This appliance is only for use with the type of gas indicated on the rating plate and may be installed in an aftermarket, permanently located, manufactured (mobile) home where not prohibited by local codes. See owner's manual for details.

This appliance is not convertible for use with other gases unless a certified kit is used.

WARNING: This fireplace has been converted for use with a gas fireplace insert only and cannot be used for burning wood or solid fuels unless all original parts have been replaced, and the fireplace re-approved by the authority having jurisdiction.

Installer l'appareil selon les codes ou règlements locaux, ou, en l'absence de tels règlements, selon les codes d'installation ANSI Z223.1, National Fuel Gas Code ou CSA-B149.1 en vigueur.

Cet appareil doit être installé conformément à la norme CAN/CSA-Z240, Série MH, Maison mobile ou CAN/CSA-Z240 VC, Véhicules de camping, au Canada ou à la norme 24 CFR Part 3280, Manufactured Home Construction and Safety Standard aux États-Unis. Si ces normes ne sont pas pertinentes, utilisez la norme ANSI/NCSCS A225.1/NFPA 501A, Manufactured Home Installations Standard.

Cet appareil doit être utilisé uniquement avec le type de gaz indiqué sur la plaque signalétique. Cet appareil peut être installé dans une maison préfabriquée ou mobile (É.-U. seulement) installée à demeure si les règlements locaux le permettent. Voir le manuel d'utilisation pour plus de renseignements. Cet appareil ne peut pas être utilisé avec d'autres gaz sauf si une trousse de conversion certifiée est utilisée.

AVERTISSEMENT : Ce foyer a été converti pour être utilisé avec un foyer au gaz encastrable et ne peut être utilisé pour brûler du bois ou d'autres combustibles solides à moins que toutes les pièces d'origine aient été remises en place et que le foyer ait été homologué de nouveau par une autorité compétente.

This vented gas fireplace heater is not for use with air filters. Ne pas utiliser de filtre à air avec ce foyer au gaz à évacuation.

For Use Only with Barrier (Part #537-000) Follow installation instructions.
Utiliser uniquement avec un écran de protection (pièce n°537-000). Suivre les instructions d'installation.

VENTED GAS FIREPLACE HEATER - NOT FOR USE WITH SOLID FUELS. / FOYER AU GAZ À ÉVACUATION - NE PAS UTILISER AVEC UN COMBUSTIBLE SOLIDE.

919-413

4 | Liberty® L234-10 Direct Vent Gas Insert

MA Code - CO Detector (for the State of Massachusetts only)

5.08: Modifications to NFPA-54, Chapter 10

(2) Revise 10.8.3 by adding the following additional requirements:

(a) For all side wall horizontally vented gas fueled equipment installed in every dwelling, building or structure used in whole or in part for residential purposes, including those owned or operated by the Commonwealth and where the side wall exhaust vent termination is less than seven (7) feet above finished grade in the area of the venting, including but not limited to decks and porches, the following requirements shall be satisfied:

1. **INSTALLATION OF CARBON MONOXIDE DETECTORS.** At the time of installation of the side wall horizontal vented gas fueled equipment, the installing plumber or gasfitter shall observe that a hard wired carbon monoxide detector with an alarm and battery back-up is installed on the floor level where the gas equipment is to be installed. In addition, the installing plumber or gasfitter shall observe that a battery operated or hard wired carbon monoxide detector with an alarm is installed on each additional level of the dwelling, building or structure served by the side wall horizontal vented gas fueled equipment. It shall be the responsibility of the property owner to secure the services of qualified licensed professionals for the installation of hard wired carbon monoxide detectors

a. In the event that the side wall horizontally vented gas fueled equipment is installed in a crawl space or an attic, the hard wired carbon monoxide detector with alarm and battery back-up may be installed on the next adjacent floor level.

b. In the event that the requirements of this subdivision can not be met at the time of completion of installation, the owner shall have a period of thirty (30) days to comply with the above requirements; provided, however, that during said thirty (30) day period, a battery operated carbon monoxide detector with an alarm shall be installed.

2. **APPROVED CARBON MONOXIDE DETECTORS.** Each carbon monoxide detector as required in accordance with the above provisions shall comply with NFPA 720 and be ANSI/UL 2034 listed and IAS certified.

3. **SIGNAGE.** A metal or plastic identification plate shall be permanently mounted to the exterior of the building at a minimum height of eight (8) feet above grade directly in line with the exhaust vent terminal for the horizontally vented gas fueled heating appliance or equipment. The sign shall read, in print size no less than one-half (1/2) inch in size, "**GAS VENT DIRECTLY BELOW. KEEP CLEAR OF ALL OBSTRUCTIONS**".

4. **INSPECTION.** The state or local gas inspector of the side wall horizontally vented gas fueled equipment shall not approve the installation unless, upon inspection, the inspector observes carbon monoxide detectors and signage installed in accordance with the provisions of 248 CMR 5.08(2)(a)1 through 4.

(b) **EXEMPTIONS:** The following equipment is exempt from 248 CMR 5.08(2)(a)1 through 4:

1. The equipment listed in Chapter 10 entitled "Equipment Not Required To Be Vented" in the most current edition of NFPA 54 as adopted by the Board; and

2. Product Approved side wall horizontally vented gas fueled equipment installed in a room or structure separate from the dwelling, building or structure used in whole or in part for residential purposes.

(c) **MANUFACTURER REQUIREMENTS - GAS EQUIPMENT VENTING SYSTEM PROVIDED.** When the manufacturer of Product Approved side wall horizontally vented gas equipment provides a venting system design or venting system components with the equipment, the instructions provided by the manufacturer for installation of the equipment and the venting system shall include:

1. Detailed instructions for the installation of the venting system design or the venting system components; and

2. A complete parts list for the venting system design or venting system.

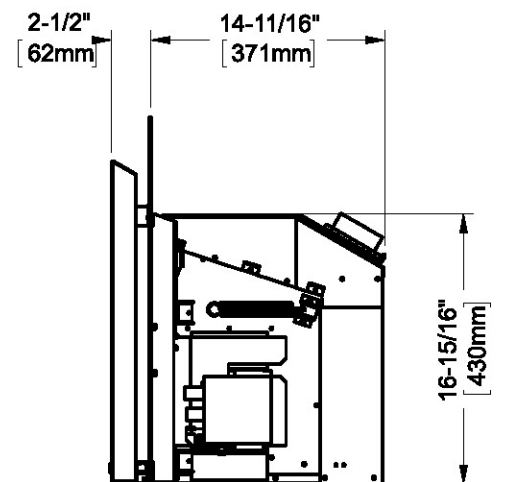
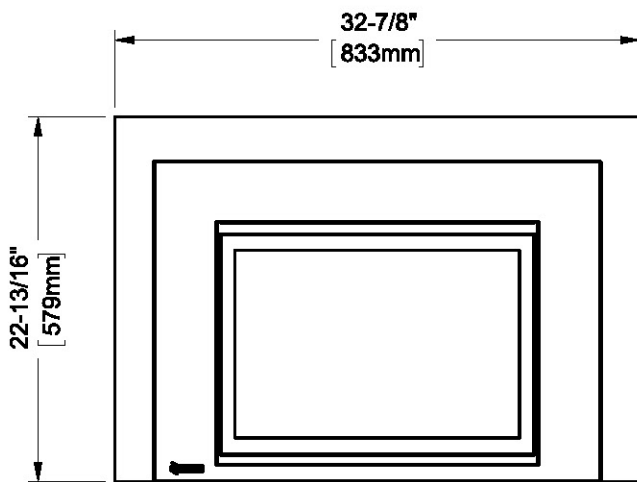
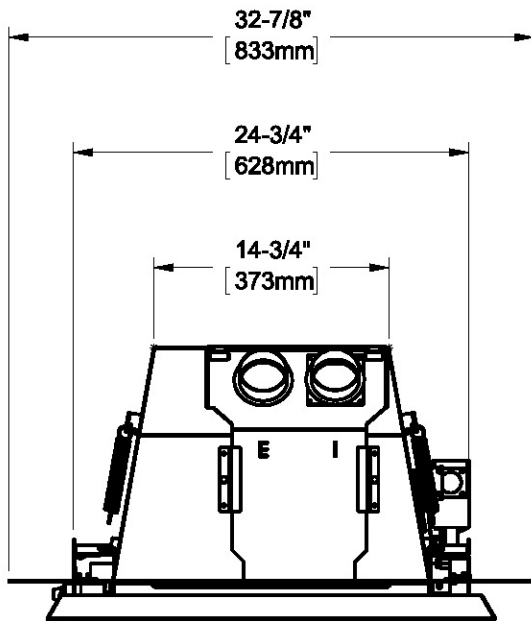
(d) **MANUFACTURER REQUIREMENTS - GAS EQUIPMENT VENTING SYSTEM NOT PROVIDED.** When the manufacturer of a Product Approved side wall horizontally vented gas fueled equipment does not provide the parts for venting the flue gases, but identifies "special venting systems", the following requirements shall be satisfied by the manufacturer:

1. The referenced "special venting system" instructions shall be included with the appliance or equipment installation instructions; and

2. The "special venting systems" shall be Product Approved by the Board, and the instructions for that system shall include a parts list and detailed installation instructions.

(e) A copy of all installation instructions for all Product Approved side wall horizontally vented gas fueled equipment, all venting instructions, all parts lists for venting instructions, and/or all venting design instructions shall remain with the appliance or equipment at the completion of the installation.

6 | dimensions



Shown with Low Profile Faceplate

ALL PICTURES / DIAGRAMS SHOWN THROUGHOUT THIS MANUAL ARE FOR ILLUSTRATION PURPOSES ONLY. ACTUAL PRODUCT MAY VARY DUE TO PRODUCT ENHANCEMENTS.

FOR YOUR SAFETY

This appliance requires air for proper combustion. Always provide adequate combustion and ventilation air. Follow instructions and information in CSAB149.1 (in Canada) or the National Fuel Gas Code ANS Z223.1/NFPA (in the USA), regarding requirements for combustion and ventilation air.

INSTALLATION AND REPAIR SHOULD BE DONE BY AN AUTHORIZED SERVICE PERSON. THE APPLIANCE SHOULD BE INSPECTED BEFORE USE AND AT LEAST ANNUALLY BY A PROFESSIONAL SERVICE PERSON. MORE FREQUENT CLEANING MAY BE REQUIRED DUE TO EXCESSIVE LINT FROM CARPETING, BEDDING MATERIAL, ETC. IT IS IMPERATIVE THAT CONTROL COMPARTMENTS, BURNERS AND CIRCULATING AIR PASSAGEWAYS OF THE APPLIANCE BE KEPT CLEAN.

DUE TO HIGH TEMPERATURES, THE APPLIANCE SHOULD BE LOCATED OUT OF TRAFFIC AND AWAY FROM FURNITURE AND DRAPERIES.

WARNING: FAILURE TO INSTALL THIS APPLIANCE CORRECTLY WILL VOID YOUR WARRANTY AND MAY CAUSE A SERIOUS HOUSE FIRE.

CHILDREN AND ADULTS SHOULD BE ALERTED TO THE HAZARDS OF HIGH SURFACE TEMPERATURES, ESPECIALLY THE FIREPLACE GLASS, AND SHOULD STAY AWAY TO AVOID BURNS OR CLOTHING IGNITION.

YOUNG CHILDREN SHOULD BE CAREFULLY SUPERVISED WHEN THEY ARE IN THE SAME AREA AS THE APPLIANCE. TODDLERS, YOUNG CHILDREN AND OTHERS MAY BE SUSCEPTIBLE TO ACCIDENTAL CONTACT BURNS. A PHYSICAL BARRIER IS RECOMMENDED IF THERE ARE AT RISK INDIVIDUAL IN THE HOUSE. TO RESTRICT ACCESS TO A FIREPLACE OR STOVE, INSTALL AN ADJUSTABLE SAFETY GATE TO KEEP TODDLERS, YOUNG CHILDREN AND OTHER AT RISK INDIVIDUALS OUT OF THE ROOM AND AWAY FROM HOT SURFACES.

CLOTHING OR OTHER FLAMMABLE MATERIAL SHOULD NOT BE PLACED ON OR NEAR THE APPLIANCE.

A BARRIER DESIGNED TO REDUCE THE RISK OF BURNS FROM THE HOT VIEWING GLASS IS PROVIDED WITH THIS APPLIANCE AND SHALL BE INSTALLED FOR THE PROTECTION OF CHILDREN AND OTHER AT-RISK INDIVIDUALS

IF THE BARRIER BECOMES DAMAGED, THE BARRIER SHALL BE REPLACED WITH THE MANUFACTURER'S BARRIER FOR THIS APPLIANCE.

ANY SAFETY SCREEN, GUARD, OR BARRIER REMOVED FOR SERVICING AN APPLIANCE MUST BE REPLACED PRIOR TO OPERATING THE APPLIANCE.



IMPORTANT MESSAGE

SAVE THESE INSTRUCTIONS

The Regency Direct Vent Gas Insert must be installed in accordance with these instructions. Carefully read all the instructions in this manual first. Consult the building authority having jurisdiction to determine the need for a permit prior to starting the installation.

NOTE: Failure to follow the instructions could cause a malfunction of the heater which could result in death, serious bodily injury, and/or property damage. Failure to follow these instructions may also void your fire insurance and/or warranty.

GAS PRESSURE TESTING

The appliance must be isolated from the gas supply piping system by closing its individual manual shut off valve during any pressure testing of the gas supply piping system at test pressures equal to or less than 1/2 psig. (3.45 kPa).

SPECIFICATIONS

At pressures over 1/2 psig, the pipe to the unit must be disconnected.

Gas Input Capacity:

Natural Gas	23,500 Btu/h
Propane	21,500 Btu/h

Min. Input:

Natural Gas	12,500 Btu/h
Propane	11,000 Btu/h

Fuels: Approved for use with both natural gas, and propane. Approved as is for use at 0' to 4,500' (0-1370m).

Electrical: 120V.A.C. system.

Circulation Fan: Variable speed, 127 CFM.

Log Set: Ceramic fibre, 6 per set.

Vent System: 3" co-linear aluminum flex or 2" intake with 3" exhaust.

General Safety Information

- 1) The appliance installation must conform with local codes or in the absence of local codes, with CAN/CSA B149.1 (in Canada) or the National Fuel Gas Code ANSI Z223.1 NFPA 54 in the U.S.A. This appliance should be installed by a qualified gas fitter technician only.
- 2) Installation and repair should be done by a qualified service person.
- 3) The appliance should be inspected before use and at least annually by a professional service person. More frequent cleaning may be required due to excessive lint from carpeting, bedding material, animal hair, etc. It is imperative that control compartments, burners and circulating air passageways of the appliance be kept clean.
- 4) See general construction and assembly instructions. This appliance may only be installed in a vented, noncombustible fireplace.
- 5) This appliance is Listed for bedroom installations when used with a Listed Millivolt Thermostat. Some areas may have further requirements, check local codes before installation.
- 6) Always connect this appliance to a vent system vent that is run (or routed) to the outside of the building envelope. Never vent to another room or inside a building. Make sure that the vent is properly sized and is of adequate height to provide the proper draft.
- 7) Inspect the venting system annually for blockage and any signs of deterioration.
- 8) Any glass removed for servicing must be replaced prior to operating the appliance.
- 9) **WARNING: Failure to position the parts in accordance with the diagrams in this manual or failure to use only parts specifically approved with this appliance may result in property damage or personal injury.**
- 10) To prevent injury, do not allow anyone who is unfamiliar with the operation to use the fireplace.

Installer must mechanically attach the supplied label to the inside of the firebox of the fireplace into which the gas fireplace insert is installed.

"WARNING: This fireplace has been converted for use with a gas fireplace insert only and cannot be used for burning wood or solid fuels unless all original parts have been replaced, and the fireplace re-approved by the authority having jurisdiction."

GAS PRESSURE TESTING

The appliance must be isolated from the gas supply piping system by closing its individual manual shut off valve during any pressure testing of the gas supply piping system at test pressures equal to or less than 1/2 psig. (3.45 kPa).

INSTALLATION INTO A SOLID FUEL BURNING FIREPLACE OR FACTORY BUILT FIREPLACE

The L234 Gas Inserts have been tested and approved to be vented into any masonry fireplace or approved solid fuel burning factory built fireplace that will allow the insert to physically fit into the firebox. Refer to "Minimum Fireplace Dimensions" section for minimum fireplace clearances.

If the factory built fireplace* height is too low for your Insert, you may remove the smoke baffle plate, damper, refractory (firebricks), glass doors, screen rails, screen mesh and log grates from the factory built fireplace as long as these items are saved and are reinstalled in the event that the Insert is removed. The fireplace flue damper can be fully blocked open or removed for installation of the gas fireplace insert.

Smoke shelves, shields and baffles may be removed if attached by mechanical fasteners. If any part is removed it must not weaken the structural integrity of the factory built fireplace.

The fireplace and fireplace chimney must be clean and in good working order and constructed of non-combustible materials.

The surround panels should not seal ventilation openings on the fireplace.

Chimney clean outs should fit properly.

NOTE: Any alterations made to the listed solid fuel burning factory built fireplace may void the listing of the fireplace.

Cutting any sheet metal part of the fireplace, in which the gas fireplace insert is to be installed is prohibited.

*Check with your local inspector before commencing with this installation.

Installer must mechanically attach the supplied label to the inside of the firebox of the fireplace into which the gas fireplace insert is installed.

WARNING: This fireplace has been converted for use with a gas fireplace insert only and cannot be used for burning wood or solid fuels unless all original parts have been replaced, and the fireplace re-approved by the authority having jurisdiction."

BEFORE YOU START

Safe installation and operation of this appliance requires common sense, however, we are required by the Canadian Safety Standards and ANSI Standards to make you aware of the following:

FACTORY-BUILT (METAL) WOOD-BURNING FIREPLACE REQUIREMENTS

NOTE: Any parts that are removed must be removed in a way that would allow them to be re-installed if the insert is ever removed (removal of rivets or screws is acceptable).

To reference parts—see illustration below.

Must be removed:

- 1 - Damper
- 2 - Grate (with log set)

May be removed (if applicable):

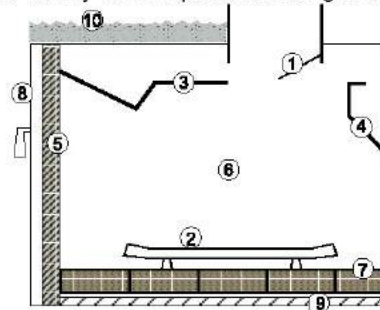
- 3 - Smoke shelf
- 4 - Internal baffles
- 5 - Screen
- 6 & 7 - Masonry lining or refractory
- 8 - Metal or glass doors

The fireplace must be permanently marked to indicate that it has been altered and is no longer suitable for burning solid fuel (wood), unless the removed parts are re-installed. Cutting of any sheet metal parts is prohibited.

May be removed (in certain cases):

- 9 - Metal floor of the firebox
- 10 - The insulation and any structured rigid frame members must not be removed or altered (side and top of door frame, side and top of the face of the fireplace, metal sides, etc.).

If the factory-built fireplace has no gas access



CAUTION: Firebox floor removal is not covered under the appliance safety standard (ANSI Z21.88, CSA 2.33) used in the safety certification of this appliance. The Intertek safety certification does not apply to this method of installation. Before installing the appliance using this method, contact the Authority Having Jurisdiction to determine if this installation is acceptable in your area. The sheet metal base of the fireplace must be left in place and a minimum 1/2" cement board sheet placed under the entire length and width of the appliance.

hole(s) provided, an access hole of 1.5 inch (37.5 mm) or less may be drilled through the lower sides or bottom of the firebox in a proper workmanship like manner. This access hole must be plugged with non-combustible insulation after the gas supply line has been installed.

11) Due to high temperatures, the appliance should be located out of high traffic areas and away from furniture and draperies. Children and adults should be alerted to the hazards of high surface temperatures, especially the fireplace glass, and should stay away to avoid burns or clothing ignition. Young children should be carefully supervised when they are in the same room as the appliance. Clothing or other flammable material should not be placed on or near the appliance.

Emissions from burning wood or gas could contain chemicals known to the State of California to cause cancer, birth defects or other reproductive harm.

INSTALLATION CHECKLIST

Before installing vent system ensure that the damper plate is open and secure to prevent the damper plate from falling down and crushing the liner.

The Regency Gas Insert is installed as listed below.

- 1) Check all clearances to combustibles. Refer to the following sections where applicable:
 - a. Minimum Clearances to Combustibles.
 - b. Combustible Mantel Clearances
 - c. Mantel Clearances
- 2) Make the gas connection. Refer to the "Gas Connection" section.
- 3) Install the 3" x 3" or 3" x 2" flue liner to the sliding connector plate. Refer to the "Flue Liner Installation" section.
- 4) Slide the unit half way into the fireplace.
- 5) Pull the vent connector plate through the tapered brackets and fasten to the front plate. Refer to the "Flue Liner Installation" section.
- 6) Install 4AA batteries into receiver. Hook receiver to wire marked receiver, this will enable operation of the appliance manually when position in "ON" position.
- 7) Slide the unit fully into the fireplace.

- 8) Test gas pressure, refer to the "Gas Pipe Pressure Testing" section. Check aeration system, refer to "Gas Insert Aeration Systems" section.
- 9) Install standard and optional features. Refer to the following sections where applicable:
 - a. Brick Panels
 - b. Log Installation
 - c. Faceplate
 - d. Optional Hearth Trim
 - e. Remote Control
 - f. Wall Thermostat

- 10) Final check. Refer to the "Final Check" section. Before leaving this unit with the customer, the installer must ensure that the appliance is firing correctly. This includes:
 - a) Locking the appliance to ensure the correct firing rate.
 - b) Adjusting the primary air, if required, to ensure that the flame does not carbon. Refer to the "Gas Insert Aeration System" section.
 - c) Ensuring that the appliance is venting correctly.

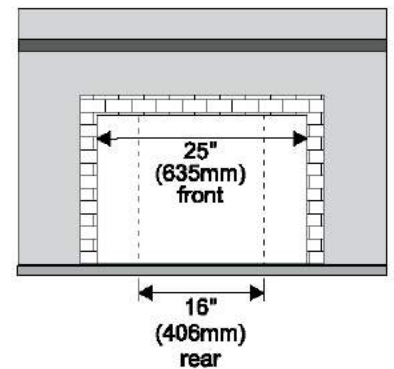
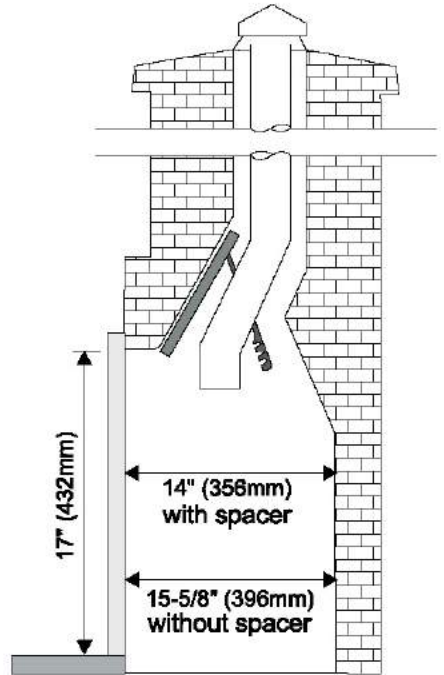
MATERIALS REQUIRED

No electrical power supply is required for the gas control to operate. A 120 Volt AC power cord is hooked up to the fan. Plug the 3 wire cord into a suitable receptacle. **Do not cut the ground terminal off under any circumstances.** When connected with 120 volts, the appliance must be electrically grounded in accordance with local codes, current version of the Canadian Electrical Code CSA C22.1 (in Canada) or in the absence of local codes, with the National Electrical Code ANSI/NFPA 70.

WARNING:
Electrical Grounding Instructions
 This appliance is equipped with a three pronged (grounding) plug for your protection against shock hazard and should be plugged directly into a properly grounded three-prong receptacle. Do not cut or remove the grounding prong from this plug.

MINIMUM FIREPLACE OPENING

The minimum fireplace opening for the L234 gas fireplace insert is shown in the following diagrams:

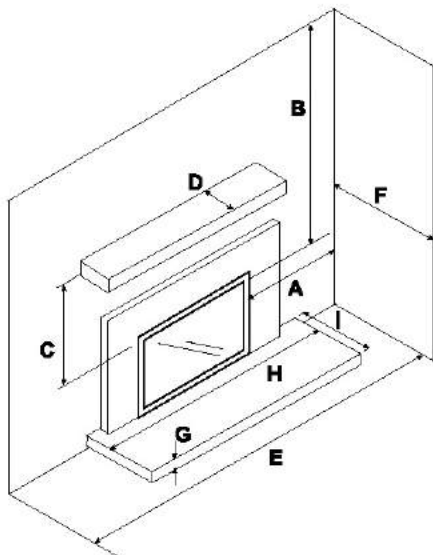


MINIMUM CLEARANCES TO COMBUSTIBLES

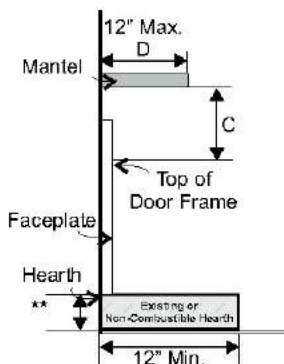
Unless otherwise stated the clearances listed below are Minimum distances to combustible materials. **Please Note: A major cause of chimney related fires is due to a failure to maintain required clearances (air space) to combustible materials. It is of the greatest importance that this insert and vent system be installed only in accordance with these instructions.**

Side Walls	A	8" (203 mm)*
Ceiling	B	56" (1422 mm)
Min. Mantel Height	C	21" (533 mm) see Diagram 1
Max. Mantel Depth	D	12" (305 mm) see Diagram 1
Alcove Width	E	60" (1524 mm)
Alcove Depth	F	36" (914 mm)
**Hearth Height- Non combustible	G	1-1/2" (38 mm) Minimum
Hearth Width	H	28" (686 mm)
Hearth Depth	I	12" (305 mm)

* Alcove side wall must have a minimum of 8" clearance.
 **Note: A 1-1/2" high non-combustible hearth is required if unit is not raised off the ground a minimum of 4"



INSTALLATION WITH NON-COMBUSTIBLE HEARTH IN FRONT



COMBUSTIBLE MANTEL CLEARANCES

Because of the extreme heat this fireplace emits, the mantel clearances are critical. Combustible mantel clearances from top of door frame are shown in the diagram below. Mantel may be installed anywhere in the shaded area or higher.

Note: A non-combustible mantel may be installed at a lower height.

Note: Ensure the paint that is used on the mantel and the facing is "heat resistant" or the paint may discolour.

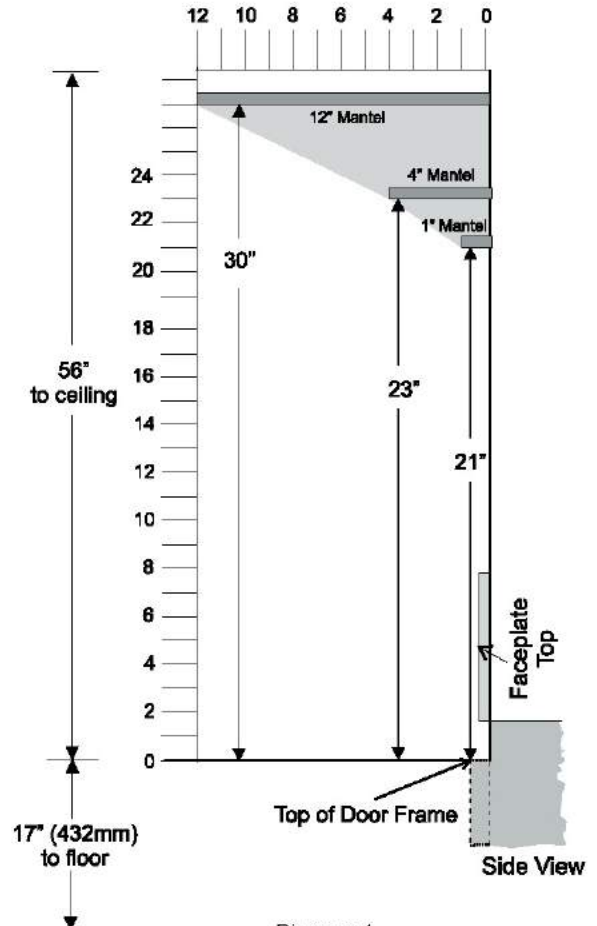
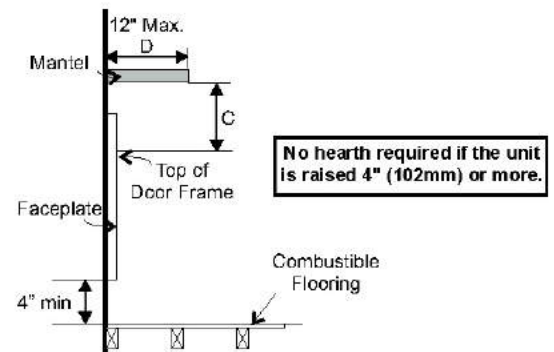


Diagram 1

INSTALLATION WITH COMBUSTIBLE FLOORING IN FRONT



VENTING

THE APPLIANCE MUST NOT BE CONNECTED TO A CHIMNEY FLUE SERVING A SEPARATE SOLID FUEL BURNING APPLIANCE.

This appliance is designed to be attached to two 3" (76mm) co-linear aluminium flex running the full length of the chimney. The flue length must be a minimum length of 8' (2.44m) and a maximum of 35' (10.7m). Periodically check that the vent is unrestricted.

Masonry chimneys may take various contours which the flexible liner will accommodate. However, keep the flexible liner as straight as possible, avoid unnecessary bending.

INSTALLATION WITH 3" & 3" LINERS

Part #	Description
948-305	3" Flex - 35 ft. (intake & exhaust)
946-529	Regency Co-linear DV Vertical Termination Cap & Flashing

Vent Run	Vent Restrictor Position	Burner Aeration Setting
8' to 20'	1"	3/16"
20' to 35'	3/4"	3/16"

NOTE: See instructions in the "Vent Restrictor Position" section on positioning of the vent restrictor.

The L234 is also approved for use with a 2" liner for air intake and a 3" liner for exhaust. This would be suitable for a Class A wood burning chimney with a minimum 6" round flue.

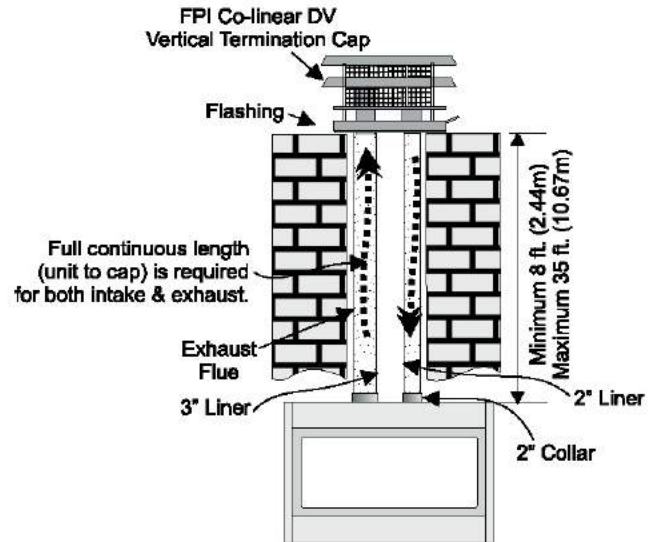
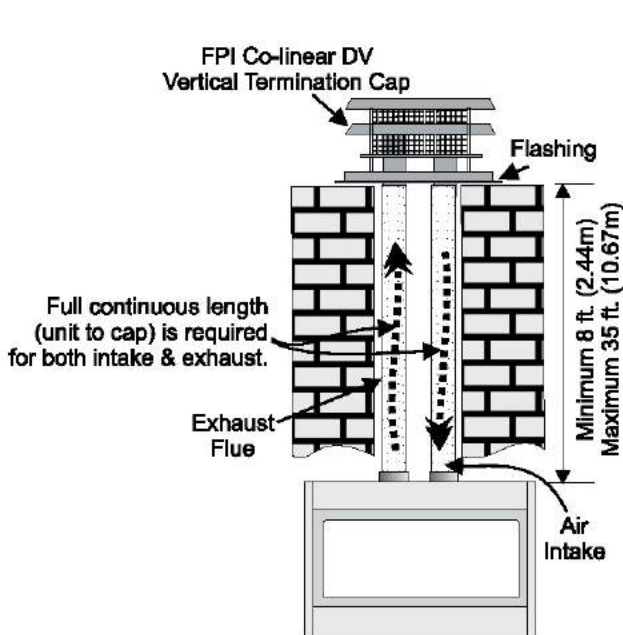
The chimney must be lined with one 2" diameter liner for intake and one 3" diameter liner for exhaust. The minimum vent length is 8' and maximum is 35'.

INSTALLATION WITH 3" & 2" LINERS

Part #	Description
948-305	3" Flex - 35 ft. (exhaust)
948-316	2" Flex - 35 ft. (intake)
946-582	Regency Co-linear DV Vertical Termination Cap, Flashing & 2" Collar

Vent Run	Vent Restrictor Position	Burner Aeration Setting
8' to 20'	1"	3/16"
20' to 35'	1"	1/8"

NOTE: See instructions in the "Vent Restrictor Position" section on positioning of the vent restrictor.



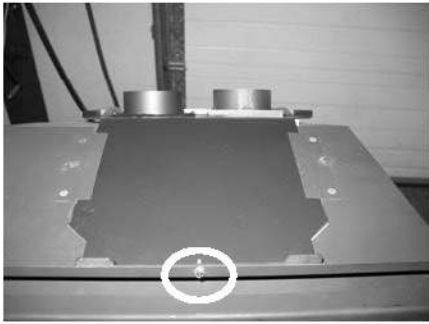
- Alternative Approved Venting Components***
- 46DVA-VC Vertical Termination Cap
 - 46DVA-VCH High Wind Cap
 - 46DVA-GK 3" Co-linear Adaptor with flashing

In areas of consistently high winds, we recommend using the Simpson Dura-Vent System 46DVA-GK adapter and 46DVA-VCH high-wind cap. The Air Intake pipe must be attached to the inlet air collar of the termination cap.

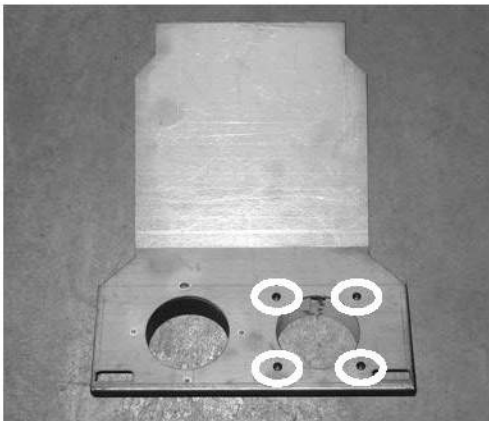
*NOTE: Simpson DuraVent can only be used with 3" liners.

CONVERTING FROM 3" & 3" VENTING TO 3" & 2"

- 1) Remove the top plate from the unit by undoing the screw at the front of the firebox and slide out towards the back of the unit.



- 2) Remove the 3" collar from the top plate by undoing the 4 screws. **NOTE:** The screws are secured from the underside of the top plate.



Underside of Top Plate

- 3) Secure the 2" collar to the top plate using 4 screws in place of the 3" collar.
- 4) Re-install the top plate to the unit.



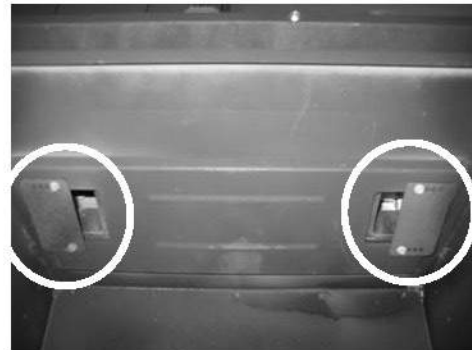
Top Plate with 2" Collar shown on Unit

VENT RESTRICTOR POSITION

The Vent Restrictor plate is located on the inside top of the firebox.

To change the vent restrictor position, refer to the instructions below;

- 1) Remove the glass door.
- 2) Remove brick panels if installed.
- 3) Remove the 4 screws that hold the vent restrictor plate in place.



- 4) Adjust the vent restrictor plate to the required vent restrictor position.



Factory Set at 1"

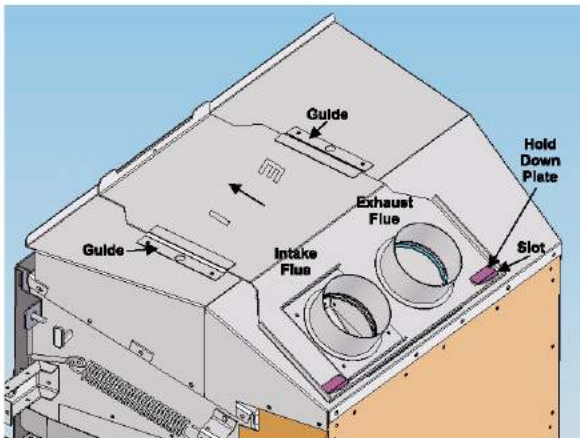


Adjusted to 3/4"

- 5) Once the vent restrictor plate is in the required position, secure using the 4 screws removed from step 3.
- 6) Re-install brick panels if removed.
- 7) Re-install glass door.

FLUE LINER INSTALLATION

- 1) Cut the flex liner as required.
- 2) **Mark the end of one liner with an "E" to indicate Exhaust.**
- 3) Connect the other end of the above liner to the exhaust side of the termination cap, seal connection with high temperature silicone. Secure with gear clamp or screws.
- 4) Connect the 2nd liner to the inlet side of the cap, seal connection with high temperature silicone. Secure with gear clamp or screws.
- 5) Install flashing.
- 6) Insert both liners into chimney, passing through the damper opening.
- 7) Install termination cap.
- 8) Connect the **marked end** of the liner to the exhaust collar of the vent connector plate marked with an "E", seal connection with high temperature silicone. Secure with gear clamp or screws.



- 9) Connect the 2nd liner to the intake collar, seal connection with high temperature silicone. Secure with gear clamp or screws.
- 10) Align vent connector plate with guides on unit.
- 11) Slide unit into masonry opening, while ensuring that the slot at the rear of the connector plate mates up with the hold down plate on the unit.
- 12) Secure with screw.

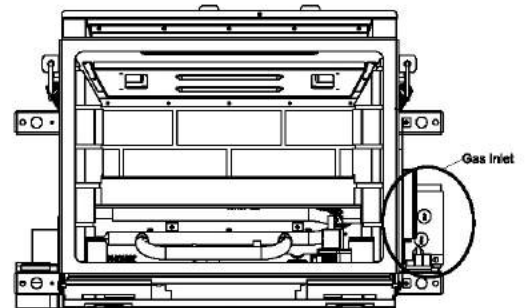
NOTES:

- 1) Final gas connection should be made after unit is in place to avoid damage to the liner when pushing the unit into position.
- 2) Mill-pac may be used instead of high temperature silicone and screws may be used instead of gear clamps at connections of liner to inlet and vent collars.

GAS CONNECTION

GAS CONNECTION WARNING:
Only persons licensed to work with gas piping may make the necessary gas connections to this appliance.

- 1) When the appliance is to be installed into either an existing masonry chimney system or factory built fireplace, thoroughly clean the chimney before installation.
- 2) A 3/8" NPT gas supply pipe must be brought near the inlet hole. The valve inlet is on the right side of the unit.



- 3) Locate the center point where the vent will pass through the chimney above the appliance. Move the appliance into the exact location where it is to be installed. Ensure that the insert is level.

NOTE: This unit is equipped with a heat sensor thermodisc which will prevent the blower from operating until the unit reaches the correct temperature.

GAS INSERT AERATION ADJUSTMENT

The burner aeration is factory set but may need adjusting due to either the local gas supply or altitude. Open the air shutter for a blue flame or close for a more yellow flame. To access burner aeration—see Steps below.

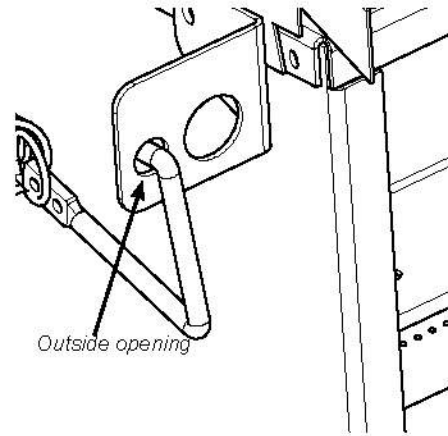
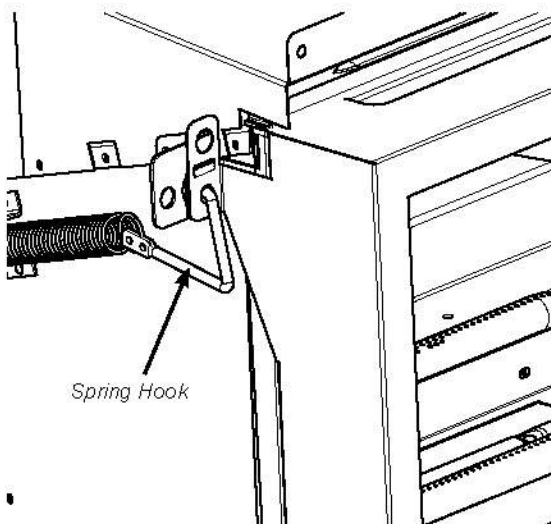
CAUTION: Carbon will be produced if the air shutter is closed too much.

Minimum Air Shutter Openings		
	Vent Run	Burner Aeration Setting
3" x 3"	8' to 20'	NG: 3/16" LP: 3/16"
	20' to 35'	NG: 3/16" LP: 3/16"
3" x 2"	8' to 20'	NG: 3/16" LP: 3/16"
	20' to 35'	NG: 1/8" LP: 1/8"

Note: Any damage due to carboning resulting from improperly setting the aeration controls is NOT covered under warranty.

Note: Aeration Adjustment should only be performed by an authorized Regency Installer at the time of installation or service.

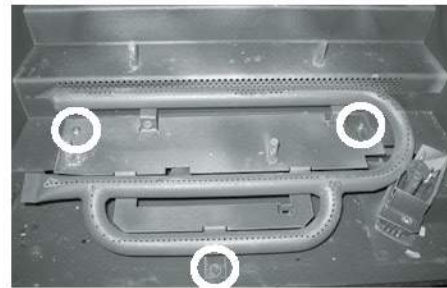
1. Remove the outer faceplate.
2. Remove the safety screen.
3. Remove the glass door.
 - a) Pull the spring hook on the left that holds the door in place. Place the hook into the opening towards the outside of the bracket. Repeat on right side.



- b) Swing the door out 45 degrees and lift up and out.



4. Remove the logs.
5. Remove brick panels, if installed.
6. Remove the burner by undoing the 3 screws.



7. Make necessary aeration adjustment - reverse Steps 6-1.

GAS INSERT AERATION ADJUSTMENT

The burner aeration is factory set but may need adjusting due to either the local gas supply or altitude. Open the air shutter for a blue flame or close for a more yellow flame. To access burner aeration—see Steps below.

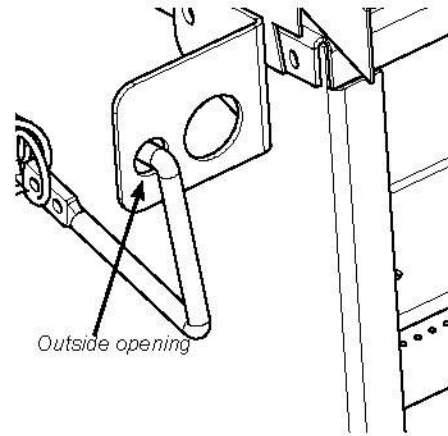
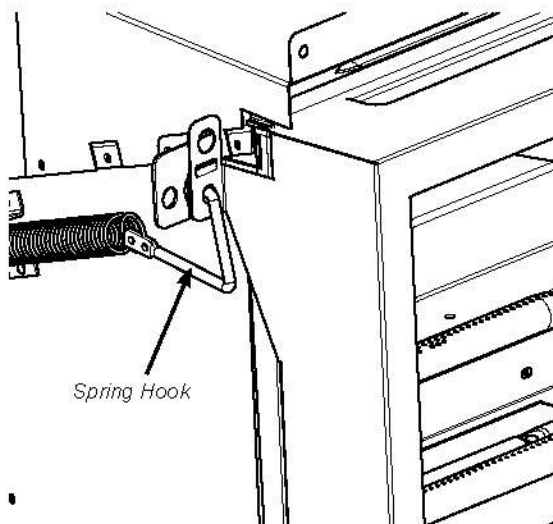
CAUTION: Carbon will be produced if the air shutter is closed too much.

Minimum Air Shutter Openings		
	Vent Run	Burner Aeration Setting
3" x 3"	8' to 20'	NG: 3/16" LP: 3/16"
	20' to 35'	NG: 3/16" LP: 3/16"
3" x 2"	8' to 20'	NG: 3/16" LP: 3/16"
	20' to 35'	NG: 1/8" LP: 1/8"

Note: Any damage due to carboning resulting from improperly setting the aeration controls is NOT covered under warranty.

Note: Aeration Adjustment should only be performed by an authorized Regency Installer at the time of installation or service.

1. Remove the outer faceplate.
2. Remove the safety screen.
3. Remove the glass door.
 - a) Pull the spring hook on the left that holds the door in place. Place the hook into the opening towards the outside of the bracket. Repeat on right side.



- b) Swing the door out 45 degrees and lift up and out.



4. Remove the logs.
5. Remove brick panels, if installed.
6. Remove the burner by undoing the 3 screws.



7. Make necessary aeration adjustment - reverse Steps 6-1.

GAS PIPE PRESSURE TESTING

The appliance must be isolated from the gas supply piping system by closing its individual manual shut-off valve during any pressure testing of the gas supply piping system at test pressures equal to or less than 1/2 psig. (3.45 kPa). Disconnect piping from valve at pressures over 1/2 psig.

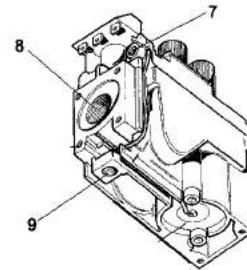
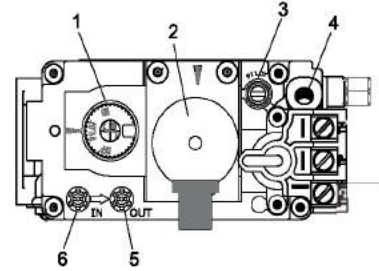
The manifold pressure is controlled by a regulator built into the gas control, and should be checked at the pressure test point.

NOTE: To properly check gas pressure, both inlet and manifold pressures should be checked using the valve pressure ports on the valve.

- 1) Make sure the valve is in the "OFF" position.
- 2) Loosen the "IN" and/or "OUT" pressure tap(s), turning counterclockwise with a 1/8" wide flat screwdriver.
- 3) Attach manometer to "IN" and/or "OUT" pressure tap(s) using a 5/16" ID hose.
- 4) Light the pilot and turn the valve to "ON" position.
- 5) The pressure check should be carried out with the unit burning and the setting should be within the limits specified on the safety label.
- 6) When finished reading manometer, turn off the gas valve, disconnect the hose and tighten the screw (clockwise) with a 1/8" flat screwdriver.
Note: Screw should be snug, but do not over tighten.

SIT 829 VALVE DESCRIPTION

- 1) Gas on/off knob
- 2) Electronically Operated Hi/Lo
- 3) Pilot Adjustment
- 4) Thermocouple Connection - *option*
- 5) Outlet Pressure Tap
- 6) Inlet Pressure Tap
- 7) Pilot Outlet
- 8) Main Gas Outlet
- 9) Alternative TC Connection Point



CONVERSION FROM NG TO LP

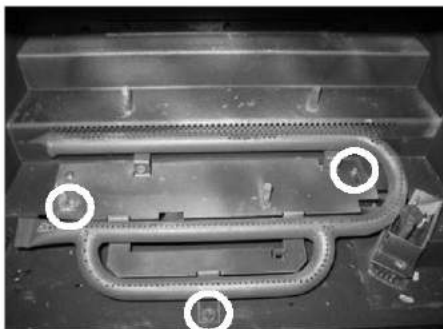
LP Conversion Instructions

THIS CONVERSION MUST BE DONE BY A QUALIFIED GAS FITTER, IF IN DOUBT DO NOT DO THIS CONVERSION!!

LP Conversion Kit Contains:

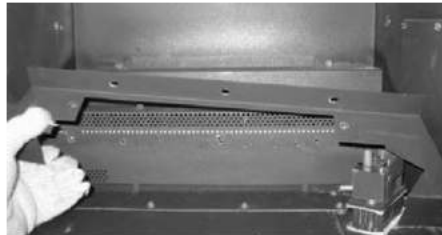
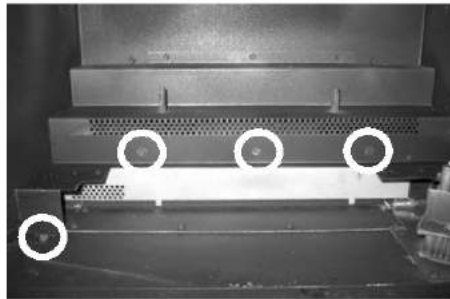
Qty.	Part #	Description
1	910-037	LP Pilot Orifice
1	904-163	Orifice #54
1	904-529	5/32" Allen Key
1	910-582	Stepper Motor
1	918-590	LP Conversion Decal
1	908-528	Red Propane Label
1	919-465	Instruction Sheet

1. Shut off gas and electrical supply to the unit.
2. Remove the faceplate.
3. Remove the safety screen and glass door - see manual for detailed instructions.
4. Remove the logs if installed.
5. Remove the brick panels if installed.
6. Remove the burner by undoing the 3 screws.



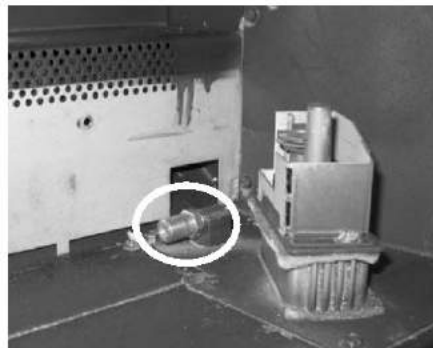
Burner Removed

7. Remove the burner tray by undoing the 4 screws.



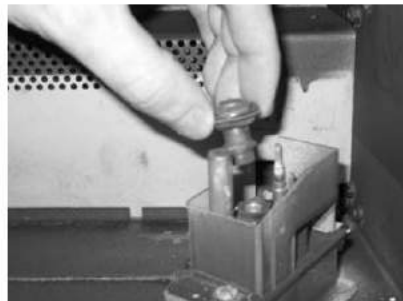
Burner Tray Removed

8. Remove burner orifice with a 1/2" wrench and discard.



9. Install the new LP burner orifice stamped #54 and tighten.

10. Pull off the pilot cap to expose the pilot orifice.



11. Unscrew the pilot orifice with the supplied allen key and replace it with the LP pilot orifice in the kit and re-install the pilot cap.



12. Remove the pilot/on/off extension knob by pulling the knob towards you. Remove NG stepper motor by removing 3 screws in locations shown below—replace with LP stepper motor, secure in place with 3 screws.



Remove NG Stepper motor and replace with LP Stepper motor

13. Reinstall the pilot/on/off extension knob removed from step 12. Check for gas leaks with a proper soapy solution or leak detector.

14. Check inlet and outlet pressures. Refer to "Gas Pipe Pressure Testing" section of the manual.

15. Attach the label "This unit has been converted to LP" near or on top of the serial # decal.

16. Replace yellow "NG" label with red "LP" label.

17. Reverse Steps 8 - 1.

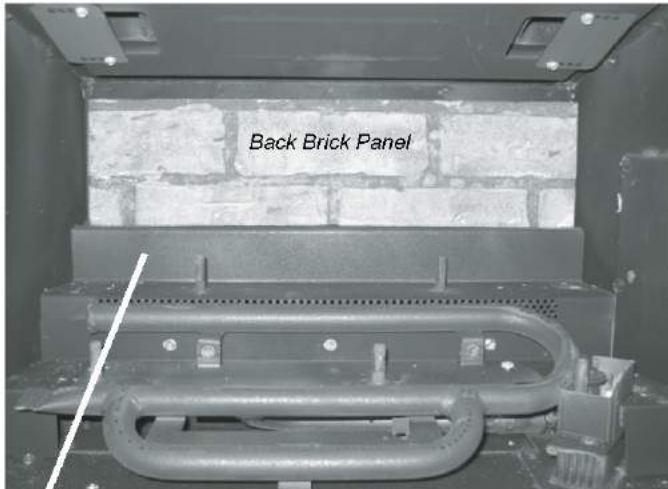
NOTE: before re-installing burner, check the LP aeration settings.

18. Check operation of flame control.

19. Check for proper flame appearance and glow on logs.

OPTIONAL BRICK PANEL INSTALLATION

- 1) Carefully remove the brick panels from the box and unwrap them.
- 2) Insert the back brick panel by carefully placing it against the back wall of the firebox and rest it on the rear log tray.
- 3) Slide the right side brick panel into position and secure in place using the brick clip. Repeat for left side.



Back Brick Panel

Rear Log Tray



Brick Clip

Right Side Brick Panel

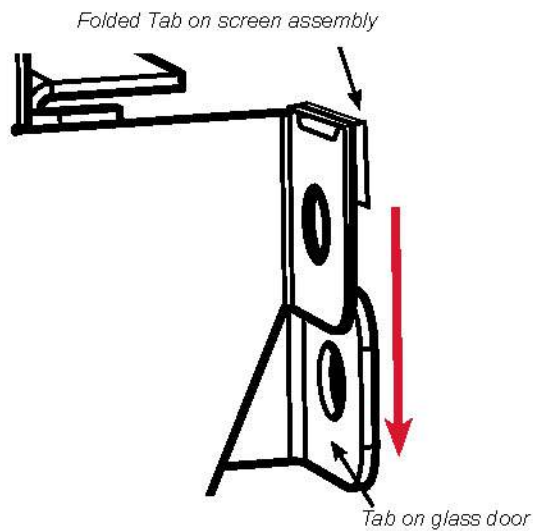
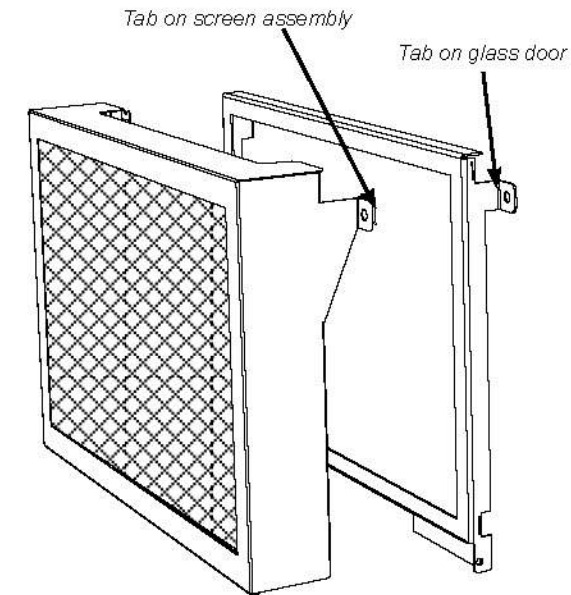
IMPORTANT
YOUR BRICK PANELS ARE
MANUFACTURED FROM A SPECIAL HEAT
REFLECTIVE CERAMIC MATERIAL
HANDLE WITH CARE
(DO NOT FORCE INTO POSITION)

Completed Brick Panel Installation



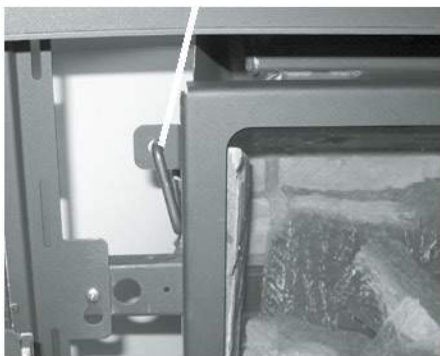
SAFETY SCREEN INSTALL

1. Slide the folded tab on the screen assembly over the tab on the glass door (left and right sides).



2. Install screen assembly and glass door together and secure with spring hooks on left and right side. To remove see "Glass Door Removal" instructions.

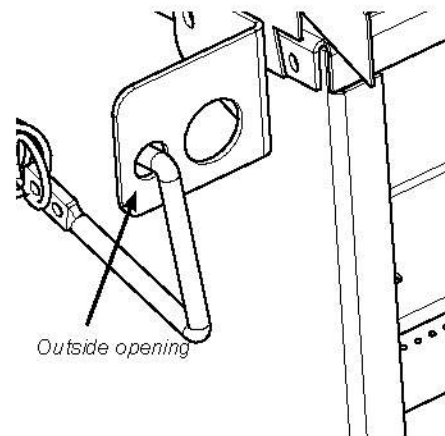
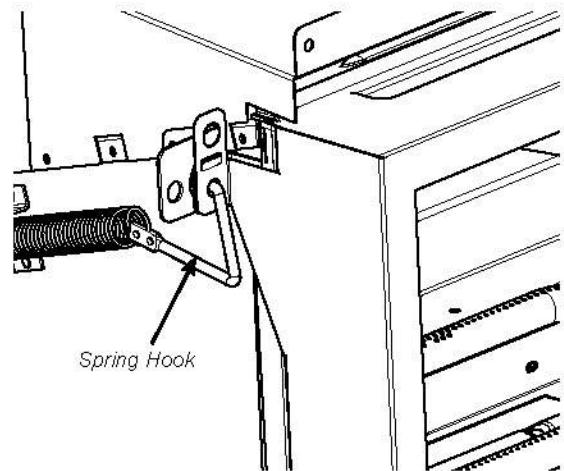
Spring Hook



GLASS DOOR REMOVAL/INSTALL

1. Remove the glass door.

- a) Pull the spring hook on the left that holds the door in place. Place the hook into the opening towards the outside of the bracket. Repeat on right side.



- b) Swing the door out 45 degrees and lift up and out.



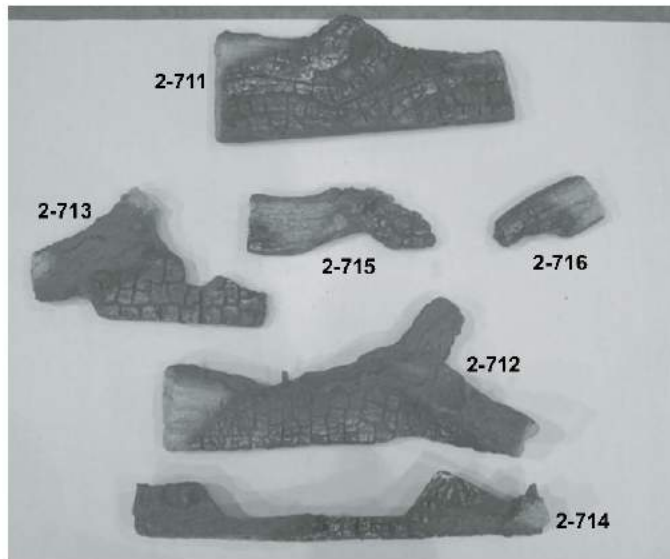
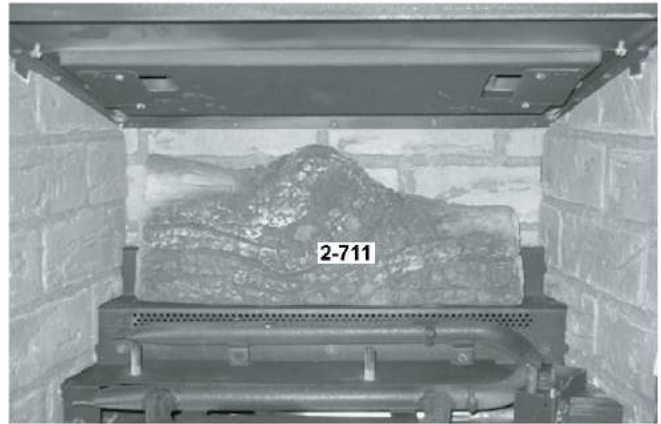
2. To reinstall—reverse steps.

LOG SET INSTALLATION

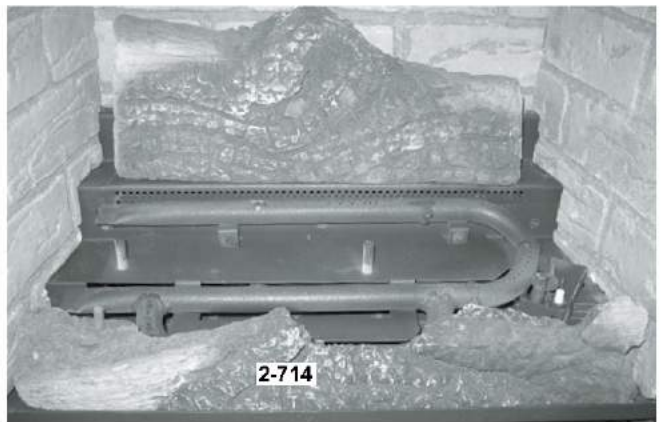
Read the instructions below carefully and refer to the images. Dangerous operating conditions may occur if the logs are not positioned in their correct locations. If the logs are broken do not use the unit until they are replaced. Broken logs can interfere with the pilot operation.

Log kit (Part # 536-930) contains the following pieces:

- a) 2-711 Rear Log
- b) 2-712 Center Log
- c) 2-713 Left Log
- d) 2-714 Front Log
- e) 2-715 Top Left Log
- f) 2-716 Top Right Log
- g) Embers (supplied with packaged manual)
- h) 946-669 Platinum Embers (supplied with packaged manual)



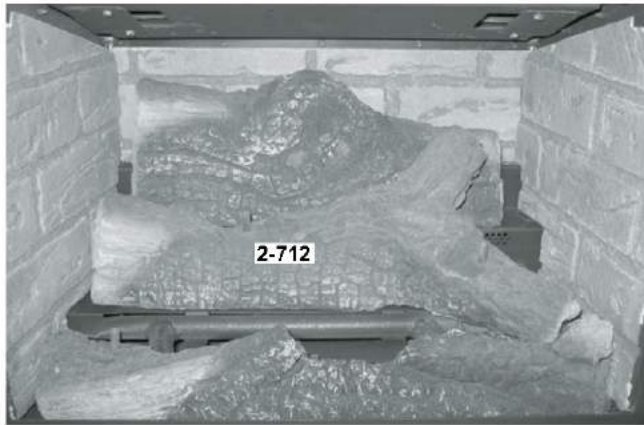
3) Place log 2-714 on the base of the firebox in front of the burner.



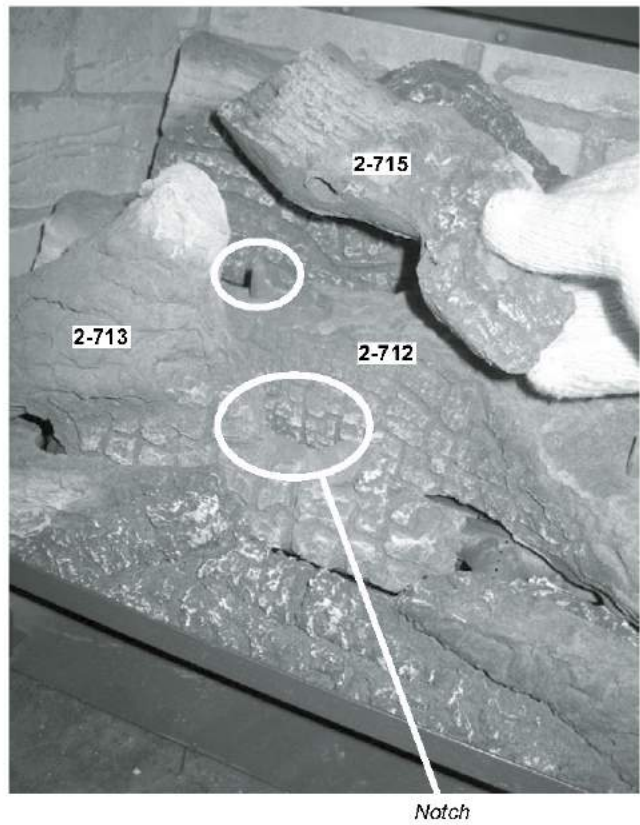
4) Fit log 2-712 into the pins on the middle of the burner.

- 1) Carefully remove the logs from the box and unwrap them. The logs are fragile, handle with care - **do not force into position.**
- 2) Fit log 2-711 into the pins on the rear log tray.

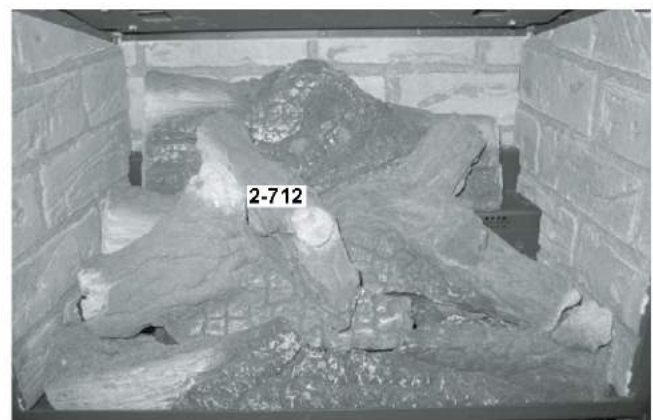
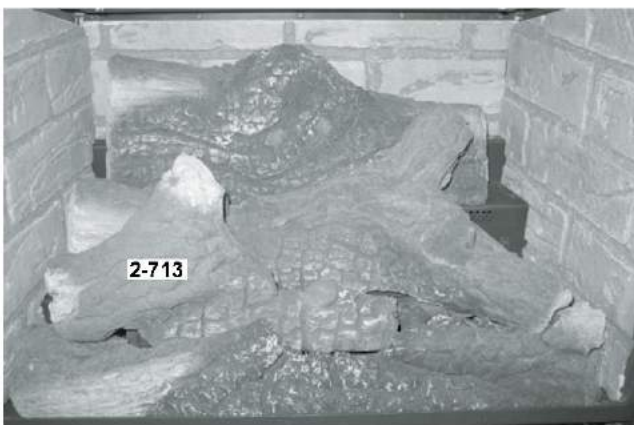
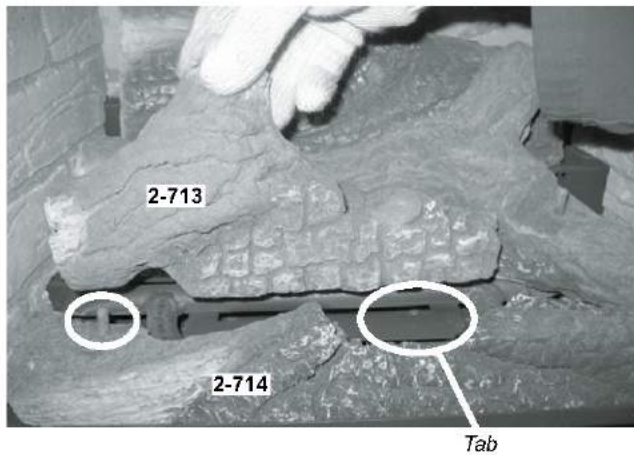




- 6) Place log 2-715 into the pin on log 2-712 and rest the right end of the log on the notch in log 2-713.



- 5) Fit the left side of log 2-713 into the pin on log 2-714 and rest the right side of the log on the burner plate pushing it against the tab.



7) Place embers on the right side of the burner as shown.



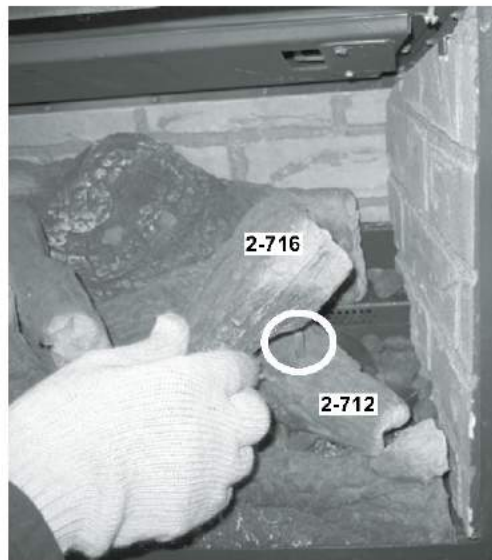
Right side of Burner

Also place a few embers along the burner tube next to log 2-713.

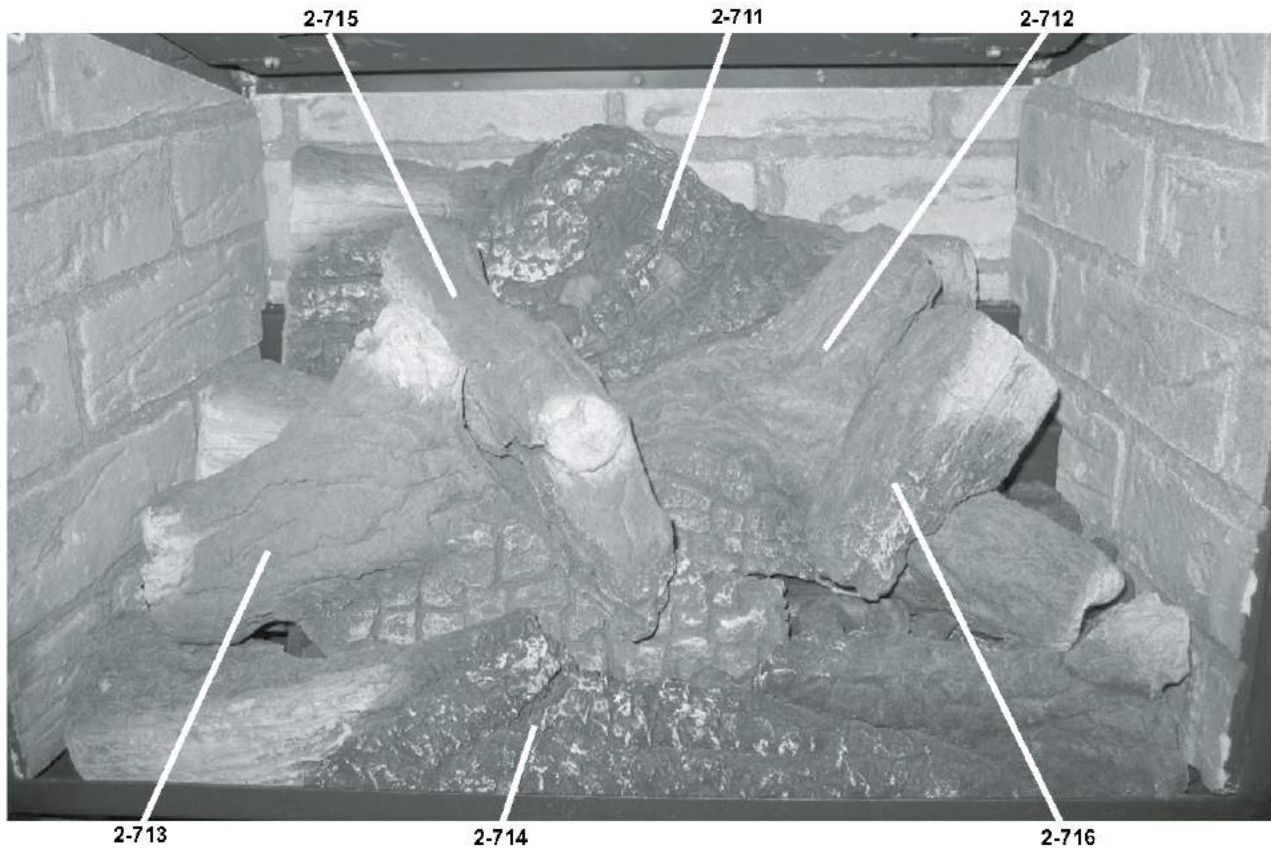
Separate platinum embers and place on and around the embers. Avoid stacking platinum embers.



8) Fit log 2-716 into the pin on log 2-712.

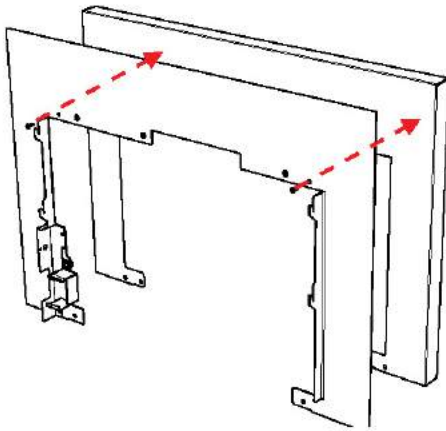


Completed Log Set Installation

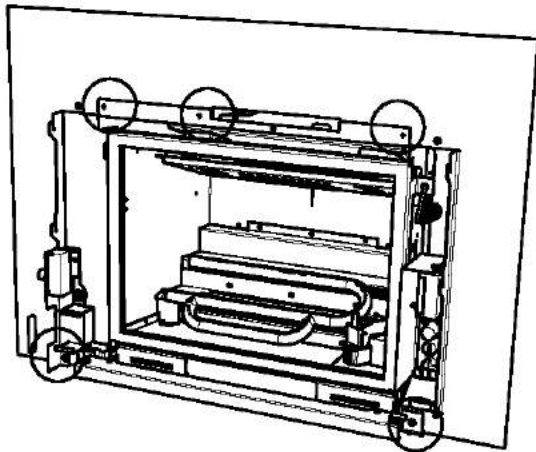


LOW PROFILE FACEPLATE INSTALLATION

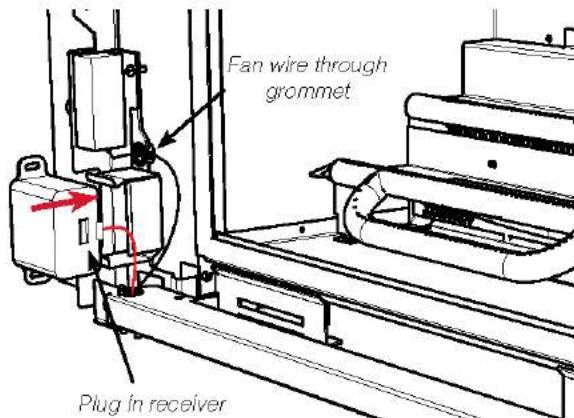
1. * If no spacer required—proceed to Step 2.
If optional spacer is required, secure the faceplate backing to the spacer with 2 screws in locations shown below. Attach faceplate backing and spacer to unit together as shown in Step 2.



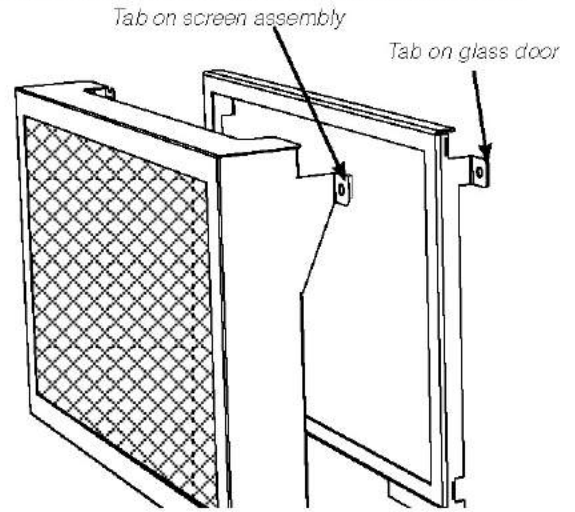
2. Position faceplate backer (and spacer, if required) behind the flange on the unit and secure with 5 screws in location shown below.



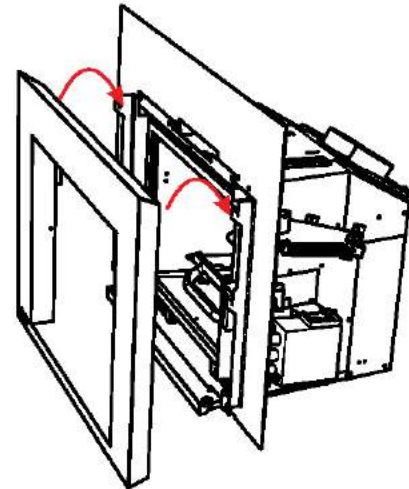
3. Install the receiver into the bracket located on the left side of the backing plate. The receiver is pre-wired to the appliance. Tuck all wires into bracket. See wiring diagram for details.



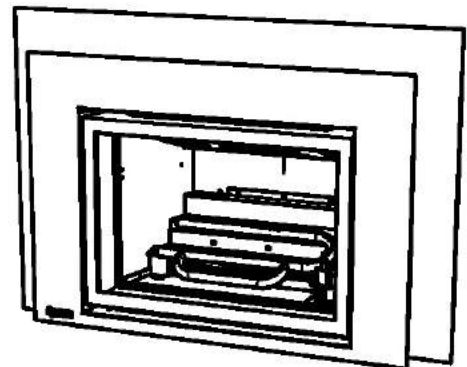
4. Install safety screen over glass door by opening glass door and sliding tab of safety screen over tab of glass door as shown below, then install door and screen together. For further details see manual.



5. Install the outer faceplate by hooking on to the brackets on the faceplate backing.



6. To remove—reverse steps.



HEARTH TRIM INSTALLATION

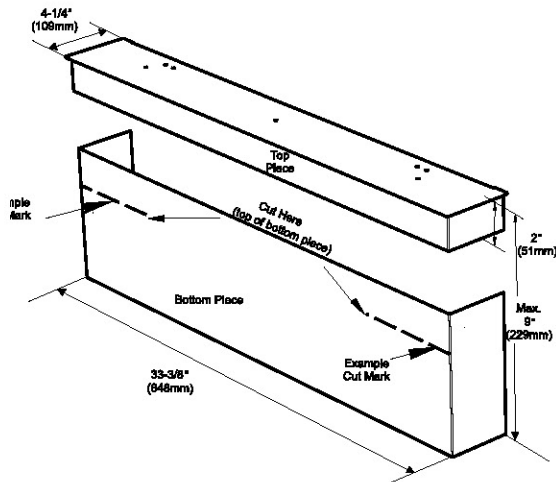
Customize Hearth Trim:

a) The Hearth Trim can be adjusted to custom fit an installation by pulling apart the top piece from the bottom piece.

b) Cut the top of the bottom piece of the hearth trim to the appropriate height using a metal cutting blade.

NOTE: The tab bends at the back of the top piece of the hearth trim should be used as the measuring point to the hearth to measure the height required.

c) Reattach the top piece of the hearth trim to the cut bottom piece by fitting in place.



Hearth Trim Installation:

1) Align the screw holes on the hearth trim brackets with the screw holes on the lower legs of the faceplate backing. Secure in place using 1 screw through hearth trim bracket and lower leg of faceplate backing on each side as shown in Diagram 1.

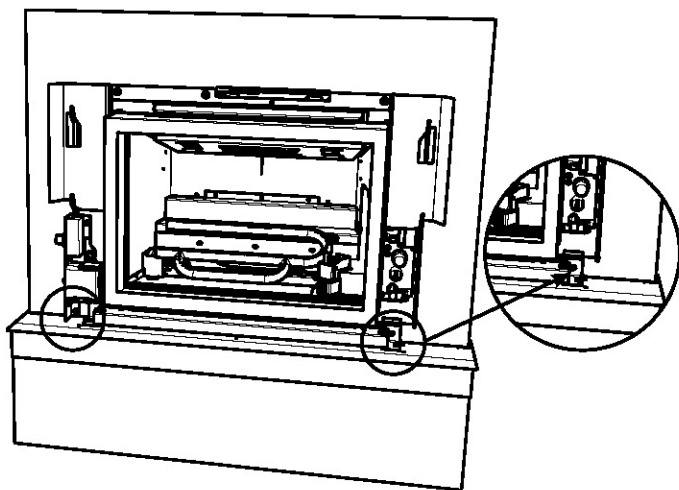


Diagram 1

2) Attach the supplied brackets to the top of the hearth trim with 2 screws. Note: orientation of brackets is different when using spacer.

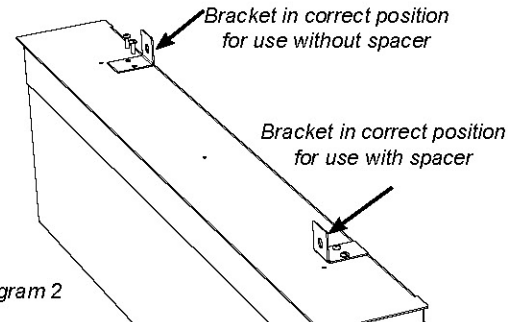
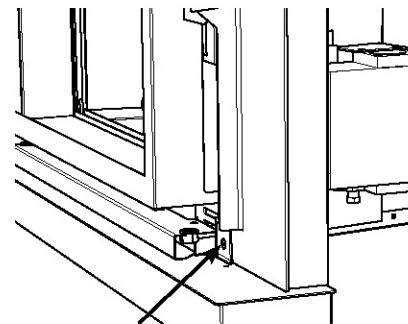


Diagram 2

3) Install the hearth trim through the lower legs of the faceplate backer and spacer together.



Install hearth trim with faceplate backer and spacer together - same location as in Step 1

4) Install outer faceplate.

Completed Hearth Trim Installation:

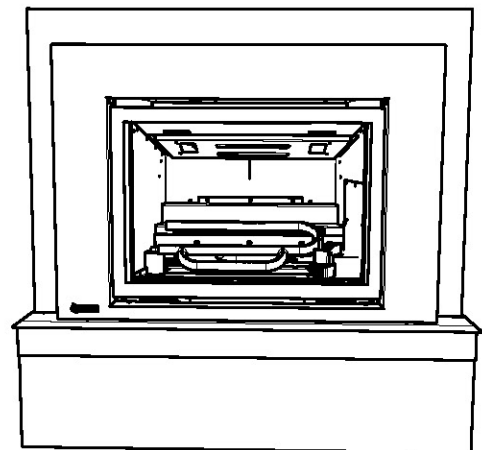


Diagram 4

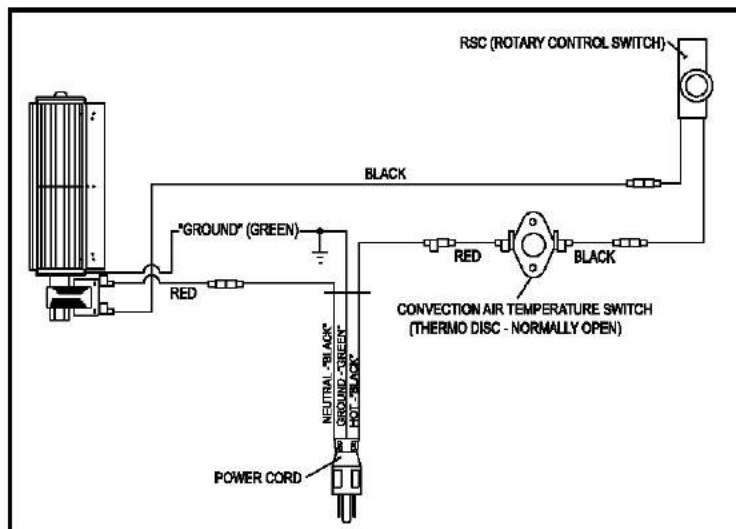
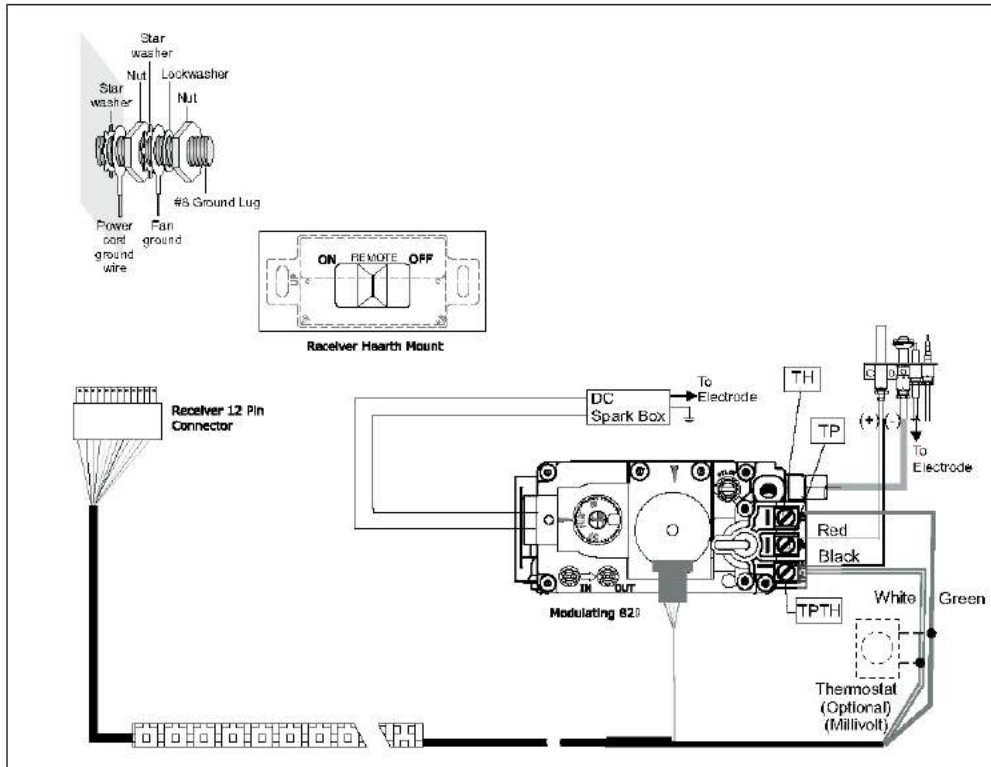
WIRING DIAGRAMS

This heater does not require a 120V A.C. supply for operation. However, a 120V A.C. power supply is needed for the fan/blower operation.

Caution: Ensure that the wires do not touch any hot surfaces and are away from sharp edges.

CAUTION: Label all wires prior to disconnection when servicing controls. Wiring errors can cause improper and dangerous operation.

WARNING: Electrical Grounding Instructions
 This appliance is equipped with a three pronged (grounding) plug for your protection against shock hazard and should be plugged directly into a properly grounded three-prong receptacle. Do not cut or remove the grounding prong from this plug.



OPTIONAL WALL THERMOSTAT

A wall thermostat may be installed if desired, follow the wiring diagram below. Note: the wires are connected to the "TH" on the gas valve. Use the table below to determine the maximum wire length. Regency offers an optional programmable thermostat but any 250-750 millivolt rated non-anticipator type thermostat that is CSA, ULC or UL approved may be used.

It is recommended that the thermostat be installed on an interior wall.

CAUTION
Do not connect the millivolt wall thermostat wires to the 120V wires.

Thermostat Wire Table	
Recommended Maximum Lead Length (Two-Wire) When Using Wall Thermostat (CP-2 System)	
Wire Size	Max. Length
14 GA.	50 Ft.
16 GA.	32 Ft.
18 GA.	20 Ft.
20 GA.	12 Ft.
22 GA.	9 Ft.

FINAL CHECK

Before leaving this unit with the customer, the installer must ensure that the appliance is firing correctly. This includes:

- 1) Locking the appliance to ensure the correct firing rate (noted on label) at 15 minutes.
- 2) If required, adjusting the primary air to ensure that the flame does not carbon. First allow the unit to burn for 15 min. to stabilize.
- 3) Check for proper draft.

CAUTION
Any alteration to the product that causes sooting or carboning that results in damage to the exterior fascia is not the responsibility of the manufacturer.

DC SPARK IGNITER BATTERY INSTALLATION

Install the supplied battery into the DC Sparker Box by opening the battery compartment.

NOTE: The battery in the DC Sparker Box will need to be replaced annually.



FIRST FIRE

The first fire in your insert is part of the paint curing process. To ensure that the paint is properly cured, it is recommended that you burn your fireplace for at least four (4) hours the first time you use it with the fan on. When first operated, the unit will release an odour caused by the curing of the paint, the burning off of any oils remaining from manufacturing. Smoke detectors in the house may go off at this time. Open a few windows to ventilate the room for a couple of hours.

The glass panel may require cleaning after the unit has cooled down.

DO NOT ATTEMPT TO CLEAN THE GLASS WHILE IT IS HOT.

Note: When the glass is cold and the appliance is lit, it may cause condensation and fog the glass. This condensation is normal and will disappear in a few minutes as the glass heats up.

DO NOT BURN THE APPLIANCE WITHOUT THE GLASS FRONT IN PLACE.

During the first few fires, a white film may develop on the glass front as part of the curing process. The glass should be cleaned or the film will bake on and become very difficult to remove. Use a non-abrasive cleaner and NEVER clean the glass while it is hot.

OPERATING INSTRUCTIONS

- 1) Read and understand these instructions before operating this appliance.
- 2) Check to see that all wiring is correct and enclosed to prevent possible shock.
- 3) Check to ensure there are no gas leaks.
- 4) Make sure the glass in the door frame is properly positioned. Never operate the appliance with the glass removed.
- 5) Verify that the venting and cap are unobstructed.
- 6) Ensure that the brick panels, if used, are installed.
- 7) Verify log placement. If the pilot cannot be seen when lighting the unit, the logs have been incorrectly positioned.
- 8) The unit should never be turned off, and on again without a minimum of a 60 second wait.
- 9) Hook up remote receiver to wire marked 'receiver'

which will be located on the bottom of the appliance. This remote control requires coding. See remote control instructions for details.

NOTE: This appliance will operate during power outages. Only the fan will not operate until power is restored. If the remote batteries in both the handheld transmitter or receiver lose power, the appliance can still be operated by sliding the switch on the receiver switch from "Remote" to "ON". To turn on the appliance off slide the receiver switch from "ON" to "Remote" or "OFF".

IMPORTANT: The remote control system supplied with this appliance has several options for starting/operating the appliance, please read the remote control operating instructions (packed with remote control) to understand how to operate this remote system. Option to download remote functions video with QR code below.



Proflame video

LIGHTING PROCEDURE

IMPORTANT
Prior to igniting or re igniting the pilot, remove the glass door.

Important: If the pilot does not hold, turn pilot knob to "OFF" position. Wait 5 minutes to clear gas. If you smell gas - STOP! Follow the safety information above. If you don't smell gas, repeat Steps 1-6.

1. Push in gas control knob slightly and turn to "PILOT" position.
2. Push in control knob all the way and hold in until the pilot lights up. Continue to hold the control knob in for about 20 seconds after the pilot is lit. Release knob.
3. Push in gas control knob slightly and turn to "ON" position.
4. Ensure the receiver is in the remote position.

Set Switch to Remote



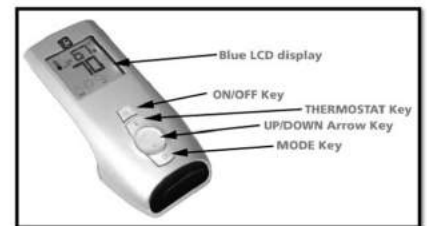
Diagram 1

5. Press and release the ON/OFF button on the remote handheld transmitter. An audible beep should be heard from the receiver.



Diagram 2

Remote shown in Manual Mode on Hi



6. The unit will turn on.

SHUTDOWN PROCEDURE

1. Press "OFF" on the remote or slide receiver switch from remote to "OFF".
2. Turn the gas control knob to the "OFF" position to turn off the pilot.

Pilot may be shut off during prolonged non use periods to conserve fuel.

COPY OF LIGHTING INSTRUCTION PLATE

FOR YOUR SAFETY READ BEFORE LIGHTING

This appliance must be installed in accordance with local codes, if any; if none, follow the National Fuel Gas Code, ANSI Z223.1/NFPA 54, or Natural Gas and Propane Installation Codes, CSA B149.1.

WARNING: If you do not follow these instructions exactly, a fire or explosion may result causing property damage, personal injury or loss of life. Improper installation, adjustment, alteration, service or maintenance can cause injury or property damage. Refer to the owner's information manual provided with this appliance. For assistance or additional information consult a qualified installer, service agency or gas supplier.

AVERTISSEMENT : Le non-respect des instructions du présent manuel risque de déclencher un incendie ou une explosion pouvant entraîner des dégâts matériels ou des blessures pouvant être mortelles.

Une mauvaise installation, un mauvais réglage, une altération ou un entretien mal effectué peut entraîner des dégâts matériels ou des blessures. Reportez-vous au manuel d'utilisation fourni avec cet appareil. Pour obtenir de l'aide ou des informations supplémentaires consulter un installateur ou un service d'entretien qualifié, ou le fournisseur de gaz.

A) This appliance is equipped with an ignition device which automatically lights the pilot. Do not try to light the pilot by hand.

B) **BEFORE OPERATING** smell all around the appliance area for gas. Be sure to smell next to the floor because some gas is heavier than air and will settle on the floor.

WHAT TO DO IF YOU SMELL GAS

- Do not try to light any appliance.
- Do not touch any electric switch, do not use any phone in your building.
- Immediately call your gas supplier from a neighbour's phone. Follow the gas supplier's instructions.
- If you cannot reach your gas supplier, call the fire department.

C) Do not use this appliance if any part has been under water. Immediately call a qualified service technician to inspect the appliance and replace any part of the control system and any gas control which has been underwater.

A) Cet appareil est muni d'un dispositif d'allumage qui allume automatiquement la veilleuse. Ne tentez pas d'allumer la veilleuse manuellement.

B) **AVANT LA MISE EN MARCHÉ**, renifliez tout autour de l'appareil pour déceler une odeur de gaz. Renifliez au niveau du plancher, car certains gaz sont plus lourds que l'air et peuvent s'accumuler au niveau du sol.

QUE FAIRE SI VOUS SENTEZ UNE ODEUR DE GAZ :

- Ne tentez pas d'allumer d'appareil
- Ne touchez à aucun interrupteur; n'utilisez pas de téléphones se trouvant dans le bâtiment.
- Appelez immédiatement votre fournisseur de gaz depuis un téléphone extérieur. Suivez les instructions du fournisseur.
- Si vous ne pouvez pas rejoindre le fournisseur, appelez le service incendie.

C) N'utilisez pas cet appareil s'il a été plongé dans l'eau, même partiellement. Faites inspecter l'appareil par un technicien qualifié et remplacez tout élément du système de contrôle ou de commande qui a été plongé dans l'eau.

CAUTION: Hot while in operation. Do not touch. Severe Burns may result. Due to high surface temperatures keep children, clothing and furniture, gasoline and other liquids having flammable vapors away. Keep burner and control compartment clean. See installation and operating instructions accompanying appliance.

LIGHTING INSTRUCTIONS

Important: If the pilot does not hold, turn pilot knob to "OFF" position. Wait 5 minutes to clear gas. If you smell gas - STOP! Follow the safety information above. If you don't smell gas, repeat Steps 1-6.

- 1) Push in gas control knob slightly and turn to "PILOT" position.
- 2) Push in control knob all the way and hold in until the pilot lights up. Continue to hold the control knob in for about 20 seconds after the pilot is lit. Release knob.
- 3) Push in gas control knob slightly and turn to "ON" position.
- 4) Ensure the receiver is in the remote position.
- 5) Press and release the ON/OFF button on the remote handheld transmitter. An audible beep should be heard from the receiver.
- 6) The unit will turn on.

Important : Si la veilleuse ne reste pas allumée, mettre le bouton de la veilleuse sur "OFF". Attendre 5 minutes pour laisser le gaz se dissiper. Si vous sentez du gaz, ARRÊTEZ ! Suivre les consignes de sécurité ci-dessus. Si vous ne sentez pas de gaz, répétez les opérations 1 à 6.

- 1) Appuyer légèrement sur le bouton de contrôle de gaz et mettre sur la position "PILOT".
- 2) Maintenir appuyé le bouton de contrôle jusqu'à ce que la veilleuse s'allume, puis pendant les 20 secondes qui suivent l'allumage. Relâcher le bouton.
- 3) Appuyer légèrement sur le bouton de contrôle de gaz et mettre sur la position "ON".
- 4) S'assurer que le récepteur est sur la position "Remote".
- 5) Maintenir puis relâcher le bouton ON/OFF de la télécommande manuelle. Le récepteur émettra un "bip".
- 6) L'appareil s'allume.

TO TURN OFF GAS APPLIANCE

- 1) Press "OFF" on the remote or slide receiver switch from remote to "OFF".
- 2) Turn the gas control knob to the "OFF" position to turn off the pilot. Pilot may be shut off during prolonged non use periods to conserve fuel.

- 1) Appuyer sur le bouton "OFF" de la télécommande ou positionner l'interrupteur du récepteur sur "OFF".
- 2) Mettre le bouton de contrôle de gaz sur "OFF" pour éteindre la veilleuse. Pour économiser le carburant, éteindre la veilleuse quand l'appareil reste longtemps inutilisé.

DO NOT REMOVE THIS INSTRUCTION PLATE

919-495

NORMAL OPERATING SOUNDS OF GAS APPLIANCES

It is possible that you will hear some sounds from your gas appliance. This is perfectly normal due to the fact that there are various gauges and types of steel used within your appliance. Listed below are some examples. All are normal operating sounds and should not be considered as defects in your appliance.

Blower:

Regency gas appliances use high tech blowers to push heated air farther into the room. It is not unusual for the fan to make a "whirring" sound when ON. This sound will increase or decrease in volume depending on the speed setting of your fan speed control.

Burner Tray:

The burner tray is positioned directly under the burner tube(s) and logs and is made of a different gauge material from the rest of the firebox and body. Therefore, the varying thicknesses of steel will expand and contract at slightly different rates which can cause "ticking" and "cracking" sounds. You should also be aware that as there are temperature changes within the unit. These sounds will likely re-occur. Again, this is normal for steel fireboxes.

Blower Thermodisc:

When thermally activated switch turns ON, it will create a small "clicking" sound. This is the contact switch closing.

Pilot Flame:

While the pilot flame is on it will make a slight "whisper" sound.

Gas Control Valve:

As the gas control valve turns ON and OFF, a dull clicking sound may be heard. This is normal operation of a gas regulator or valve.

Unit Body and Firebox:

Different types and thicknesses of steel will expand and contract at different rates resulting in some "cracking" and "ticking" sounds which will be heard throughout the cycling process.

MAINTENANCE INSTRUCTIONS

- 1) Always turn the gas valve to the off position before cleaning. For relighting, refer to lighting instructions. Keep the burner and control compartment clean by brushing and vacuuming at least once a year. When cleaning the logs, use a clean soft paint brush as the logs are fragile and easily damaged.
- 2) Clean (never when unit is hot) appliance, door and louvers with a damp cloth. Never use an abrasive cleaner. The finishes on louvers and doors may be scratched if abrasives are used to clean them. The heater is finished in a heat resistant paint and should only be refinished with heat resistant paint (not with wall paint). Regency uses StoveBrite Paint - Metallic Black #6309.
- 3) Make a periodic check of the burner for proper position and condition. Visually check the flame of the burner periodically, making sure the flames are steady; not lifting or floating. If there is a problem, call a qualified service person.
- 4) The appliance and venting system must be inspected before use, and at least annually, by a qualified field service person, to ensure that the flow of combustion and ventilation air is not obstructed. During the annual service call, the burners should be removed and cleaned from the burner tray.
- 5) Keep the area near the appliance clear and free from combustible materials, gasoline and other flammable vapours and liquids.

WARNING: CHILDREN AND ADULTS SHOULD BE ALERTED TO THE HAZARDS OF HIGH SURFACE TEMPERATURE AND SHOULD STAY AWAY TO AVOID BURNS OR CLOTHING IGNITION. YOUNG CHILDREN SHOULD BE CAREFULLY SUPERVISED WHEN THEY ARE IN THE SAME ROOM AS THE APPLIANCE.

CAUTION: ANY SAFETY SCREEN OR GUARD REMOVED FOR SERVICING AN APPLIANCE MUST BE REPLACED PRIOR TO OPERATING THE APPLIANCE.

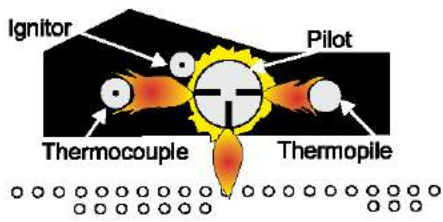
CLOTHING OR OTHER FLAMMABLE MATERIAL SHOULD NOT BE PLACED ON OR NEAR THE APPLIANCE.

- 6) Each time the appliance is lit, it may cause condensation and fog the glass. This condensation and fog is normal and will disappear in a few minutes as the glass heats up.

Never operate the appliance without the glass properly secured in place or with the door open.

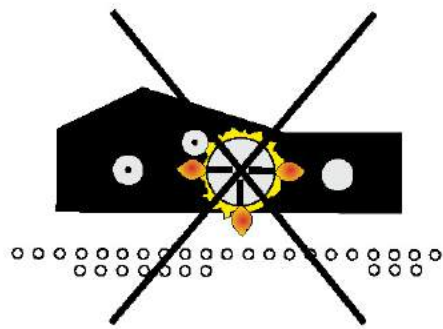
- 7) Do not use this appliance if any part has been under water. Immediately call a qualified service technician to inspect the appliance and to replace any part of the control system and any gas control which has been under water.
- 8) Periodically check the pilot flames. Correct flame pattern has three strong blue flames: 1 flowing around the thermopile and 1 around the thermocouple, and 1 flowing across the front of the burner.

Note: If you have an incorrect flame pattern, contact your Regency dealer for further instructions.



*Front Burner Tube
Top view of pilot flame*

Incorrect flame pattern will have small, probably yellow flames, not coming into proper contact with the rear of the burner or thermopile.



*Front Burner Tube
Top View of pilot flame*

GENERAL VENT MAINTENANCE

Conduct an inspection of the venting system semi-annually. Recommended areas to inspect as follows:

- 1) Check the Venting System for corrosion in areas that are exposed to the elements. These will appear as rust spots or streaks, and in extreme cases, holes. These components should be replaced immediately.

- 2) Remove the Termination Cap, and shine a flashlight down the Vent. Remove any bird nests, or other foreign material.
- 3) Check for evidences of excessive condensation, such as water droplets forming in the inner liner, and subsequently dripping out the joints. Continuous condensation can cause corrosion of caps, pipe, and fittings. It may be caused by having excessive lateral runs, too many elbows, and exterior portions of the system being exposed to cold weather.
- 4) Inspect joints to verify that no pipe sections or fittings have been disturbed, and consequently loosened. Also check mechanical supports such as Wall Straps, or plumbers' tape for rigidity.

LOG REPLACEMENT

The unit should never be used with broken logs. Turn off the gas valve and allow the unit to cool before opening door to carefully remove the logs. The pilot light generates enough heat to burn someone. If for any reason a log should need replacement, you must use the proper replacement log. The position of these logs must be as shown in the diagram under Log Installation.

NOTE: Improper positioning of logs may create carbon build-up and will alter the unit's performance which is not covered under warranty.

GLASS GASKET

If the glass gasket requires replacement use a tadpole gasket for the Flush Front Glass (Part # 936-155).

DOOR GLASS

Your Regency insert is supplied with high temperature, 5mm Neoceram ceramic glass that will withstand the highest heat that your unit will produce. Do not abuse the glass by striking the surface or by slamming the door shut.

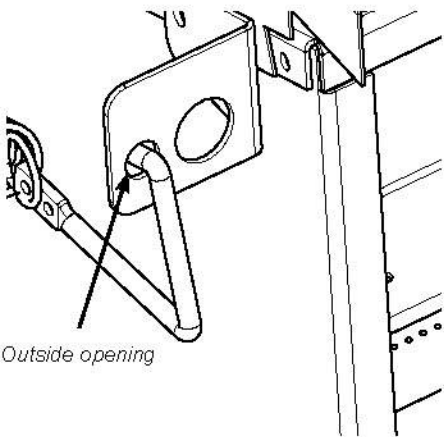
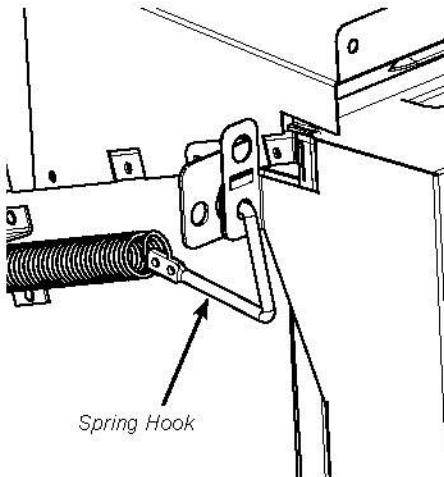
If your glass requires cleaning, we recommend using an approved glass cleaner available at all authorized dealers. **Do not use abrasive materials. Do not clean the glass when hot.**

In the event that you break your glass by impact, purchase your replacement from an authorized Regency dealer only, do not use substitute materials. Follow our step-by-step instructions for replacement. **Warning: Wear gloves when removing damaged or broken glass.**

Caution: Do not operate appliance with glass panels removed, cracked or broken. Replacement of the glass should be done by a licensed or qualified service person.

FAN REPLACEMENT

- 1) Unplug the power source.
- 2) Remove the faceplate.
- 3) Remove the safety screen.
- 4) Remove the glass door.
 - a) Pull the spring hook on the left that holds the door in place. Place the hook into the opening towards the outside of the bracket. Repeat on right side.



- b) Swing the door out 45 degrees and lift up and out.

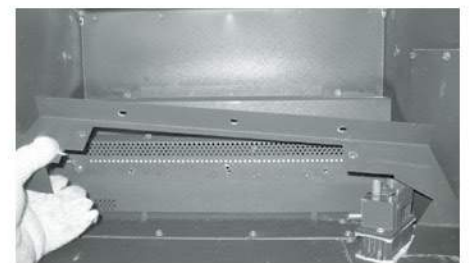
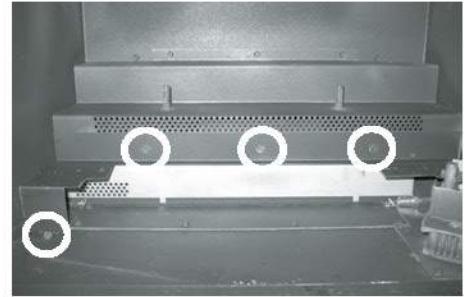


- 5) Remove the logs.
- 6) Remove brick panels, if installed.
- 7) Remove the burner by undoing the 3 screws.



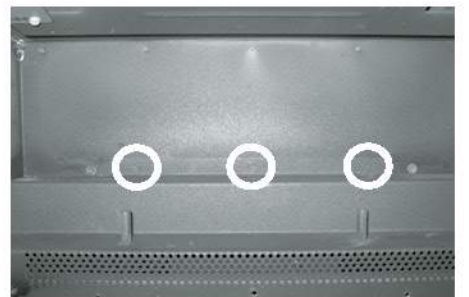
Burner Removed

- 8) Remove the burner tray by undoing the 4 screws.



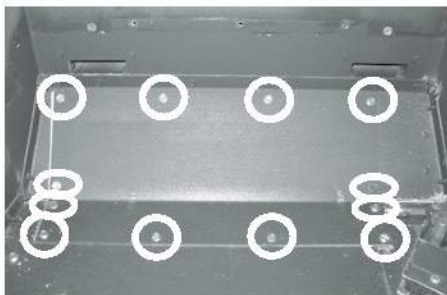
Burner Tray Removed

- 9) Remove the rear log tray by undoing the 3 screws.



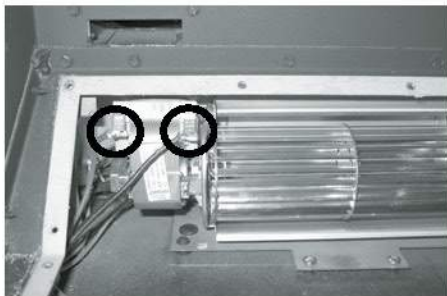
Rear Log Tray Removed

10) Remove the fan cover plate by undoing the 12 screws that hold it in place.

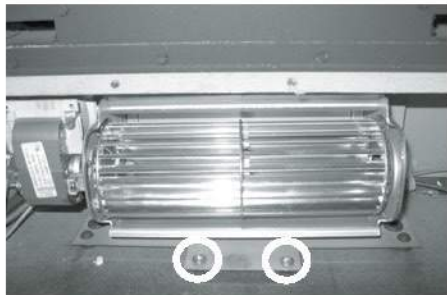


Fan Cover Plate Removed

11) Unplug the fan connector wires.



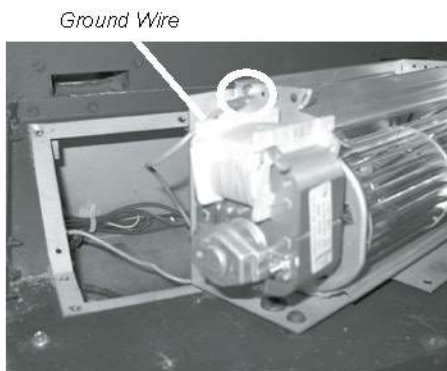
12) Remove the 2 screws that hold the fan bracket in place.



13) Remove the fan by sliding the fan forward and lift up and out.

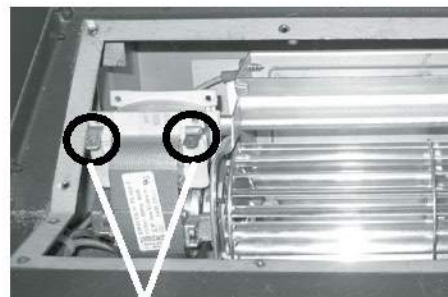


14) Remove the ground screw which holds the ground wire.



15) Replace the fan.

NOTE: Bend the connector clips down before re-installing the fan cover plate.

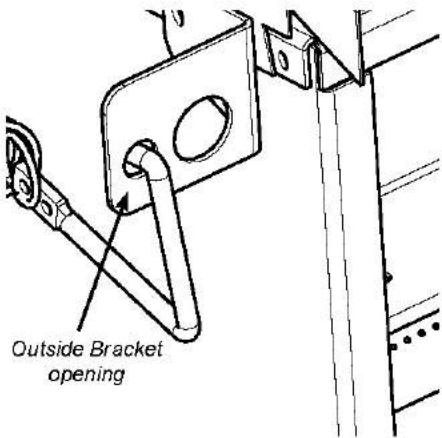
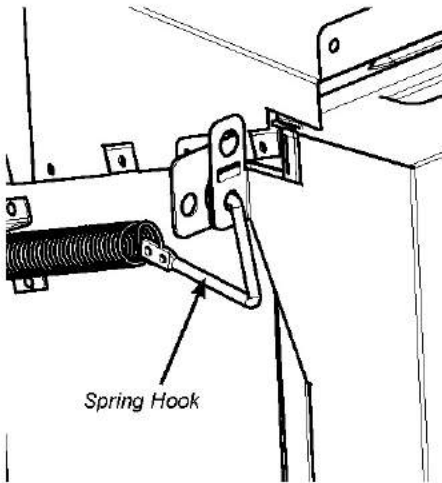


Connector Clips

16) Reverse steps 14 - 1.

VALVE REPLACEMENT

- 1) Remove the faceplate - see instructions in manual.
- 2) Remove the safety screen and glass door.
 - a) Pull the spring hook on the left that holds the door in place. Place the hook into the opening towards the outside of the bracket. Repeat on right side.



- b) Swing the door out 45 degrees and lift up and out.



- 3) Remove the logs.
- 4) Remove brick panels, if installed.
- 5) Remove the valve shield by undoing the 2 screws.



- 6) Disconnect the gas connection to the valve.
- 7) Disconnect the ignitor wire from the DC Sparker.
- 8) Disconnect the valve wires from the DC Sparker.

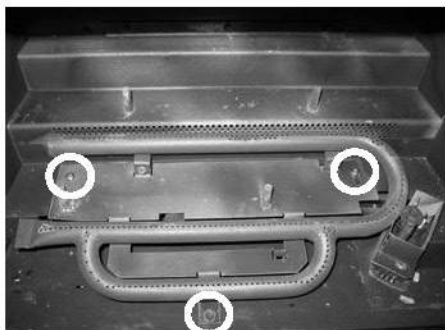
DC Sparker Wires



- 9) Unplug the 2 connectors from the valve.

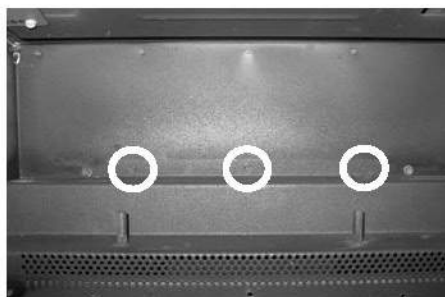


10) Remove the burner by undoing the 3 screws.



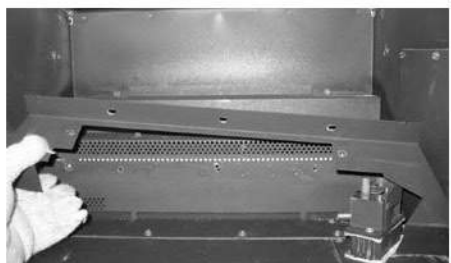
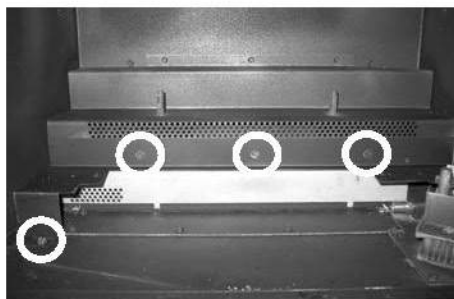
Burner Removed

12) Remove the rear log tray by undoing the 3 screws.



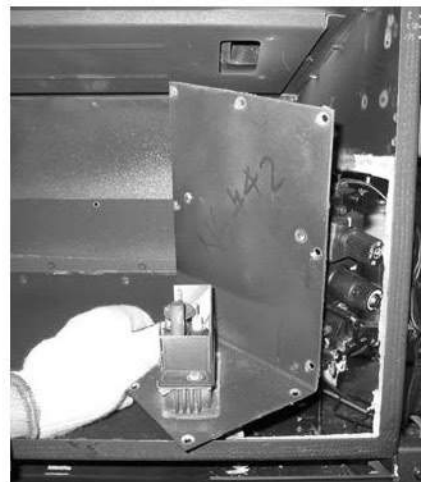
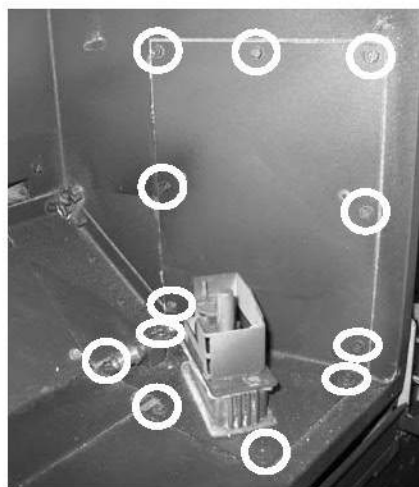
Rear Log Tray Removed

11) Remove the burner tray by undoing the 4 screws.



Burner Tray Removed

13) Remove the 12 screws that hold the valve tray to the firebox and carefully pull out.



Valve Removed

14) Replace the valve.

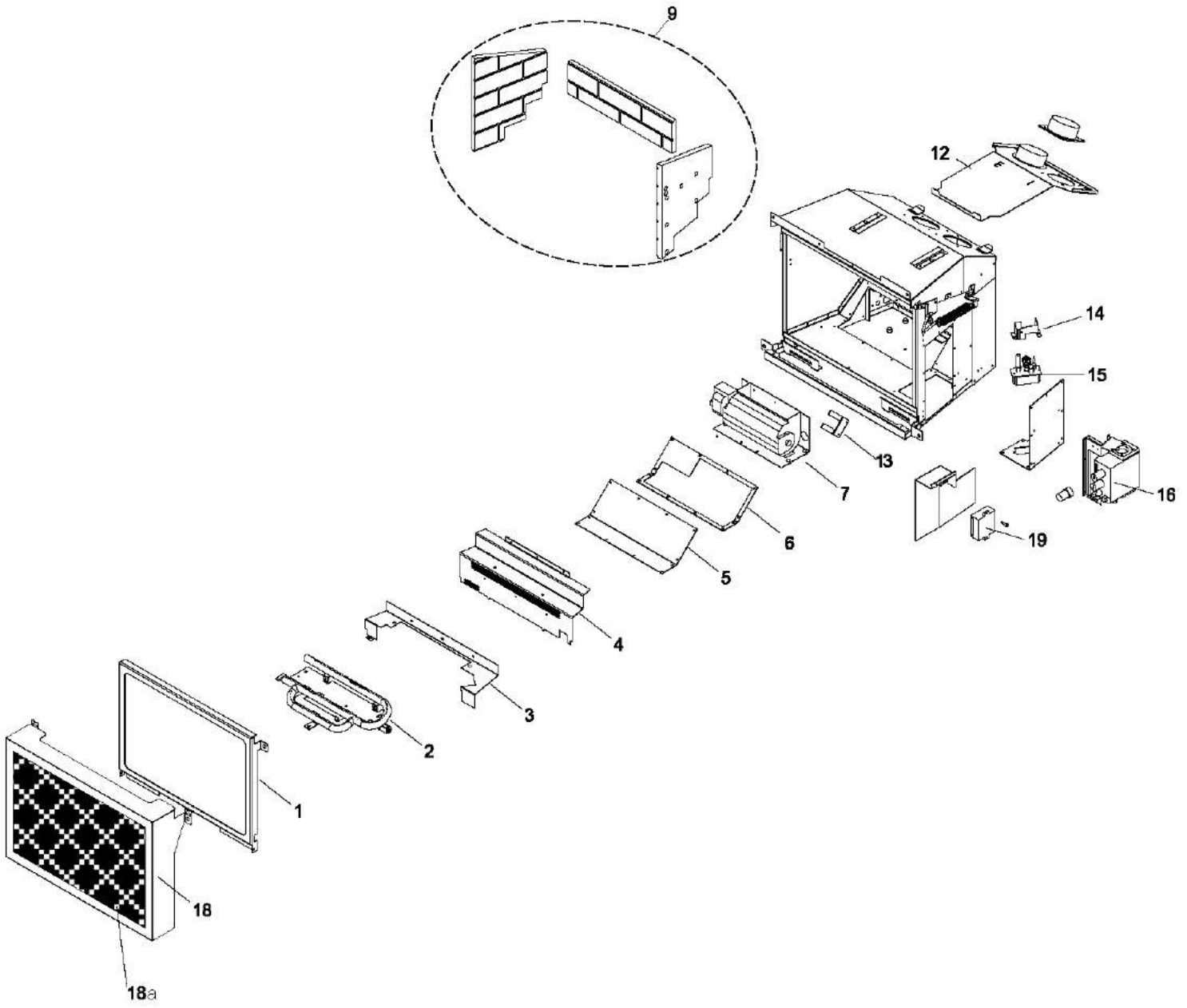
15) Reverse steps 13 - 1.

MAIN ASSEMBLY

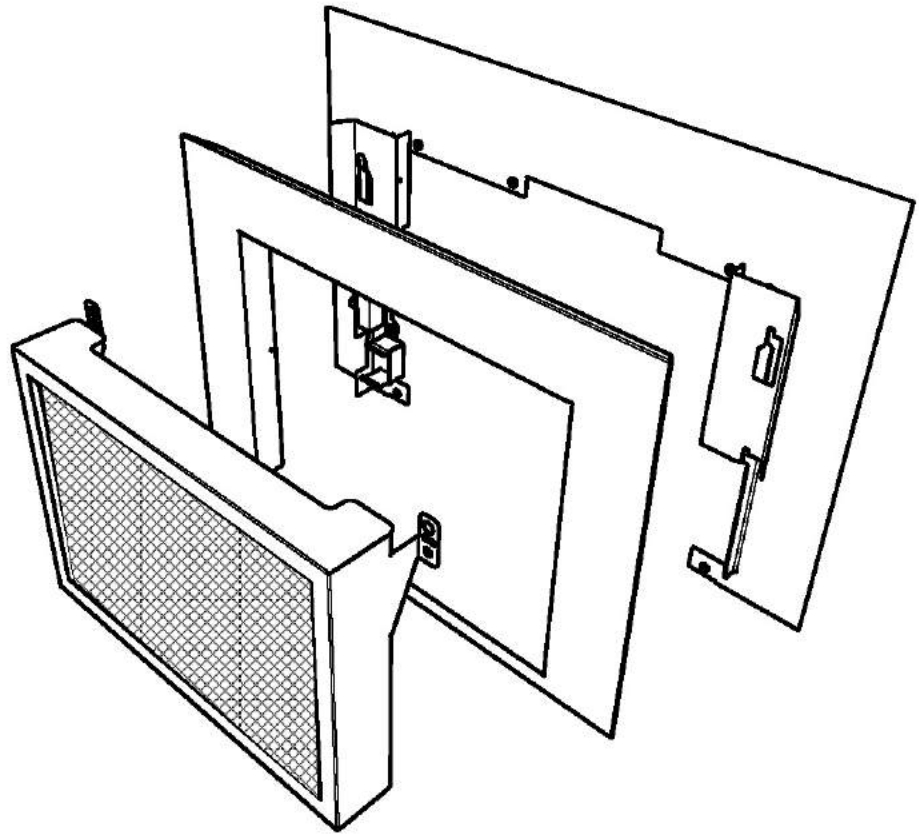
Part #	Description	Part #	Description
1)	940-355/P Glass	16)	537-574/P Valve Assembly - NG
	536-539 Door Frame Assembly no Glass		537-576/P Valve Assembly - LP
	536-540 Door Frame Assembly with Glass		
2)	948-463 Burner Assy - NG/LP	910-073	Battery Holder - DC Sparker
3)	536-092 Log Tray Middle	910-074	DC Sparker - Switch
4)	536-014 Log Tray Rear	910-578	Valve - S.I.T. - Natural Gas
5)	536-011 Fan Access Plate	910-580	Valve - S.I.T. - Propane
6)	536-107 Gasket - Fan Access Plate	18)	535-001 Safety Screen Frame
7)	536-517/P Fan Assembly 120 V	18a)	535-000 Safety Screen Mesh
	910-215/P Fan Motor 120 V		535-002 Safety Screen Insert
	910-794 Power Cord	911-228/P	Remote Receiver
	910-985 Wire Harness (Faceplate) - Black	910-592	Remote Transmitter Handheld GTMF
	910-986 Wire Harness (Faceplate) - Red	19)	911-127 Remote receiver battery compartment
	910-692 Wire Fan to Power Cord Ground		910-386 Thermocouple
	910-142 Fan Auto On/Off Thermodisc		910-341 Thermopile
	536-522 Baffle Plate Assembly	910-096	Pilot Hood
9)	536-901 Brick Panel Set - Standard Brown	910-036	Pilot Orifice NG
9)	536-902 Brick Panel Set - Standard Red	910-037	Pilot Orifice LP
	511-031 Brick Clip	910-432	Pilot Tube w/nuts
		910-581	Stepper Motor NG
12)	537-515 Flue Adaptor Assembly	910-582	Stepper Motor LP
13)	820-389 Thermodisc Bracket	536-106	Thermal Insulation
14)	536-091 Pilot Shield	536-109	Gasket - Valve Tray
15)	910-038/P Pilot Assy- 3 Flame - S.I.T. - NG	536-930	Complete Log Set
	910-039/P Pilot Assy - 3 Flame - S.I.T. - LP	537-969	Conversion Kit LP
	904-430 Orifice #42 - NG	537-940	Hearth Trim
	904-163 Orifice #54 - LP	919-442	Manual
	936-170 Orifice Gasket		

* Not available as a replacement part.

MAIN ASSEMBLY



537-924 Low Profile Faceplate



Limited Lifetime Warranty

FPI Fireplace Products International Ltd. (for Canadian customers) and Fireplace Products U.S., Inc. (for U.S. customers) (collectively referred to herein as “FPI”) extends this Limited Lifetime Warranty to the original purchaser of this appliance provided the product remains in the original place of installation. The items covered by this limited warranty and the period of such coverage is set forth in the table below.

Some conditions apply (see below).

The policy is not transferable, amendable or negotiable under any circumstances.

Indoor Gas Products Warranty Coverage Parts and Labor	Part				Supplier	Labor Coverage
	Lifetime	5 years	2 years	1 year	Warranty	(Years)
Firebox and Heat Exchanger	✓					3
Steel Burner Tube	✓					3
Glass Thermal breakage only	✓					3
All Surrounds/Inlays Finishes		✓				3
Brick Panels/Log sets/Ceramic Burners		✓				3
All Castings		✓				3
Valve assembly and all gas control components, (Pilot assembly, flame sensors, Spark Electrode, Pilot Tubing, Orifices, Thermocouple, Thermopile)			✓			2
All Other Electrical components,(Ignition Control Boards, Wiring, Switches, Blowers, Blower Control Module, Battery Pack, Remote Control Systems)			✓			2
Enamel Panels			✓			1
Venting/Venting Components			✓			1
All Stainless steel surrounds				✓		1
All Firebox Media (Crystals, Firebeads, Volcanic, Ceramic & Spa Stones)				✓		1
All hardware				✓		1
Mesh/Glass Safety Barriers				✓		1
Accent Light Bulbs				✓		1
Glass (Crazing)				✓		1

Conditions:

Warranty protects against defect in manufacture or FPI factory assembled components only, unless herein specified otherwise.

Any part(s) found to be defective during the warranty period as outlined above will be repaired or replaced at FPI’s option through an accredited distributor, dealer or pre-approved and assigned agent provided that the defective part is returned to the distributor, dealer or agent for inspection if requested by FPI. Alternatively, FPI may at its own discretion fully discharge all of its obligations under the warranty by refunding the verified purchase price of the product to the original purchaser. The purchase price must be confirmed by the original Bill of Sale.

The authorized selling dealer, or an alternative authorized FPI dealer if pre-approved by FPI, is responsible for all in-field diagnosis and service work related to all warranty claims. FPI is not responsible for results or costs of workmanship of unauthorized FPI dealers or agents in the negligence of their service work.

At all times FPI reserves the right to inspect reported complaints on location in the field claimed to be defective prior to processing or authorizing of any claim. Failure to allow this upon request will void the warranty.

All warranty claims must be submitted by the dealer servicing the claim, including a copy of the Bill of Sale (proof of purchase by you). All claims must be complete and provide full details as requested by FPI to receive consideration for evaluation. Incomplete claims may be rejected.

Unit must be installed according to all manufacturers' instructions as per the manual.

All Local and National required codes must be met.

The installer is responsible to ensure the unit is operating as designed at the time of installation.

The original purchaser is responsible for annual maintenance of the unit, as outlined in the owner's manual. As outlined below, the warranty may be voided due to problems caused by lack of maintenance.

Repair/replacement parts purchased by the consumer from FPI after the original coverage has expired on the unit will carry a 90 day warranty, valid with a receipt only. Any item shown to be defective will be repaired or replaced at our discretion. No labor coverage is included with these parts

Exclusions:

This Limited Lifetime Warranty does not extend to paint, rust or corrosion of any kind due to a lack of maintenance or improper venting, combustion air provision, corrosive chemicals (i.e. chlorine, salt, air, etc.), door or glass gasketing.

Malfunction, damage or performance based issues as a result of environmental conditions, location, chemical damages, downdrafts, installation error, installation by an unqualified installer, incorrect chimney components (including but not limited to cap size or type), operator error, abuse, misuse, use of improper fuels, lack of regular maintenance and upkeep, acts of God, weather related problems from hurricanes, tornados, earthquakes, floods, lightning strikes/bolts or acts of terrorism or war, which result in malfunction of the appliance are not covered under the terms of this Limited Lifetime Warranty.

FPI has no obligation to enhance or modify any unit once manufactured (i.e. as products evolve, field modifications or upgrades will not be performed on existing appliances).

This warranty does not cover dealer travel costs for diagnostic or service work. All labor rates paid to authorized dealers are subsidized, pre-determined rates. Dealers may charge homeowner for travel and additional time beyond their subsidy.

Any unit showing signs of neglect or misuse will not be covered under the terms of this warranty policy and may void this warranty. This includes units with rusted or corroded fireboxes which have not been reported as rusted or corroded within three (3) months of installation/purchase.

Units which show evidence of being operated while damaged, or with problems known to the purchaser and causing further damages will void this warranty.

Units where the serial no. has been altered, deleted, removed or made illegible will void this warranty.

Minor movement, expansion and contraction of the steel is normal and is not covered under the terms of this warranty.

Freight damages for products or parts are not covered under the terms of the warranty.

Products made or provided by other manufacturers and used in conjunction with the FPI appliance without prior authorization from FPI may void this warranty.

Limitations of Liability:

The original purchaser's exclusive remedy under this warranty, and FPI's sole obligation under this warranty, express or implied, in contract or in tort, shall be limited to replacement, repair, or refund, as outlined above. IN NO EVENT WILL FPI BE LIABLE UNDER THIS WARRANTY FOR ANY INCIDENTAL OR CONSEQUENTIAL COMMERCIAL DAMAGES OR DAMAGES TO PROPERTY. TO THE EXTENT PERMITTED BY APPLICABLE LAW, FPI MAKES NO EXPRESS WARRANTIES OTHER THAN THE WARRANTY SPECIFIED HEREIN. THE DURATION OF ANY IMPLIED WARRANTY IS LIMITED TO DURATION OF THE EXPRESSED WARRANTY SPECIFIED ABOVE. IF IMPLIED WARRANTIES CANNOT BE DISCLAIMED, THEN SUCH WARRANTIES ARE LIMITED IN DURATION TO THE DURATION OF THIS WARRANTY.

Some U.S. states do not allow limitations on how long an implied warranty lasts, or allow exclusion or limitation of incidental or consequential damages, so the above limitations or exclusions may not apply to you.

Customers located outside the U.S. should consult their local, provincial or national legal codes for additional terms which may be applicable to this warranty.

How to Obtain Warranty Service:

Customers should contact the authorized selling dealer to obtain warranty service. In the event the authorized selling dealer is unable to provide warranty service, please contact FPI by mail at the address listed below. Please include a brief description of the problem and your address, email and telephone contact information. A representative will contact you to make arrangements for an inspection and/or warranty service.

Canadian Warrantor:

FPI Fireplace Products International Ltd.
6988 Venture St.
Delta, British Columbia
Canada, V4G 1H4

U.S. Warrantor:

Fireplace Products U.S., Inc.
PO Box 2189 PMB 125
Blaine, WA
United States, 98231

Or contact the Regency Customer Care Centre at 1-800-442-7432 (phone) / 604-946-4349 (fax)

Product Registration and Customer Support:

Thank you for choosing a Regency Fireplace. Regency strives to be a world leader in the design, manufacture, and marketing of hearth products. To provide the best support for your product, we request that you complete a product registration form at <http://www.regency-fire.com/Customer-Care/Warranty-Registration.aspx> within ninety (90) days of purchase.



Product Registration and Customer Support:

Thank you for choosing a Regency Fireplace. Regency strives to be a world leader in the design, manufacture, and marketing of hearth products. To provide the best support for your product, we request that you complete a product registration form found on our Web Site under Customer Care within ninety (90) days of purchase.

For purchases made in **CANADA or the UNITED STATES:**

<http://www.regency-fire.com/Customer-Care/Warranty-Registration.aspx>

For purchases made in **AUSTRALIA:**

<http://www.regency-fire.com.au/Customer-Care/Warranty-Registration.aspx>

You may also complete the warranty registration form below to register your Regency Fireplace Product and mail and/or fax it back to us, and we will register the warranty for you. It is important you provide us with all the information below in order for us to serve you better.

Warranty Registration Form (or Register online immediately at the above Web Site):

Warranty Details	
Serial Number (required):	
Purchase Date (required) (mm/dd/yyyy):	
Product Details	
Product Model (required):	
Dealer Details	
Dealer Name (required):	
Dealer Address:	
Dealer Phone #:	
Installer:	
Date Installed (mm/dd/yyyy):	
Your Contact Details (required)	
Name:	
Address:	
Phone:	
Email:	

For purchases made in **CANADA:**

**FPI Fireplace Products
International Ltd.**
6988 Venture St.
Delta, British Columbia
Canada, V4G 1H4

Phone: 604-946-5155
Fax: 604-946-4349

For purchases made in the **UNITED STATES:**

Fireplace Products U.S., Inc.
PO Box 2189 PMB 125
Blaine, WA
United States, 98231

Phone: 604-946-5155
Fax: 604-946-4349

For purchases made in **AUSTRALIA:**

**Fireplace Products Australia Pty
Ltd**
1-3 Conquest Way
Hallam, VIC
Australia, 3803

Phone: +61 3 9799 7277
Fax: +61 3 9799 7822

For fireplace care and tips and answers to most common questions please visit our Customer Care section on our Web Site. Please feel free to contact your selling dealer if you have any questions about your Regency product.

INSTALLER: PLEASE COMPLETE THE FOLLOWING INFORMATION

Dealer Name & Address: _____

Installer: _____

Phone #: _____

Date Installed: _____

Serial No.: _____

