

PHTRIM-32LINEAR, PHTRIM-36LINEAR, PHTRIM-42LINEAR
Models: COSMO-IFT-B Series, RAVE-IFT-B Series, JADE-B Series
DVLINEAR36, B41L-AU

Passive Heat Trim Installation Instructions



Leave this manual with party responsible for use and operation.

CAUTION! Risk of Cuts, Abrasions or Flying Debris.
 Wear protective gloves and safety glasses during installation. Sheet metal edges are sharp.

CAUTION! Do not install damaged components.
 If any parts are missing or damaged, contact your dealer before starting installation. **DO NOT** install a damaged kit.

DANGER

HOT GLASS WILL CAUSE BURNS.

DO NOT TOUCH GLASS UNTIL COOLED.

NEVER ALLOW CHILDREN TO TOUCH GLASS.

A barrier designed to reduce the risk of burns from the hot viewing glass is provided with this appliance and must be installed for the protection of children and other at-risk individuals.

WARNING! Risk of Fire!

- Combustible materials **MUST NOT** overlap or be placed behind a decorative front.
- **DO NOT** apply combustible materials beyond the minimum clearances. Comply with all minimum clearances to combustibles as specified. Overlapping materials could ignite and will interfere with proper operation of decorative fronts.

Preparation

CAUTION! Risk of Burns!

- The fireplace should be turned off and cooled before kit is installed.
- Shut off gas supply.

Introduction

This trim kit is used with the Passive Heat Front Discharge (PH-FRT-LINEAR) Heat Management System, which conveys warm air from the fireplace into the same room through a front discharge opening. Installation of the Passive Heat kit must be done in conjunction with the appliance installation. Follow instructions included with the PH-FRT-LINEAR kit to complete installation of the Passive Heat system. Installation of this kit **MUST** be performed by a qualified service technician.

WARNING! Risk of Fire! DO NOT install the Passive Heat system with models that are not approved. Overheating will occur.

Kit Contents

Verify and remove contents from packaging before beginning installation.

- (1) Vent Cover
- (1) Vent Back Plate
- (10) Screws

Installation

1. Locate hand bends on the vent back plate as shown in Figure 1. Use a screwdriver to bend them in the same direction as the long and short bends. The number of hand bends may vary by appliance size.

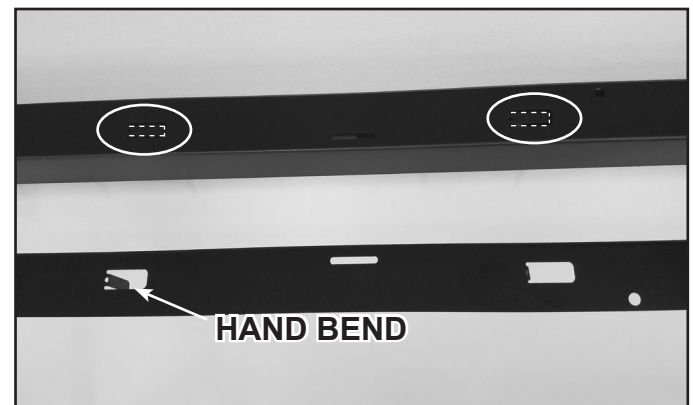


Figure 1 Back Plate Hand Bends

2. Install the vent back plate with the bends oriented toward the wall and the longest bend on top. Attach the vent back plate to the wall using eight screws. See Figures 2, 4 and 5.
3. Attach the inside bends to the framing using two screws. See Figure 5.

4. Attach the vent cover to the vent back plate by lining up the hooks of the vent cover plate to the slots on the vent back plate. Slide cover to engage hooks. See Figure 3.

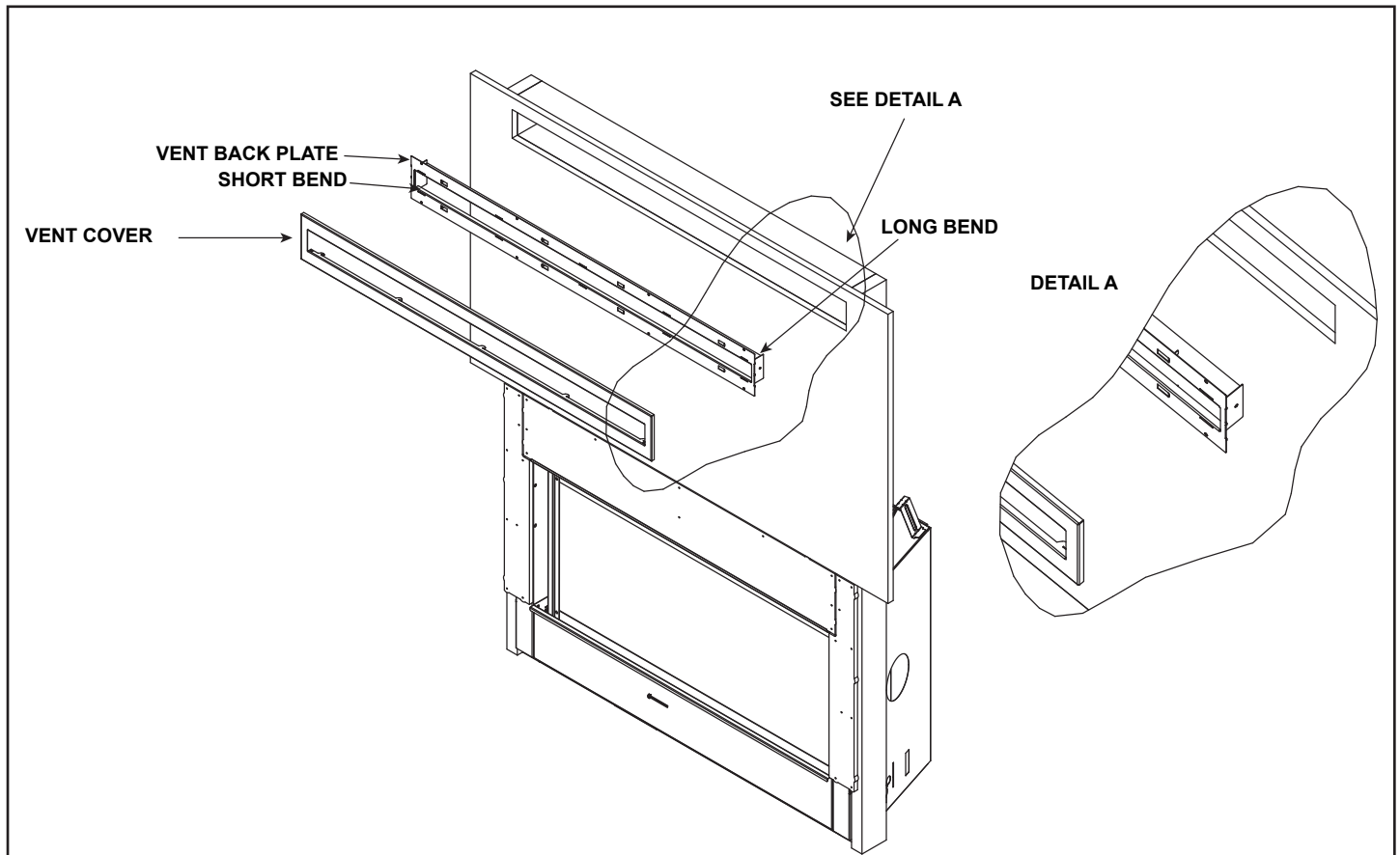


Figure 2 Orientation of Back Plate Bends

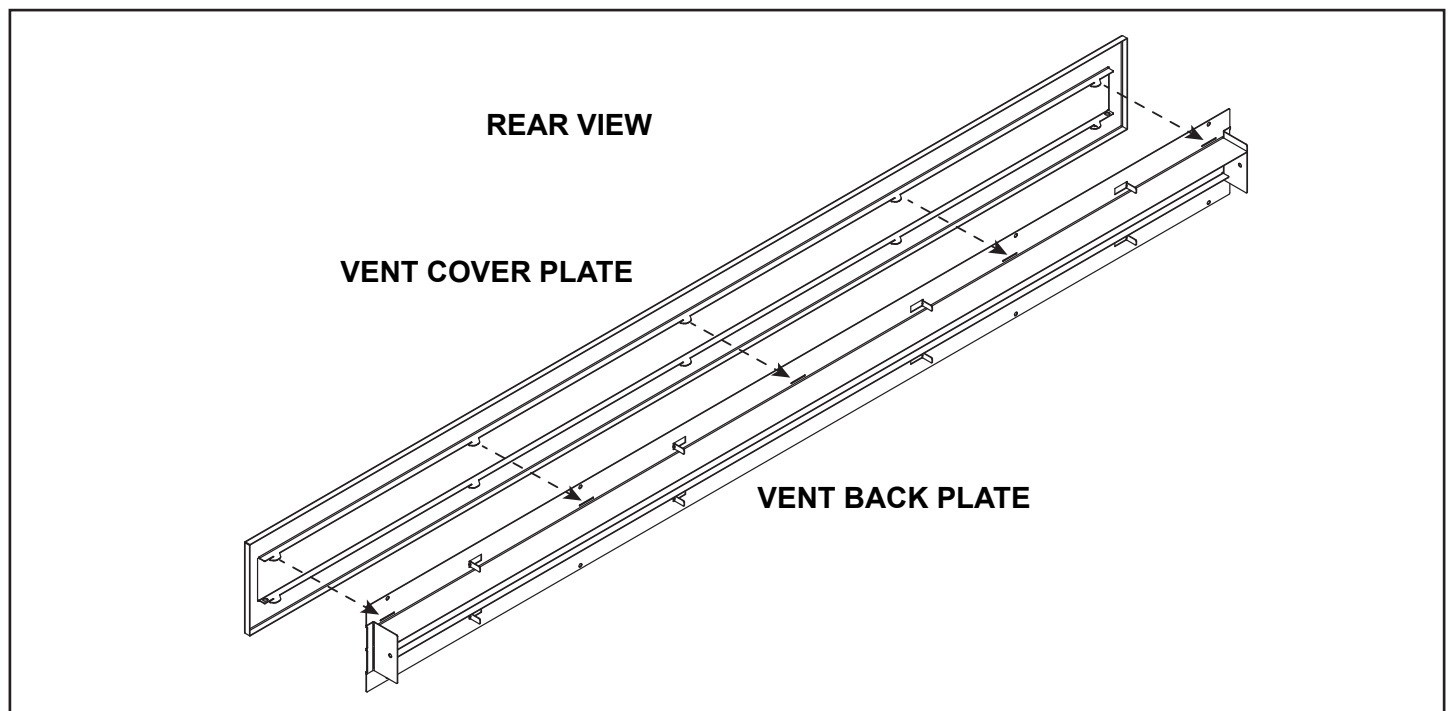


Figure 3 Attach Vent Cover to Vent Back Plate - Rear View

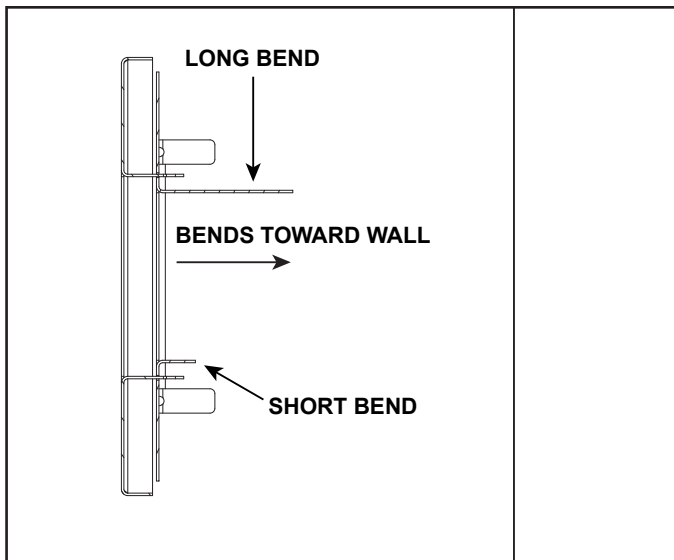


Figure 4 Back Plate Orientation

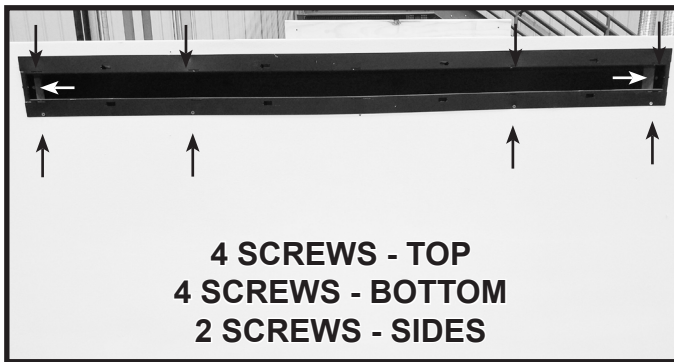


Figure 5 Attach Back Plate to Wall

Painting

The location of the Passive Heat discharge opening could allow for venting and other construction materials to be visible. It is recommended to paint the vent pipe, firestop, and other visible construction materials, as shown in Figure 6, using a high temperature paint with a minimum of 300 °F continuous exposure rating. Hearth & Home Technologies recommends using black touch up paint (part number TUP-GBK-12) available from your Hearth & Home Technologies dealer.

If desired finishing includes painting of the front discharge vent cover and screws, 100% acrylic latex paint with compatible primer is recommended.

Maintenance

Service and maintain the gas fireplace per instructions. Keep the air register(s) clean and free of any blockage.

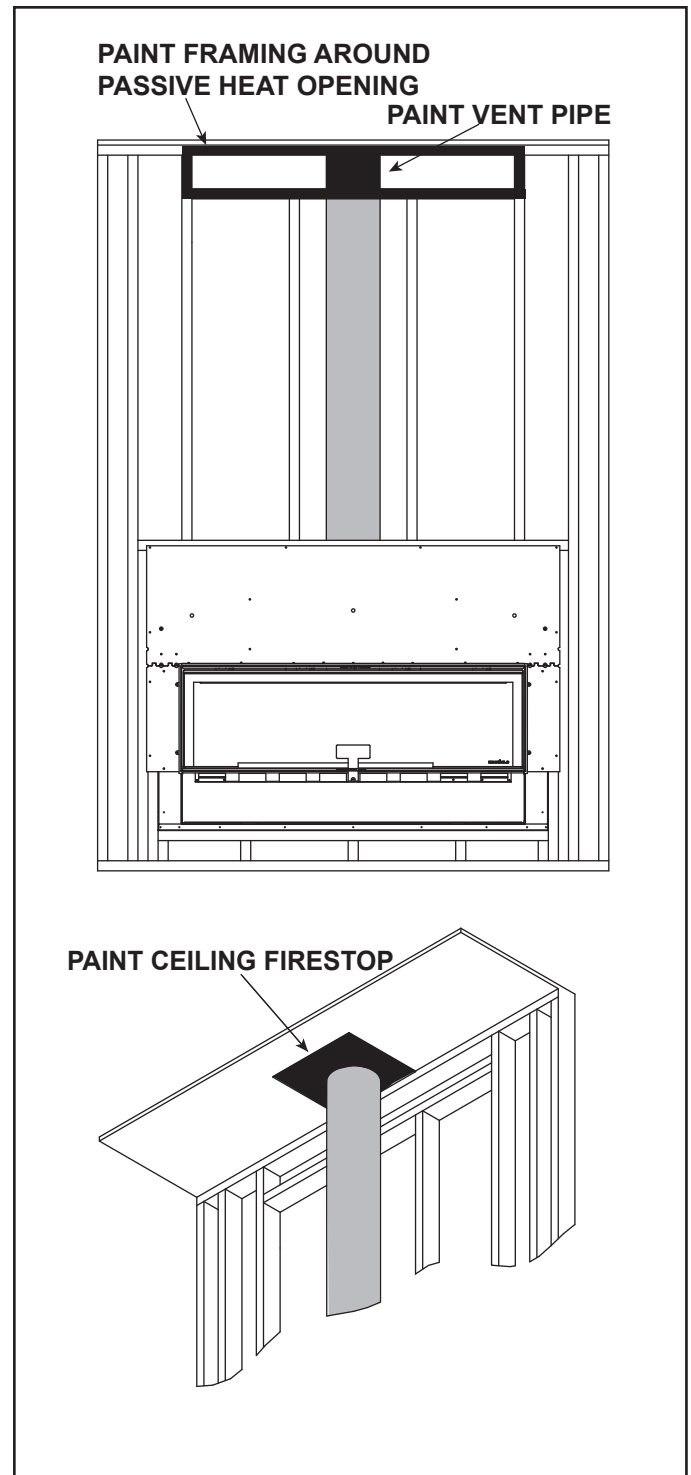


Figure 6 Painting Visible Components

Hearth & Home Technologies
 7571 215th Street West, Lakeville, MN 55044