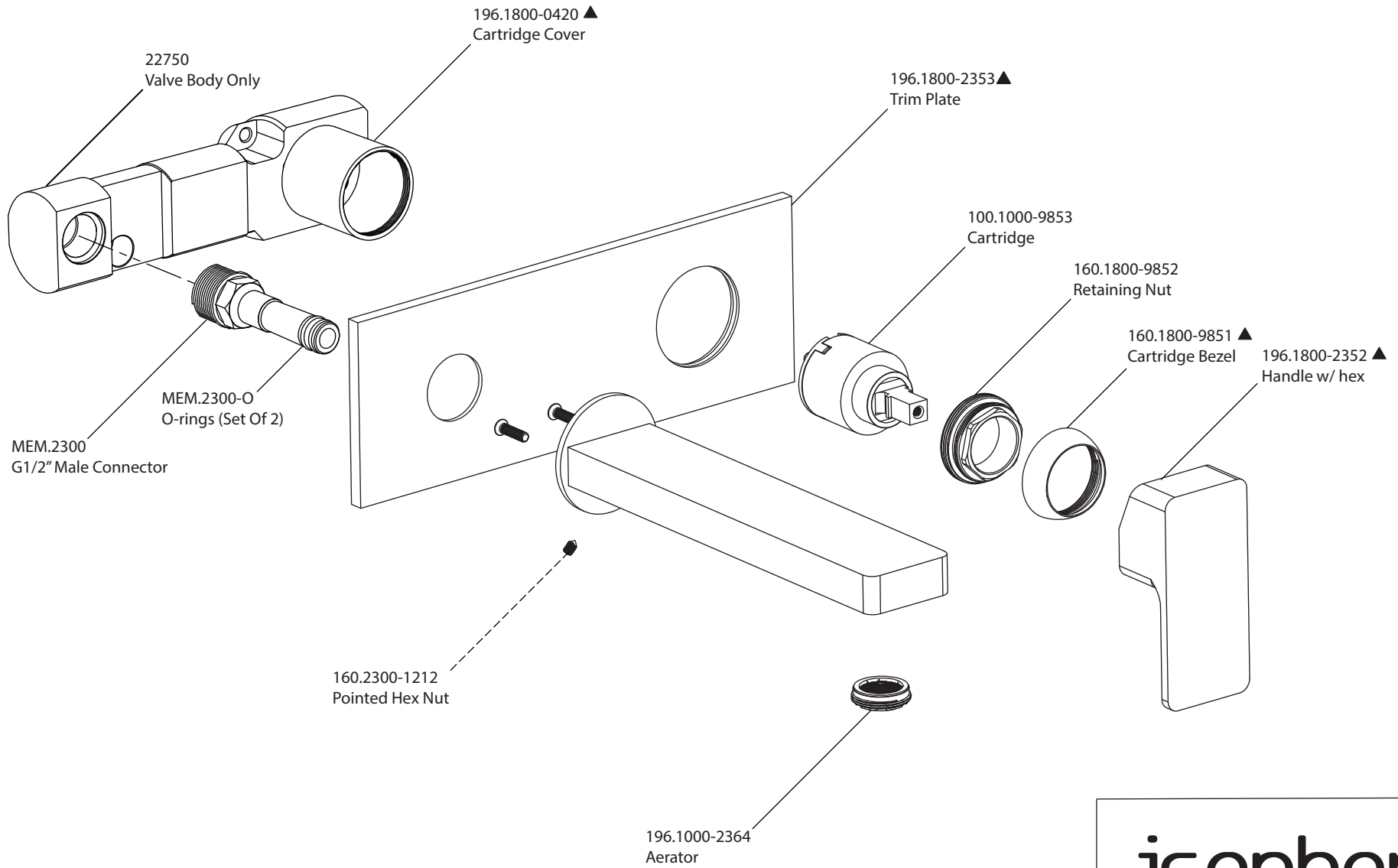


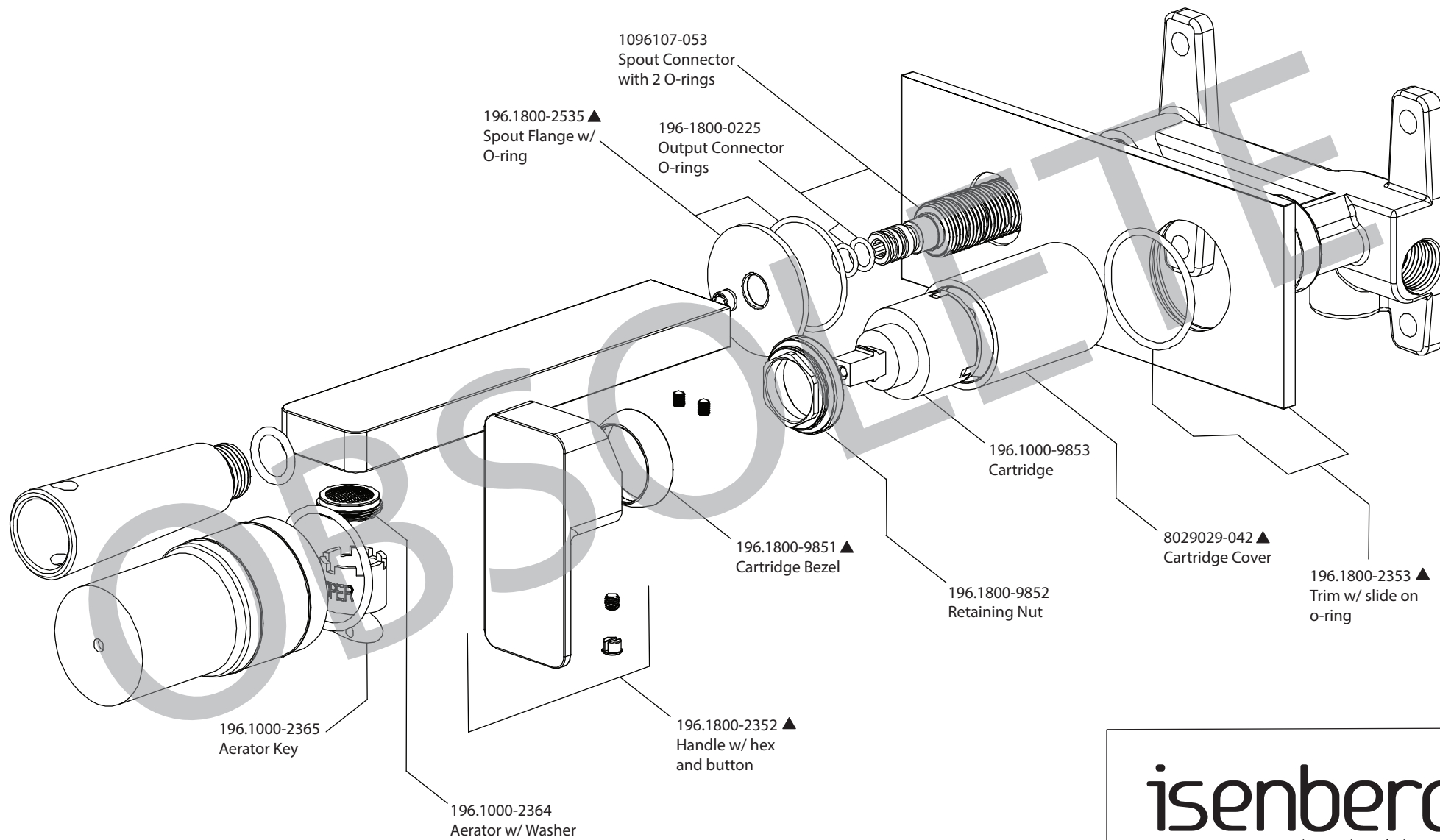
Product Parts Breakdown



isenberg
innovation + design

196.1800

Product Parts Breakdown



isenberg
innovation+design

196.1800

Ver 2.54