

Wire rope hanger PART "A",  
(see instructions for photo)

Power cord through ceiling canopy  
The canopy attaches to J-Box through  
nipple and strain relief.

PART "A"

Power cable,  
hang from left or right

3/64" stainless steel wire rope  
(height adjustable at fixture)

Supplied O-ring (2)

3" both  
sides

10"

48"

6"

Frosted acrylic



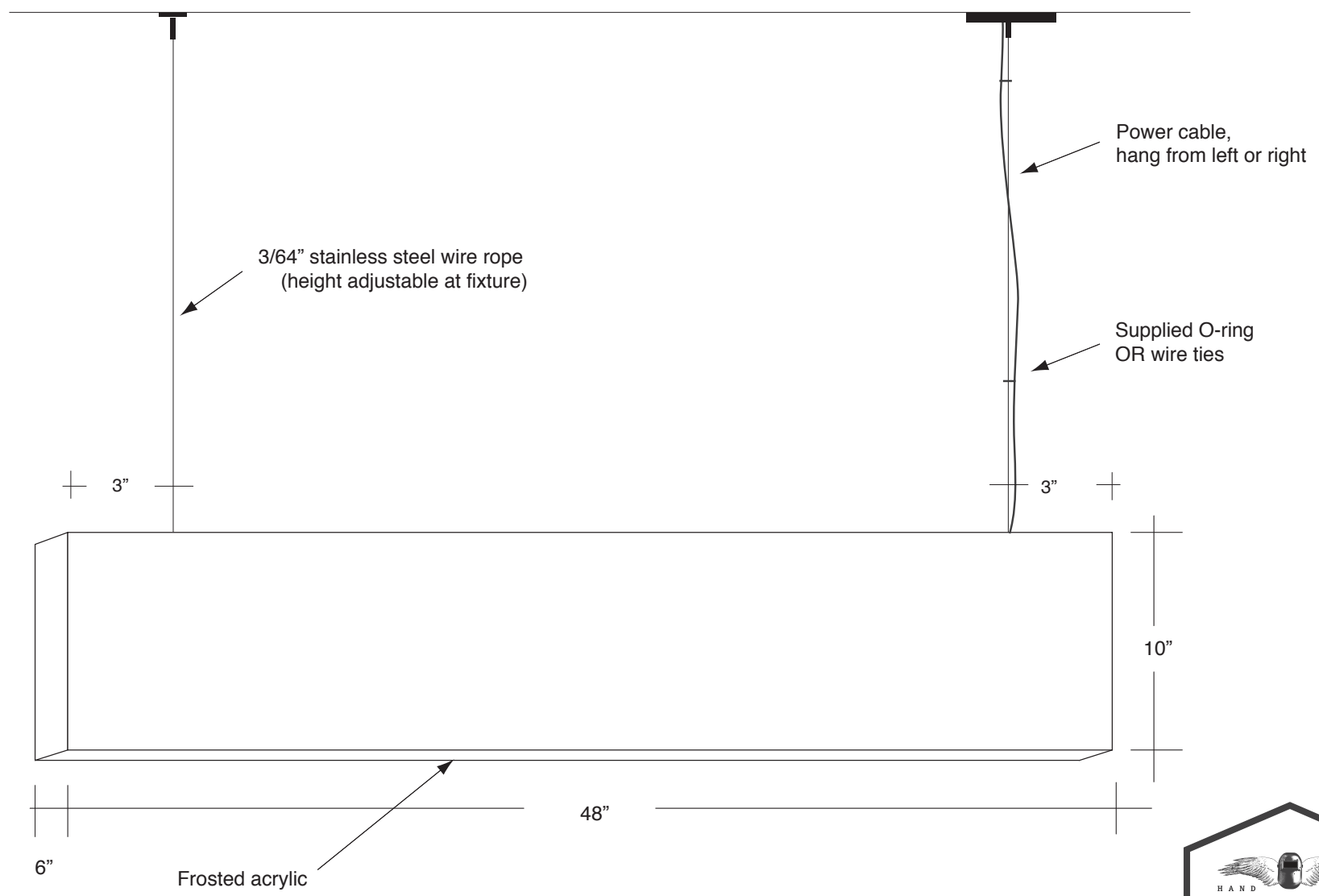
FOR CENTER LOCATED POWER

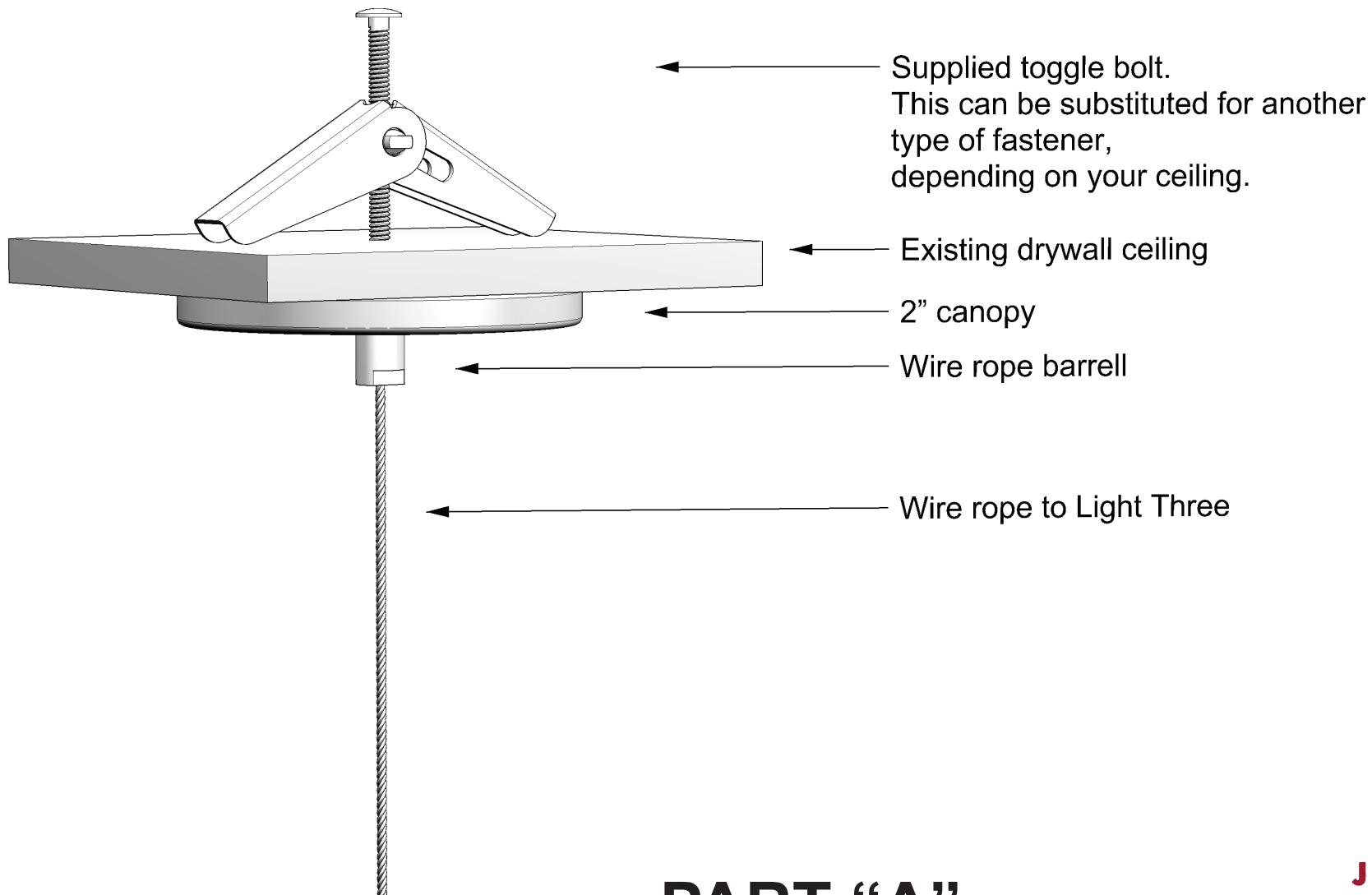
REV. 03/19

[www.johnbecksteel.com](http://www.johnbecksteel.com)

Wire rope hanger PART "A",  
(see instructions for photo)

Power cord and hanging wire through ceiling canopy  
The canopy attaches to J-Box w/screws.

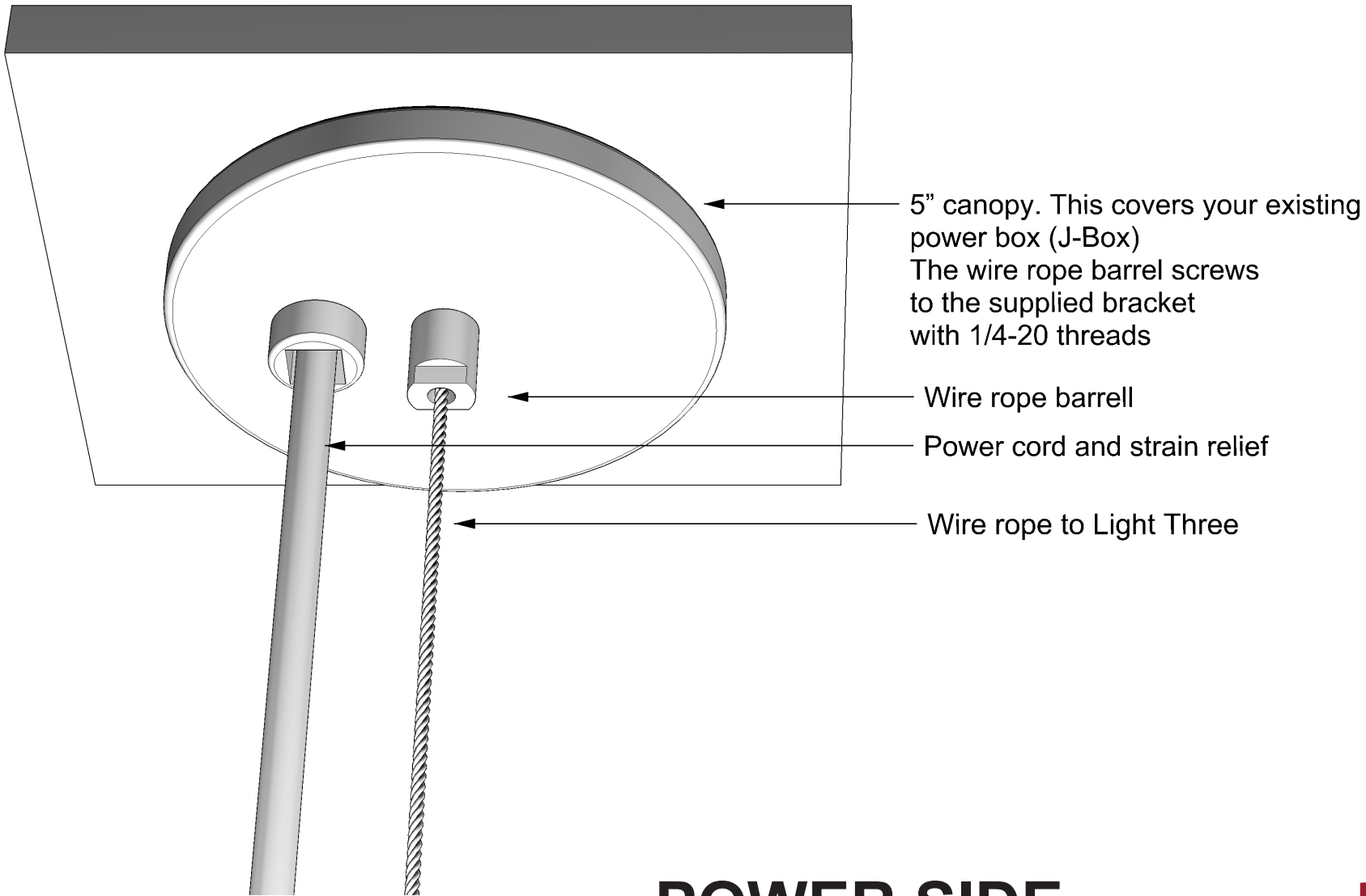




# PART "A"

Light Three Hanging Detail.  
 Non power side.





## POWER SIDE

Light Three Hanging Detail.  
Power side.

06/15



[www.johnbecksteel.com](http://www.johnbecksteel.com)