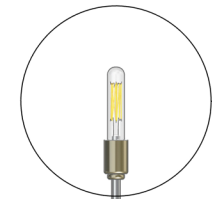
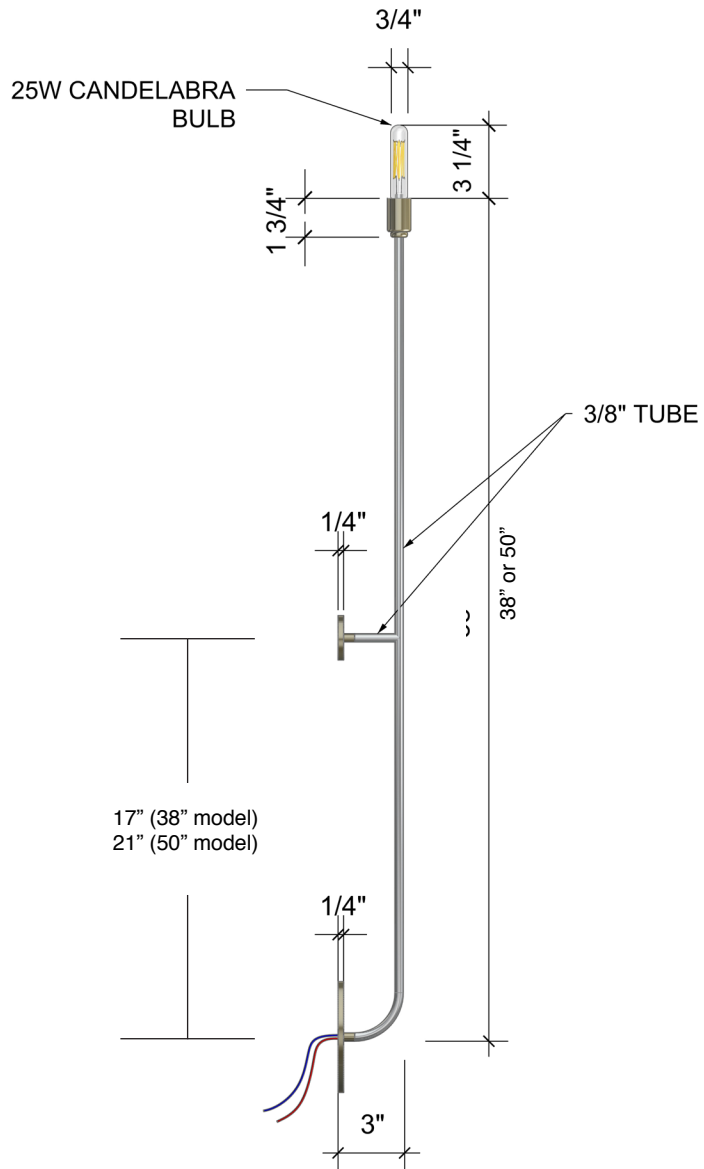


**STICK SCONCE, ALL SIZES, HARDWIRE AND PLUG-IN
FOR INSTALLATION BY QUALIFIED ELECTRICIAN ONLY**



www.johnbecksteel.com

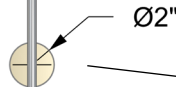
618-692-7229



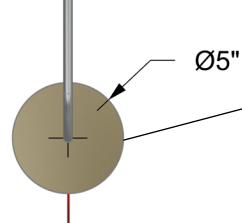
Use supplied bulb or any bulb with a candelabra base, MAX wattage is 60W. LED or incandescent.

Fixture must be level vertically.

After locating the sconce exactly where it is to be installed:



1. Secure to wall with coarse threaded screws and blue anchors. Screws holes should be level, horizontal. Holes for anchors should be drilled 3/16"



2. Secure to J-box with machine screws and supplied round universal bracket. Screws holes should be level, horizontal.

FOR PLUG-IN VERSION: Attach bottom of sconce same as above in step 1.