



EstesRockets.com

Ghost Chaser™

7300



MODEL ROCKET INSTRUCTIONS

KEEP FOR FUTURE REFERENCE

IMPORTANT: Please record date found on package and keep for future reference.

READ ALL INSTRUCTIONS. Make sure you have all parts and supplies.



090001-7300
Self-stick decal

073209/210
Shock cord mount/anchor

072602
Nose cone

073211/212
Engine mount
fin can unit
(1 fin slot)

085890
Body tube

030603
Clear payload section

(2 fin slots)

072654
Pin

072658
Transition

035801
Parachute

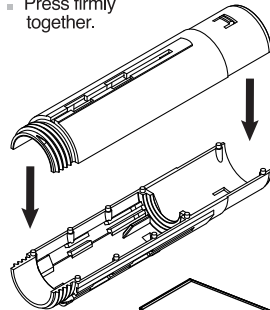
072697
Engine retainer cap

073034
Fin **X3**

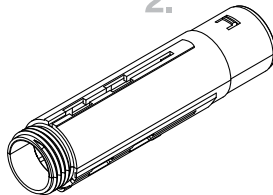
038364
Shock cord

ASSEMBLE ENGINE MOUNT FIN CAN UNIT

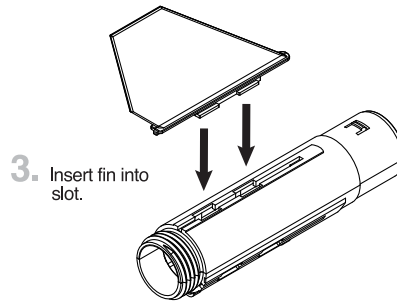
1. Press firmly together.



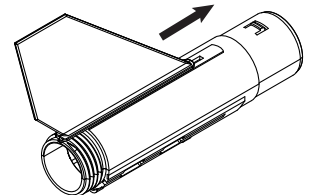
2.



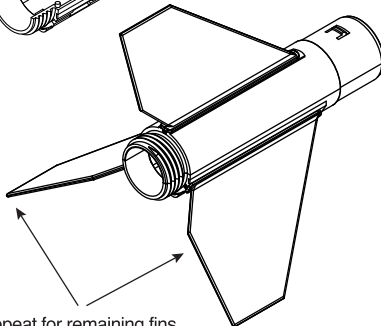
3. Insert fin into slot.



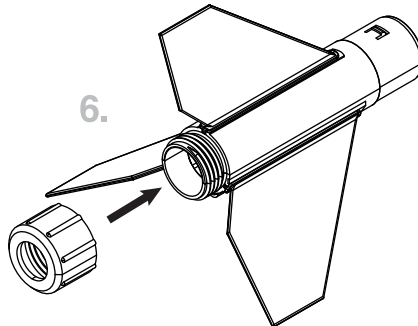
4. Slide fin forward until it stops.



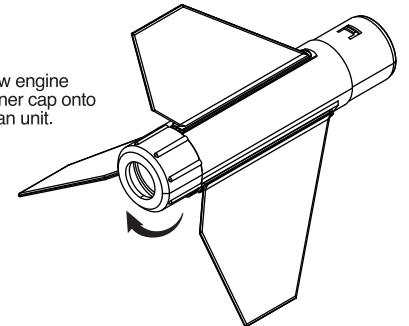
5.



6.

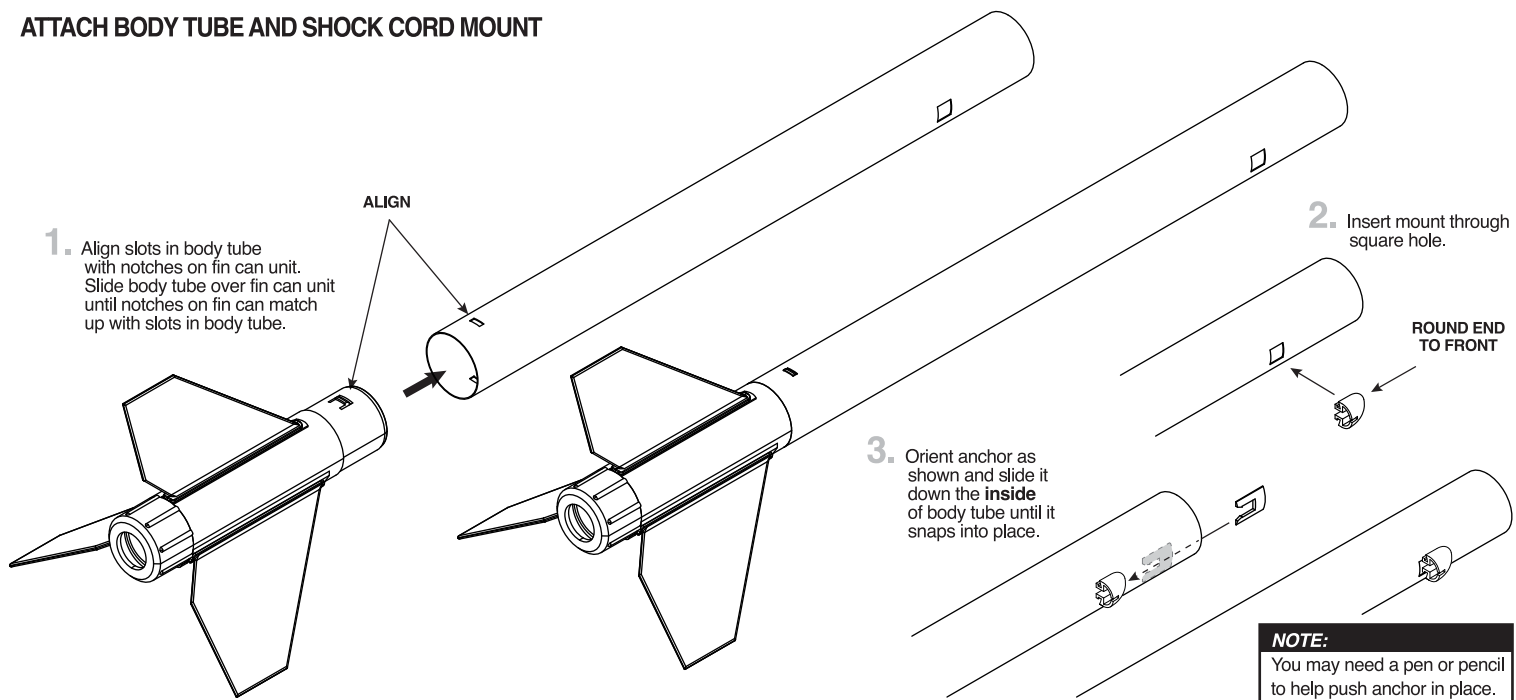


7. Screw engine retainer cap onto fin can unit.

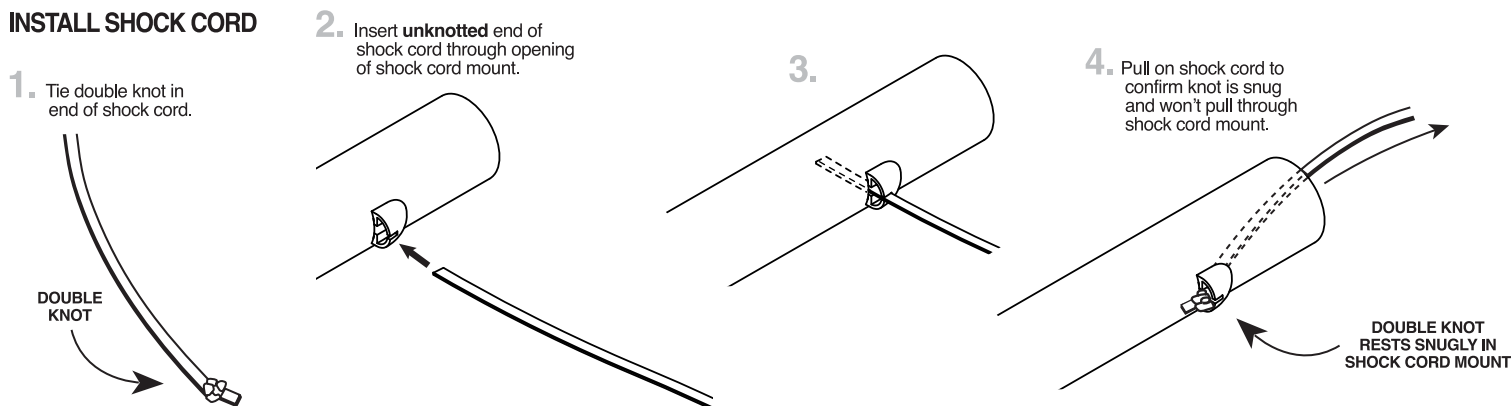


Repeat for remaining fins.

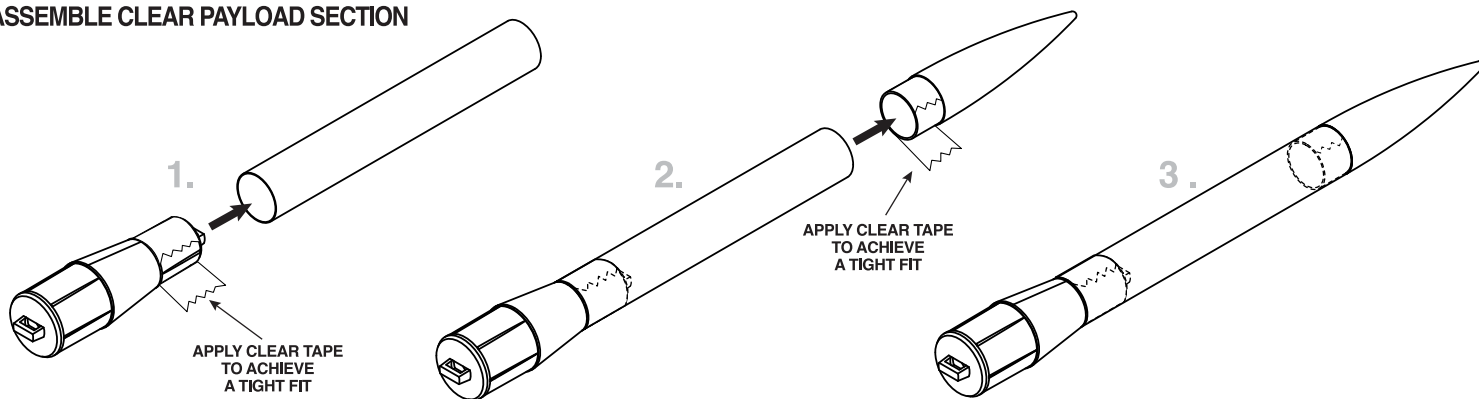
ATTACH BODY TUBE AND SHOCK CORD MOUNT



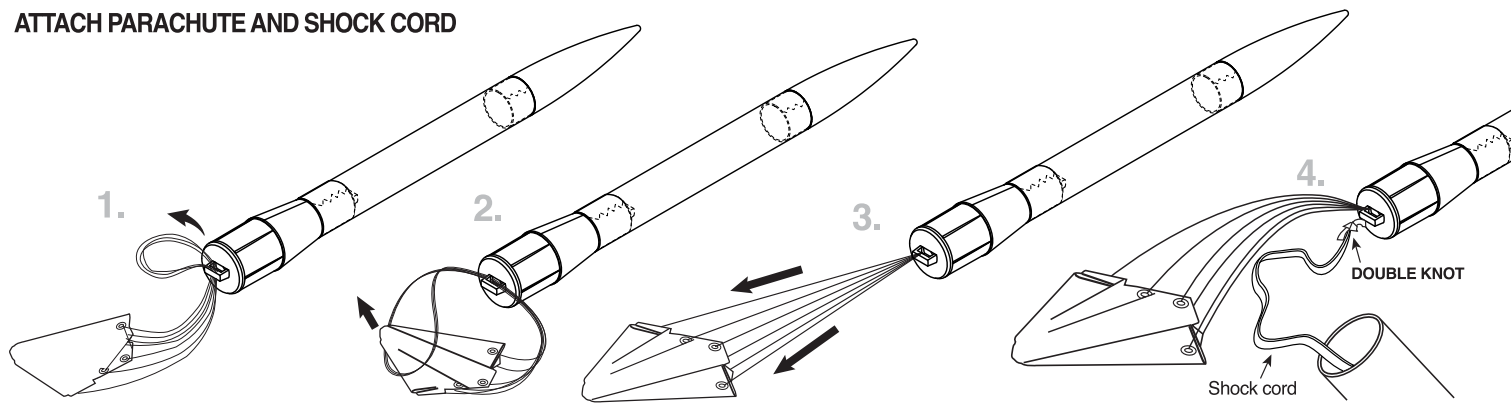
INSTALL SHOCK CORD



ASSEMBLE CLEAR PAYLOAD SECTION



ATTACH PARACHUTE AND SHOCK CORD



PREPARE FLIGHT RECOVERY

1. Push recovery wadding down towards end of body tube.

3-4 SQUARES ESTES® RECOVERY WADDING

2.

3.

4.

5. Wrap shroud lines loosely and insert parachute into body tube.

6. Insert nose cone into body tube.

NOTE:

Recovery wadding and parachute must slide easily into body tube. If too tight, redo.

APPLY DECALS

DECAL

You may add clear tape as reinforcement around body tube where it meets fin can unit.

DECAL

PREPARE ENGINE

1.

2.

3.

4. STARTER

Use 1 each.

PLUG

TIP MUST TOUCH PROPELLANT!

LAUNCH LUGS

5.

6.

7.

8.

⚠ WARNING: FLAMMABLE

To avoid serious injury, read instructions & NAR Safety Code included with engines. **PREPARE YOUR ENGINE ONLY WHEN YOU ARE OUTSIDE AT THE LAUNCH SITE PREPARING TO LAUNCH.** If you do not use your prepared engine, remove the starter before storing your engine.

NOTE:

When tightening engine cap, make sure launch lugs are centered between engine retainer cap ridges.

COUNTDOWN AND LAUNCH

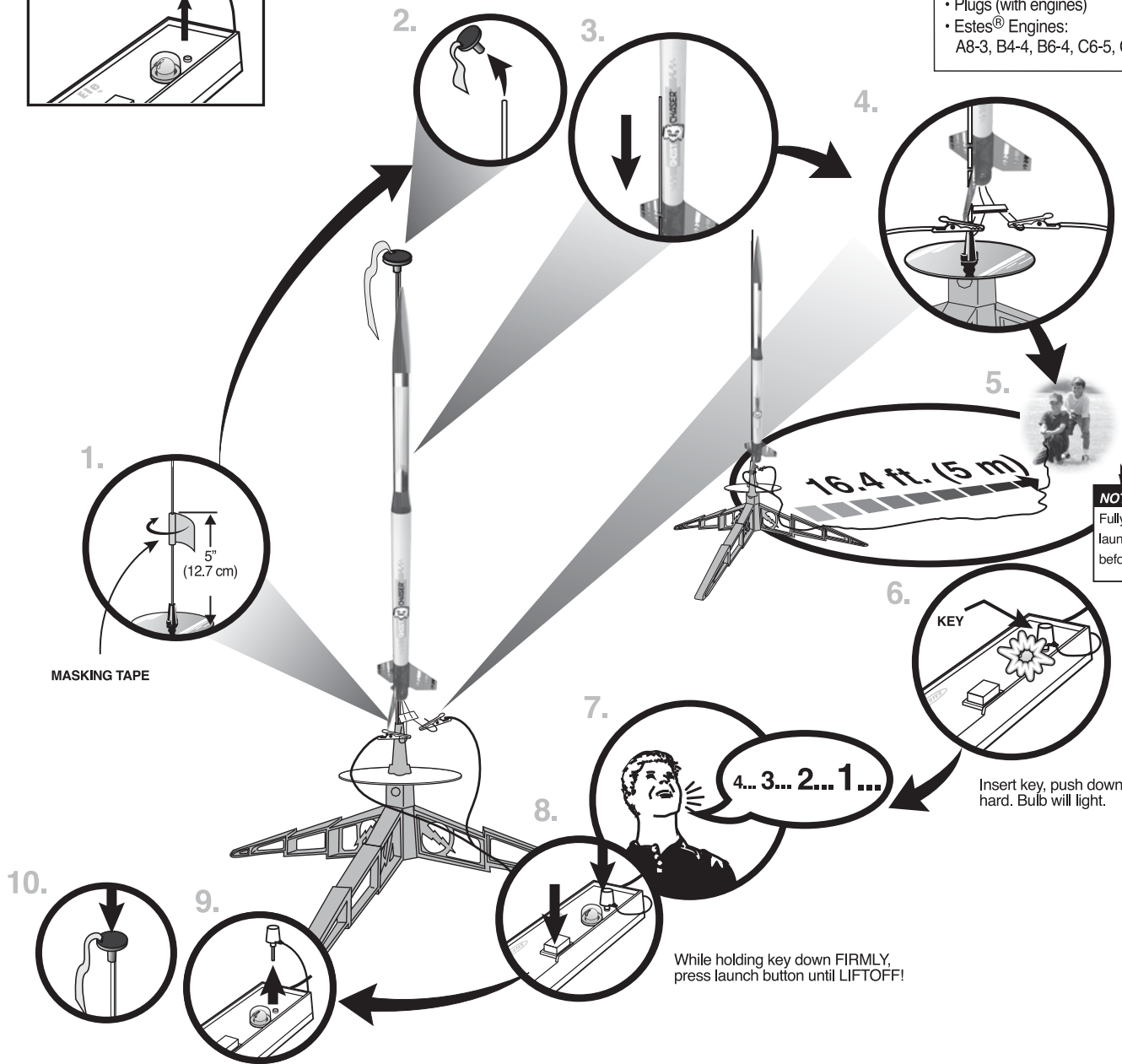
NOTE:

Key always out until final countdown!

ESTES® LAUNCH SUPPLIES NEEDED

(Sold Separately)

- Launch Pad
- Launch Controller
- Recovery Wadding
- Starters (with engines)
- Plugs (with engines)
- Estes® Engines: A8-3, B4-4, B6-4, C6-5, C6-7



NOTE:

Fully extend your launch controller wire before launching.

NOTE:

Estimated weight: 1.8 oz. (51 g)

PRECAUTIONS



NAR SAFETY CODE



NO DRY GRASS OR WEEDS

PRE-LAUNCH CHECK: For safety, never launch a damaged rocket. Check the rocket body, nose cone and fins. Also, check the engine mount, recovery system and launch lug(s). Repair any damage before launching the rocket.

FLYING YOUR ROCKET: Choose a large field (500 ft. [152 m] square) free of dry weeds and brown grass. The larger the launch area, the better your chance of recovering your rocket. Football fields and playgrounds are great. Launch only with little or no wind and good visibility. Always follow the National Association of Rocketry NAR SAFETY CODE (enclosed).

MISFIRES: TAKE THE KEY OUT OF THE CONTROLLER. WAIT ONE MINUTE BEFORE GOING NEAR THE ROCKET. Disconnect the micro-clips and remove the engine. Take the plug and starter out of the engine. A burned starter means the starter tip was not touching engine propellant. Install a new starter; be sure the tip is touching propellant inside the engine. Push the plug in place. Repeat steps under Countdown and Launch.

