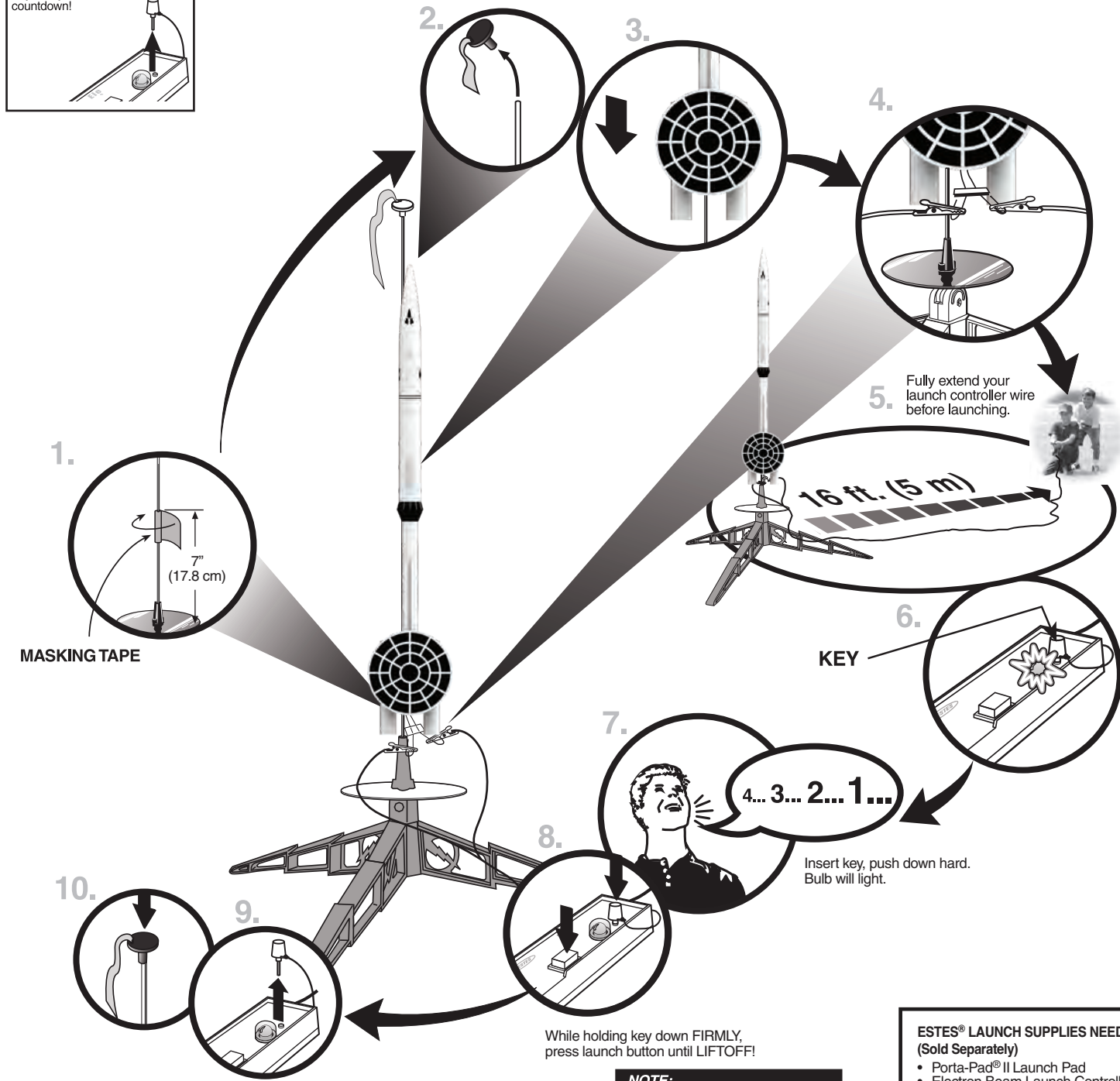
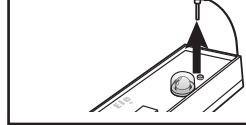


COUNTDOWN AND LAUNCH

NOTE:

Key always out until final countdown!



While holding key down FIRMLY, press launch button until LIFTOFF!

NOTE:

Estimated weight: 3 oz. (85 g)

ESTES® LAUNCH SUPPLIES NEEDED (Sold Separately)

- Porta-Pad® II Launch Pad
- Electron Beam Launch Controller
- Recovery Wadding
- Starters (with engines)
- Plugs (with engines)
- Estes® Engines: B4-4, B6-4, C6-5

PRECAUTIONS



NAR SAFETY CODE



NO DRY GRASS OR WEEDS

PRE-LAUNCH CHECK For safety, never launch a damaged rocket. Check the rocket's body, nose cone and fins. Also, check the engine mount, recovery system and launch lug(s). Repair any damage before launching the rocket.

FLYING YOUR ROCKET Choose a large field (500 ft. [152 m] square) free of dry weeds and brown grass. The larger the launch area, the better your chance of recovering your rocket. Football fields and open park areas are great. Launch only with little or no wind and good visibility. Always follow the National Association of Rocketry (NAR) SAFETY CODE.

MISFIRES TAKE THE KEY OUT OF THE CONTROLLER. WAIT ONE MINUTE BEFORE GOING NEAR THE ROCKET. Disconnect the micro-clips and remove the engine. Take the plug and starter out of the engine. A burned starter means the starter tip was not touching engine propellant. Install a new starter; be sure the tip is touching propellant inside the engine. Push the plug in place. Repeat steps under Countdown and Launch.



EstesRockets.com

B.O.S.S.™

BELT OBJECT SURVEY SHIP

7316



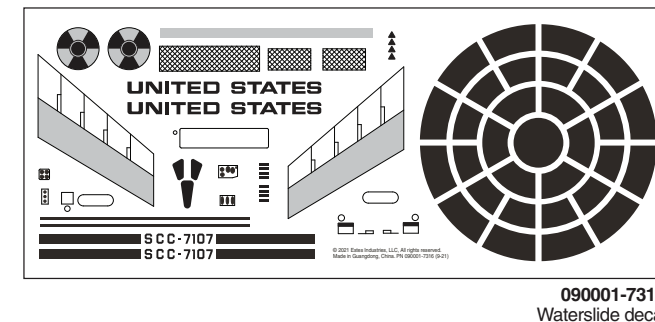
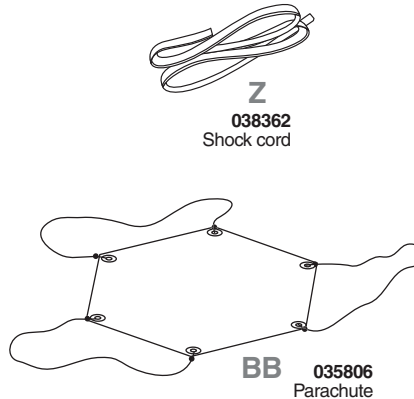
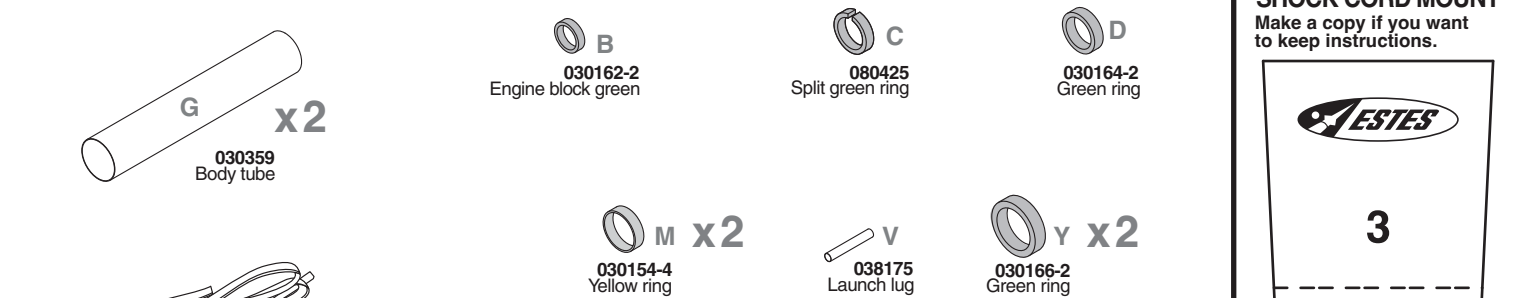
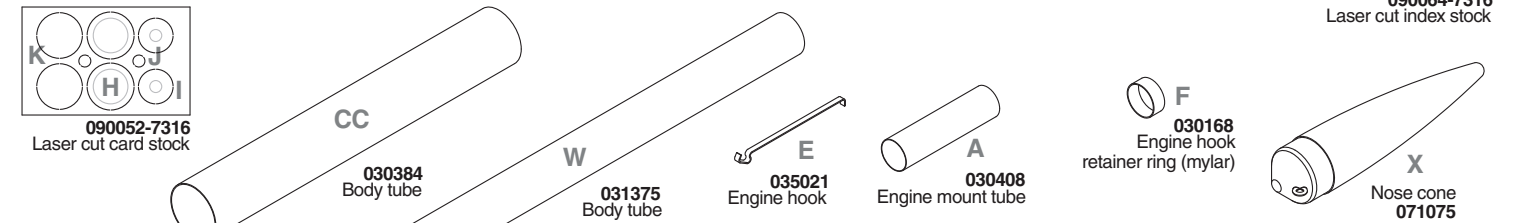
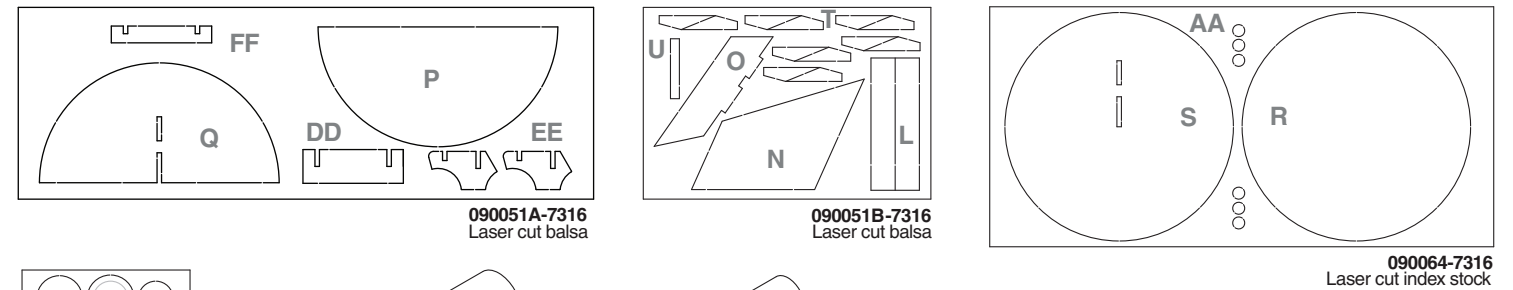
MODEL ROCKET INSTRUCTIONS

KEEP FOR FUTURE REFERENCE

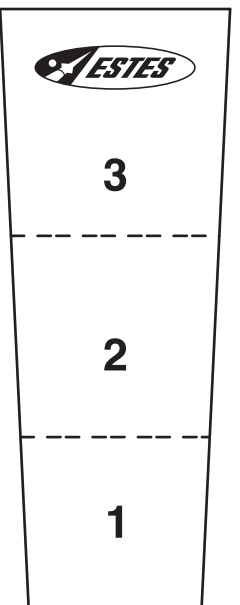
IMPORTANT: Please record date found on decal and keep for future reference. _____

Read all instructions. Make sure you have all parts and supplies. Test fit all parts before applying glue.

SUPPLIES



SHOCK CORD MOUNT
Make a copy if you want to keep instructions.



ASSEMBLE ROUND DISK

- Sand both sides. Carefully remove with hobby knife.
- Apply glue to inside edge of Q and attach to P as shown.
- Apply glue to the underside of R and top of S, attach as shown.
- Center parts S/R over part P/Q.
- Apply weight to top of assembly to ensure it dries flat.

NOTE: Assemble and glue over a flat surface covered with wax paper.

NOTE: Assemble over flat surface.

ASSEMBLE ENGINE MOUNT

- Assemble parts A, B, C, D, E, F.
- Insert part E into part A.
- Apply glue to part F.
- Attach part B to part A.
- Apply glue to part D.
- Attach part C to part A.

2 1/2 in. (6.4 cm)
1 in. (25 mm)
1/4 in. (6 mm)

2 1/2 in. (6.4 cm) Ends Even
1/4 in. (6 mm) 1 in. (25 mm) SIDE VIEW

ASSEMBLE ENGINE PODS

- Carefully remove with hobby knife.
- Attach part J to part I.
- Attach part K to part I.
- Attach part G to part I.
- Use door frame to draw straight line.
- Attach part M to part I.
- Attach part L to part I.
- Attach part G to part I.

NOTE: All disks are centered and glued over each other.

DOOR FRAME
1/4 in. (6 mm)
1/4 in. (6 mm) SIDE VIEW

INSTALL SHOCK CORD

- Cut from page 1.
- Apply glue to part Z.
- Apply glue to part Z.
- Hold until set.
- Apply glue to shock cord mount.
- Glue shock cord mount to the inside of CC.
- Use finger to hold until glue sets.

1 1/2" (3.8 cm) LET DRY

PARACHUTE ATTACHMENT

- Push recovery wadding down towards end of body tube.
- Attach parachute to body tube.
- Attach parachute to body tube.
- Attach parachute to body tube.
- Wrap shroud lines loosely and insert parachute into body tube.
- Insert nose cone into body tube.
- Attach parachute to body tube.

5-6 SQUARES ESTES® RECOVERY WADDING
CC
X

NOTE: Recovery wadding and parachute must slide easily into body tube. If too tight, redo.

PREPARE ENGINE

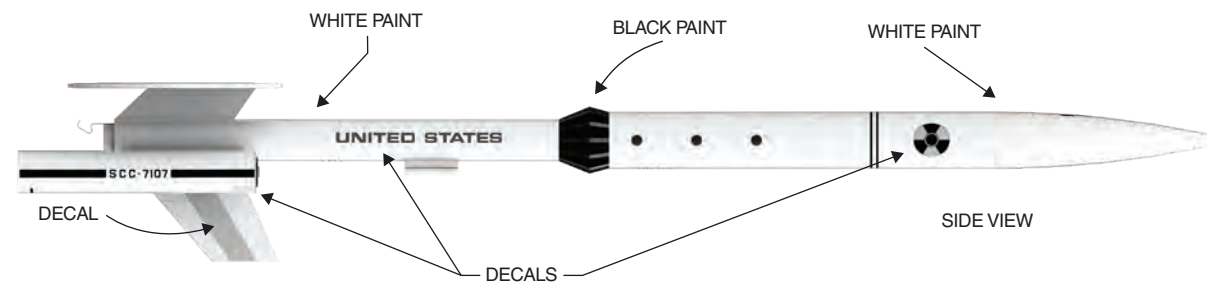
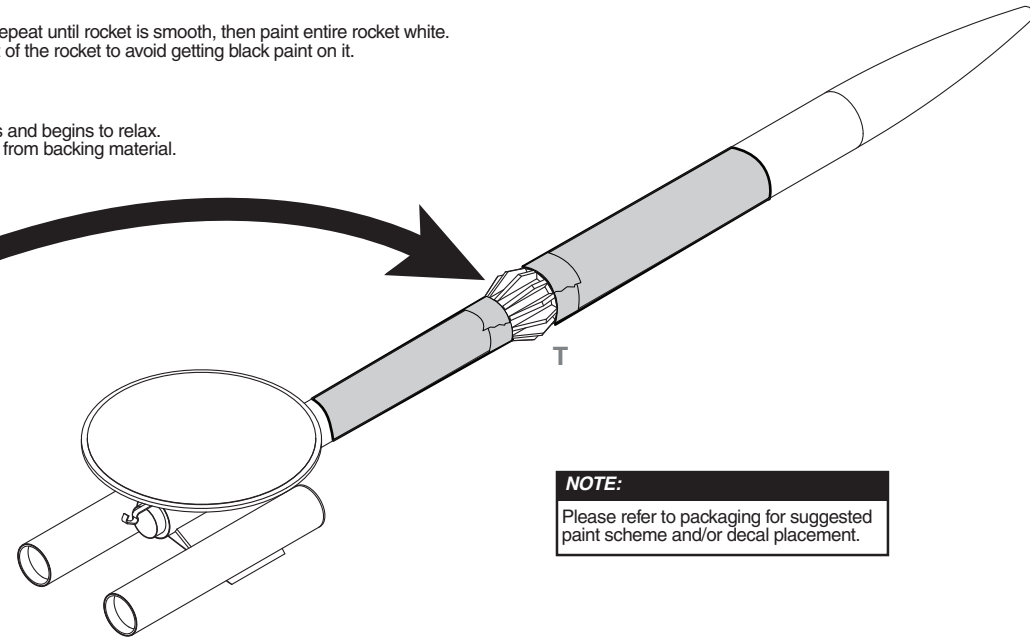
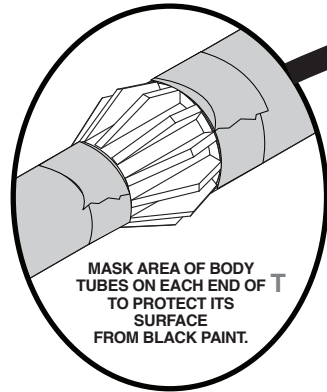
- STARTER PLUG. Use 1 each.
- Insert starter into engine nozzle.
- Insert starter all the way into engine nozzle.
- Attach starter to engine nozzle.
- Attach starter to engine nozzle.
- Attach starter to engine nozzle.

WARNING: FLAMMABLE
To avoid serious injury, read instructions & NAR Safety Code included with engines. PREPARE YOUR ENGINE ONLY WHEN YOU ARE OUTSIDE AT THE LAUNCH SITE PREPARING TO LAUNCH. If you do not use your prepared engine, remove the starter before storing your engine.

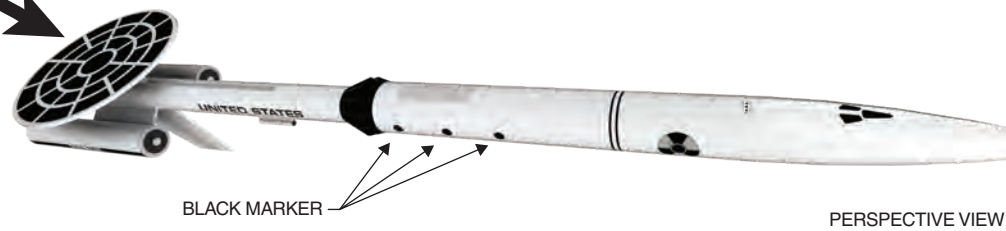
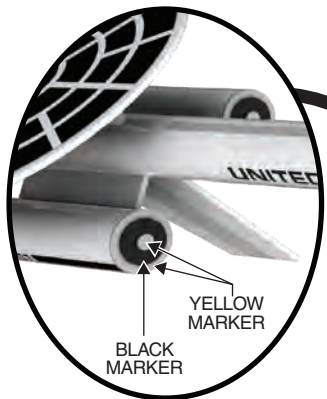
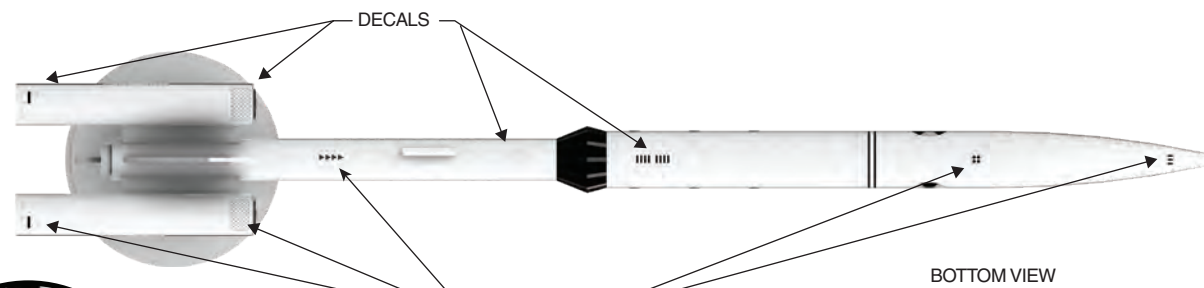
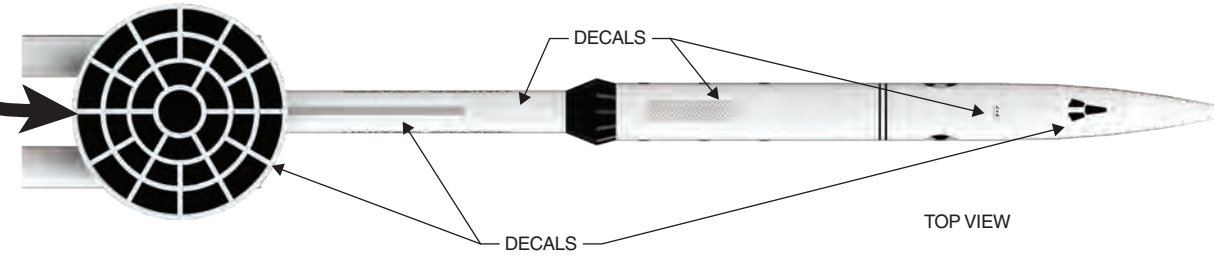
TIP MUST TOUCH PROPELLANT!

ROCKET FINISHING

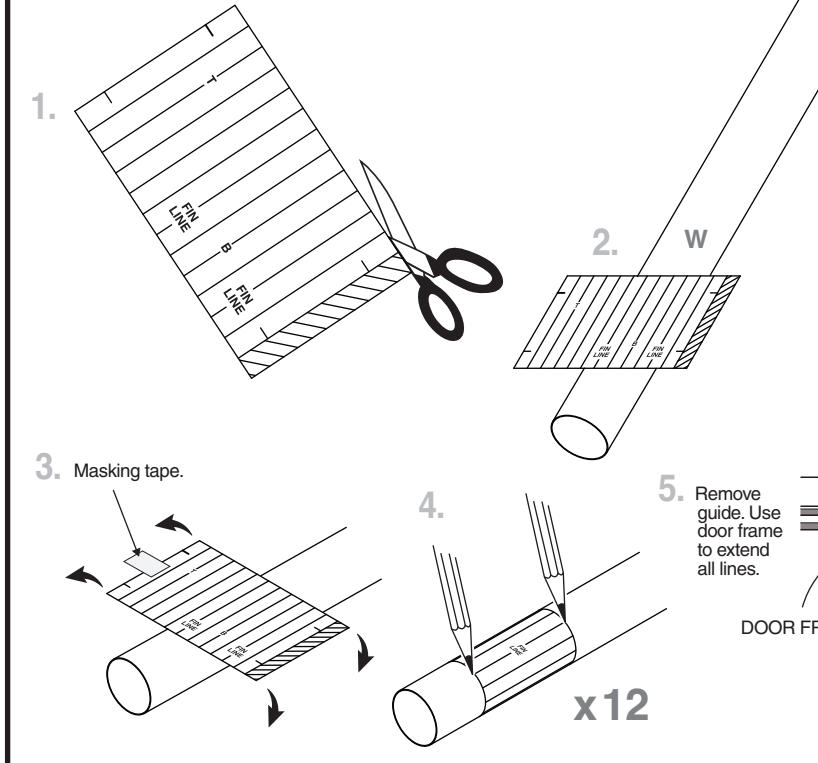
1. Spray rocket with white primer, let dry, and sand. Repeat until rocket is smooth, then paint entire rocket white.
2. Apply painters tape as shown below, cover the rest of the rocket to avoid getting black paint on it.
3. Paint area "T" black and let dry.
4. Remove painters tape and apply decals.
5. Cut decals from sheet, trimming close to edge.
6. One at a time, place in warm water until decal curls and begins to relax.
7. Remove and position on rocket, sliding decal away from backing material.
8. Blot with clean paper towel. Let set overnight.
9. OPTIONAL: Apply protective clear coat.



NOTE:
Large decal: Consider using hobby knife to cut decal into smaller segments for application.

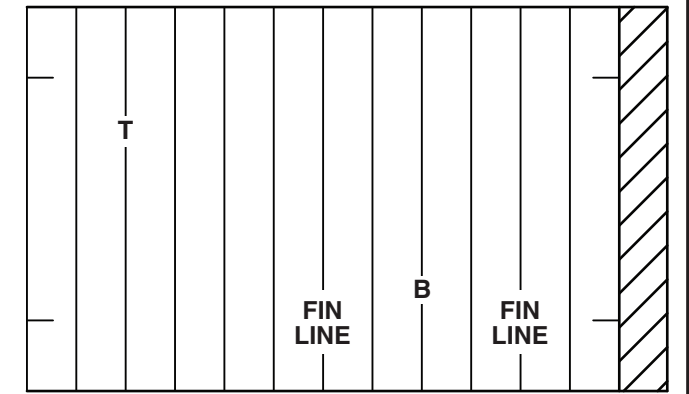


MARK LOWER BODY TUBE



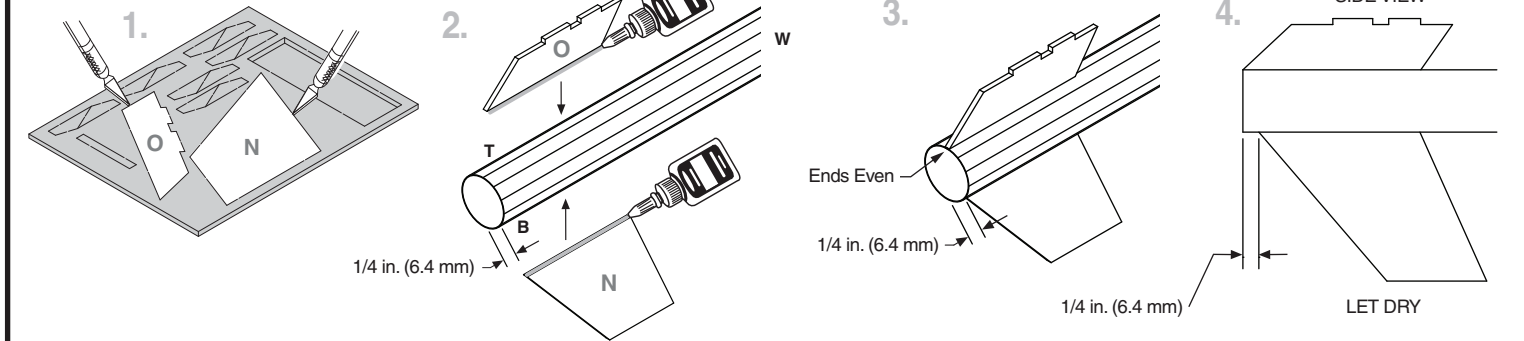
LOWER TUBE MARKING GUIDE

Make a copy if you want to keep instructions.

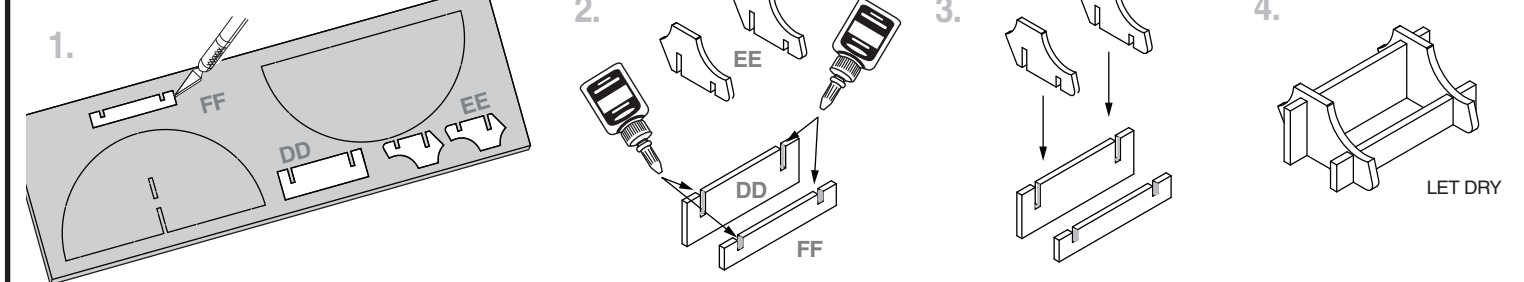


NOTE:
Clearly mark T, B, and Fin Lines on tube.

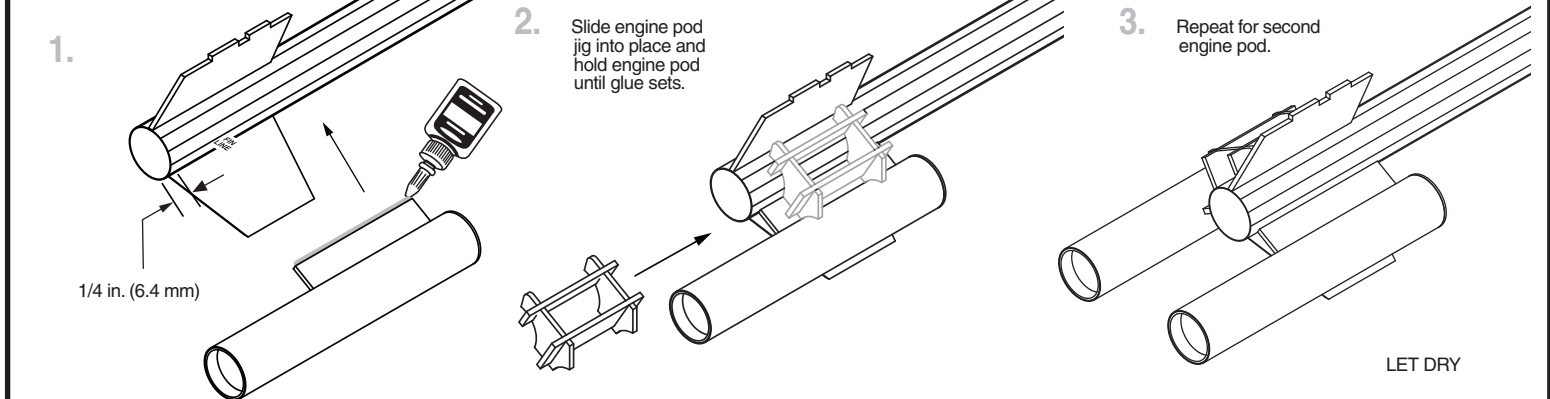
ATTACH FINS



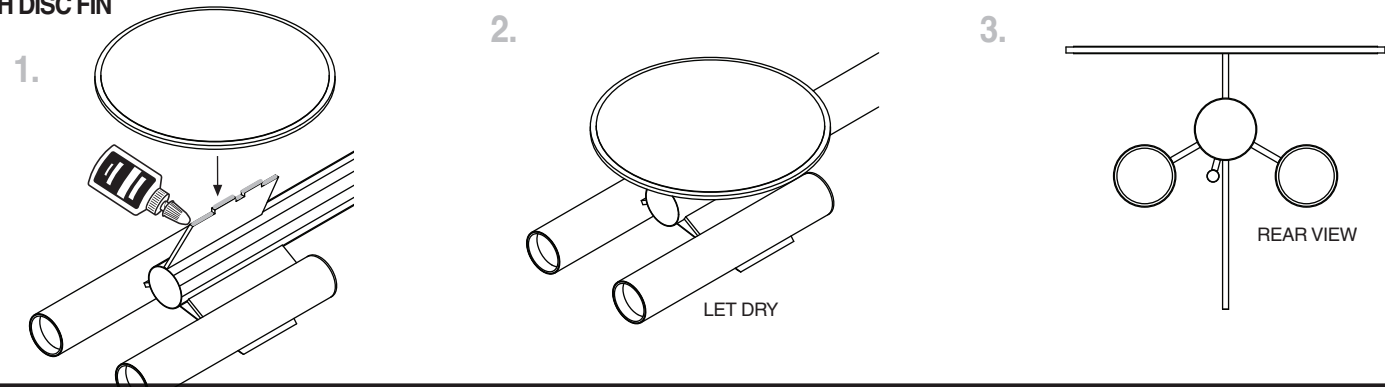
ASSEMBLE ENGINE POD JIG



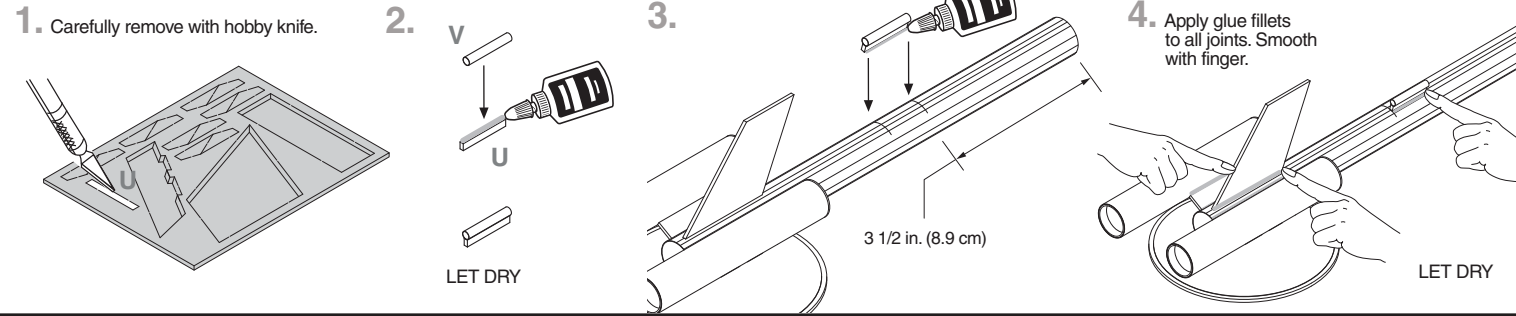
ATTACH ENGINE PODS



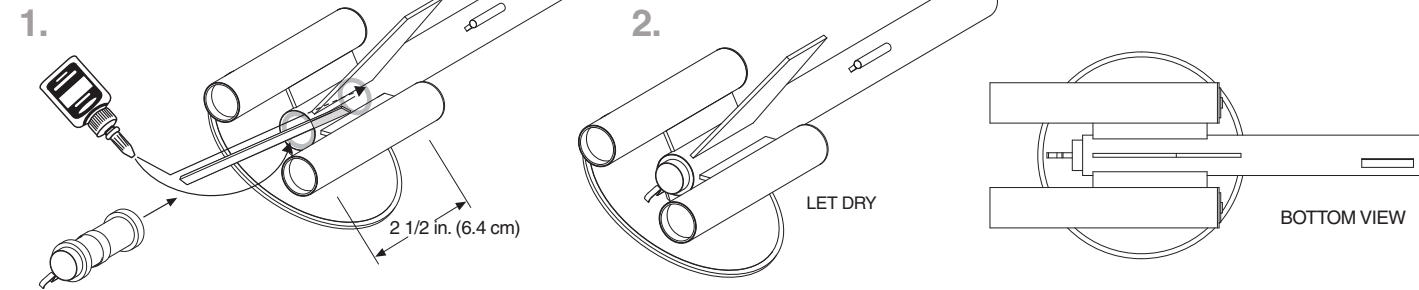
ATTACH DISC FIN



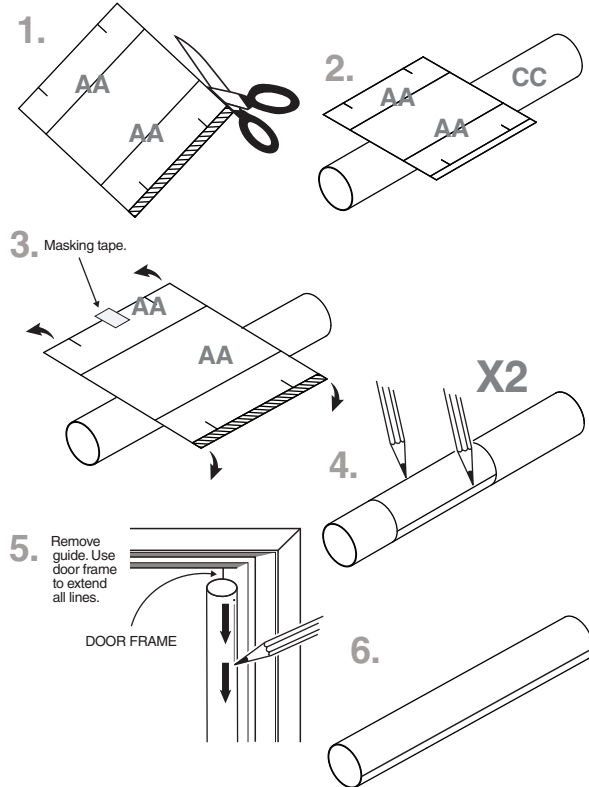
ATTACH LAUNCH LUG



INSTALL ENGINE MOUNT

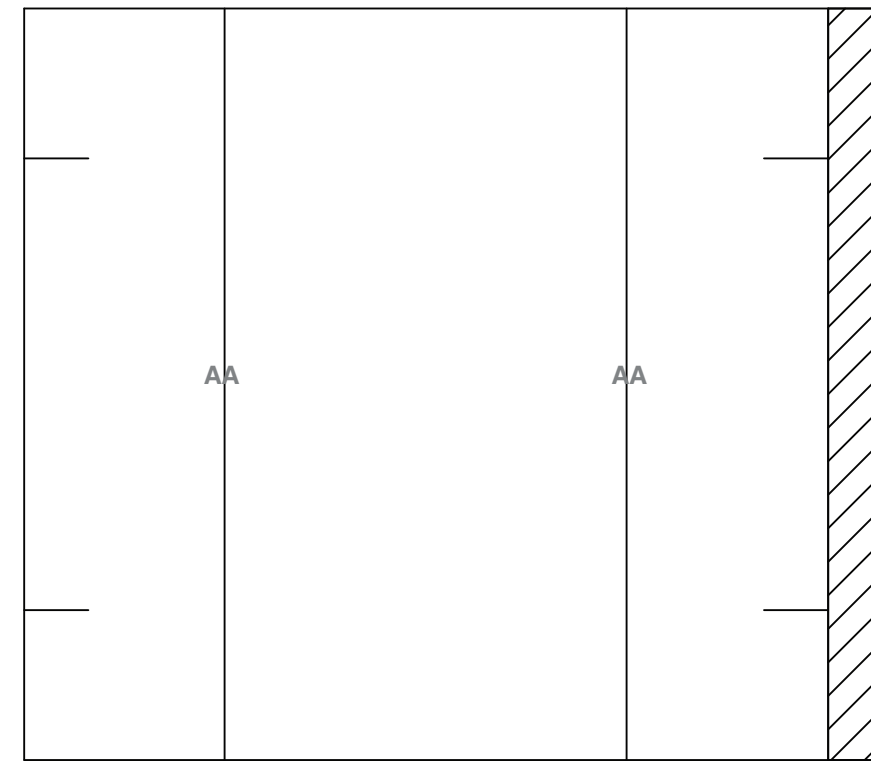


MARK UPPER BODY TUBE



UPPERTUBE MARKING GUIDE

Make a copy if you want to keep instructions.



ATTACH UPERTUBE

