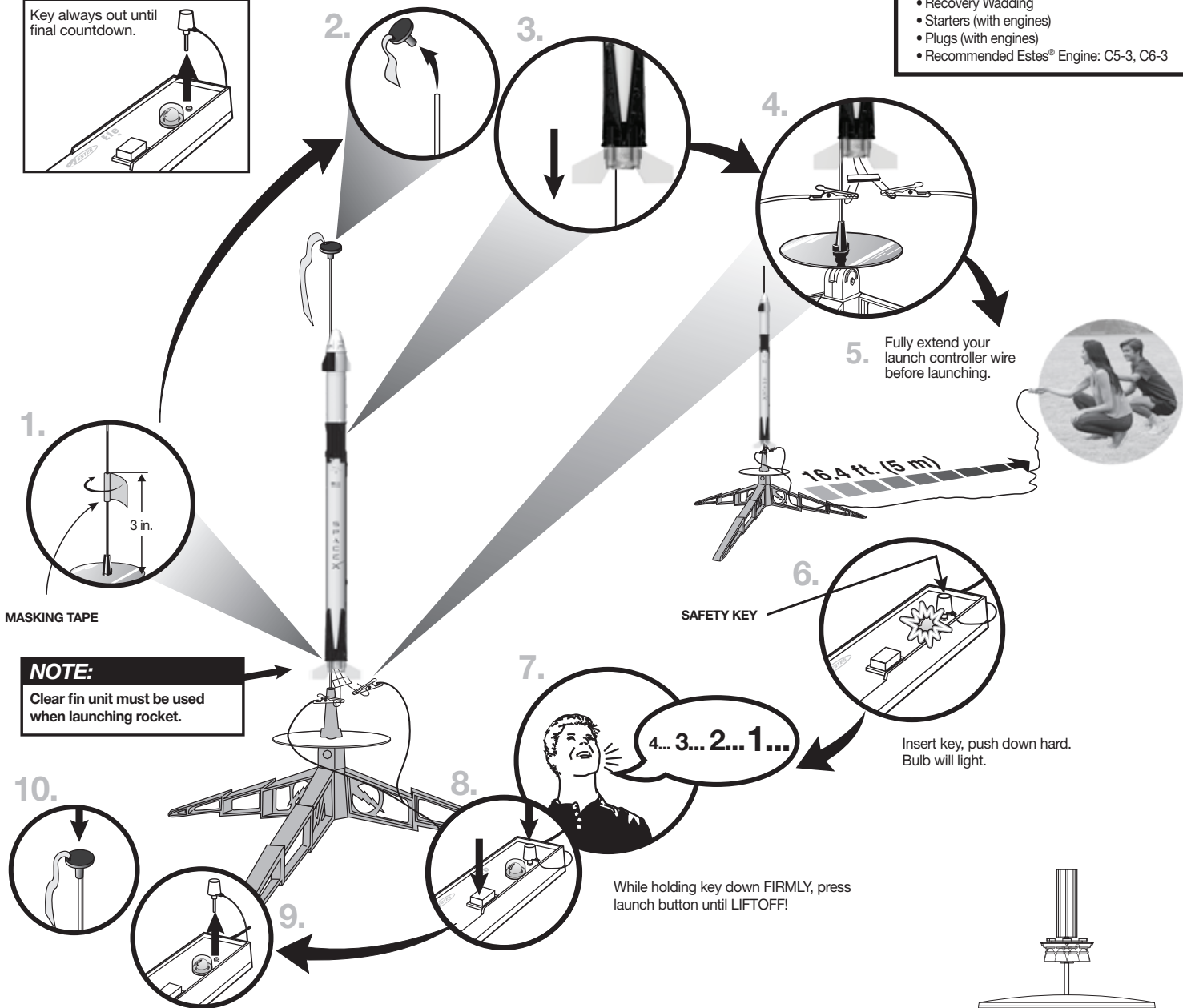
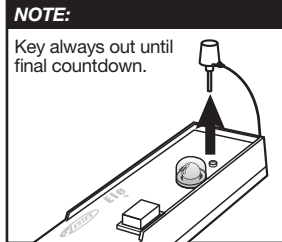


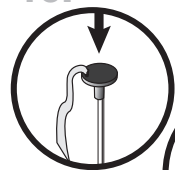
- ESTES LAUNCH SUPPLIES NEEDED**
(Sold Separately)
- Launch Pad
 - Launch Controller
 - Recovery Wadding
 - Starters (with engines)
 - Plugs (with engines)
 - Recommended Estes® Engine: C5-3, C6-3



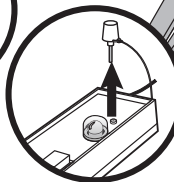
MASKING TAPE

NOTE:
Clear fin unit must be used when launching rocket.

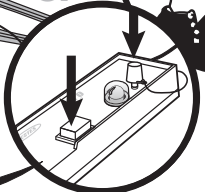
10.



9.



8.



While holding key down FIRMLY, press launch button until LIFTOFF!

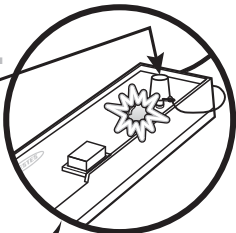
4... 3... 2... 1...

7.



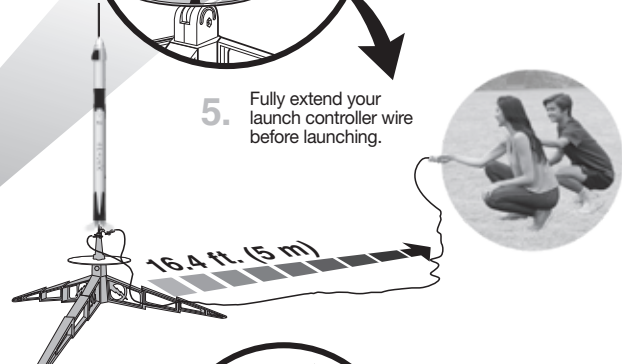
Insert key, push down hard. Bulb will light.

6.

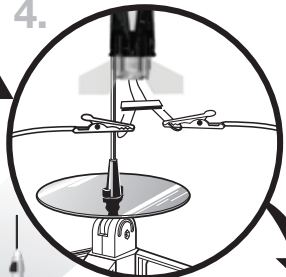


SAFETY KEY

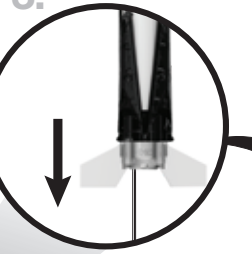
5. Fully extend your launch controller wire before launching.



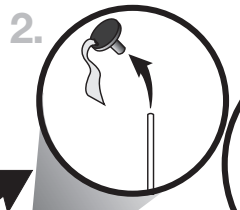
4.



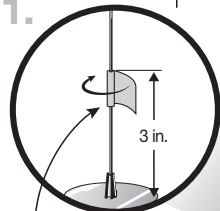
3.



2.



1.



Stand and nozzle included for display purposes only.

NOTE:
May also be launched from 2310 Lifetime Launch System.

NOTE:
Do not launch on paved areas due to risk of damage to rocket.

NOTE:
Estimated weight: 5.4 oz. (153 g)

PRECAUTIONS



NAR SAFETY CODE



NO DRY GRASS OR WEEDS

PRE-LAUNCH CHECK For safety, never launch a damaged rocket. Check the rocket's body, nose cone and fins. Also, check the engine mount, recovery system and launch lug(s). Repair any damage before launching the rocket.

FLYING YOUR ROCKET Choose a large field (500 ft. [152 m] square) free of dry weeds and brown grass. The larger the launch area, the better your chance of recovering your rocket. Football fields and open park areas are great. Launch only with little or no wind and good visibility. Always follow the National Association of Rocketry (NAR) SAFETY CODE.

MISFIRES TAKE THE KEY OUT OF THE CONTROLLER. WAIT ONE MINUTE BEFORE GOING NEAR THE ROCKET. Disconnect the micro-clips and remove the engine. Take the plug and starter out of the engine. A burned starter means the starter tip was not touching engine propellant. Install a new starter; be sure the tip is touching propellant inside the engine. Push the plug in place. Repeat steps under Countdown and Launch.



SPACEX
FALCON 9

1:100 Scale

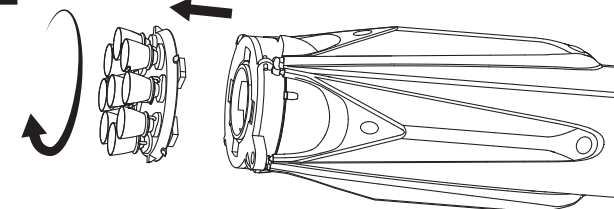
MODEL ROCKET INSTRUCTIONS

KEEP FOR FUTURE REFERENCE

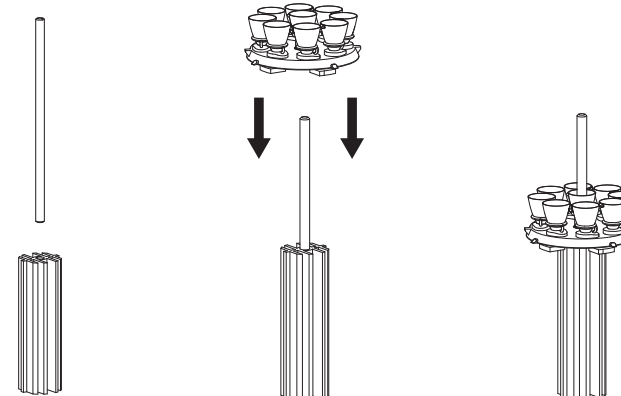
IMPORTANT: Make sure you have all the parts and supplies. Test fit all the parts for assembly. *READ ALL INSTRUCTIONS CAREFULLY.*

DISPLAY SETUP

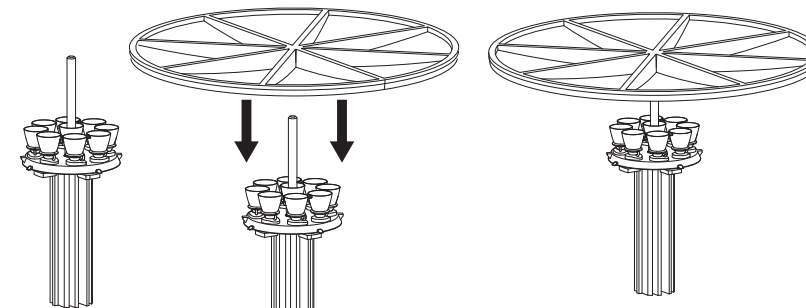
1. Remove display nozzle.



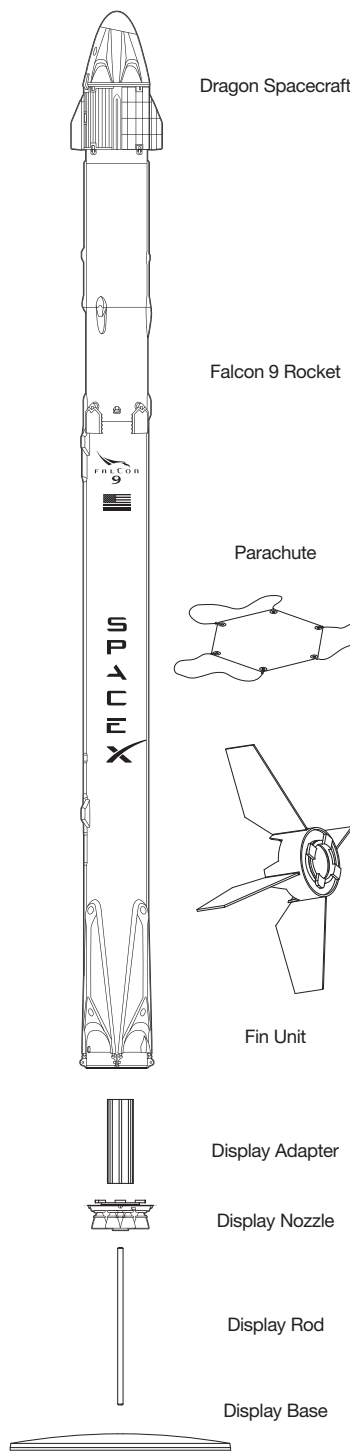
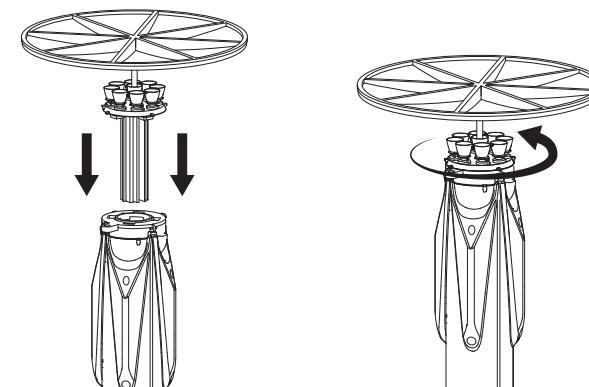
2. Push display rod into display adapter. Push display nozzles onto rod.



3. Push display base onto rod as shown.

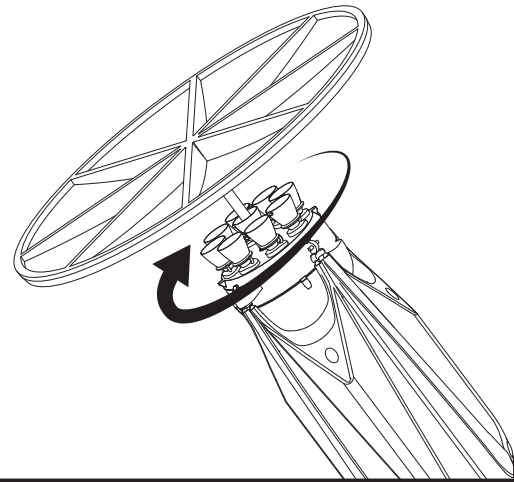


4. Slide assembled display stand into the engine mount and rotate nozzles to lock in place.

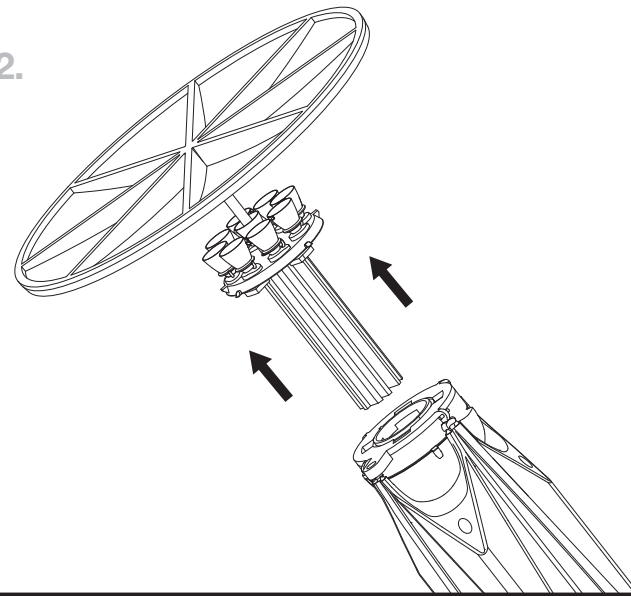


FLIGHT PREPARATION

1. Remove rocket from display nozzles and adapter.

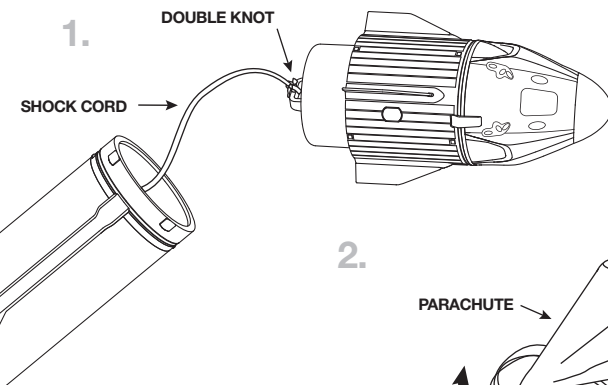


2.

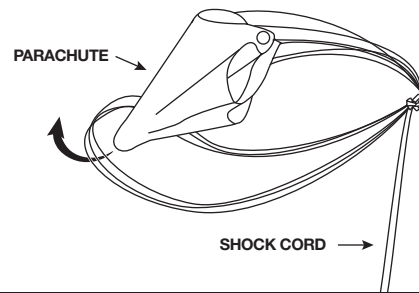


PREPARE RECOVERY SYSTEM

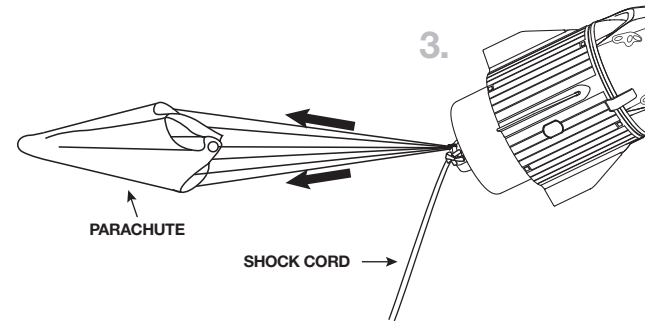
1.



2.

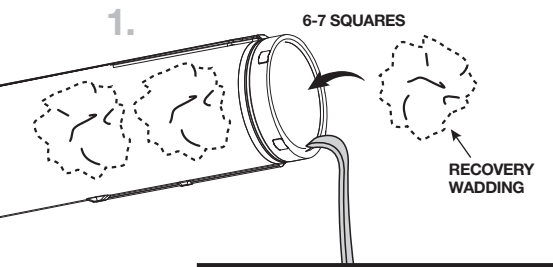


3.



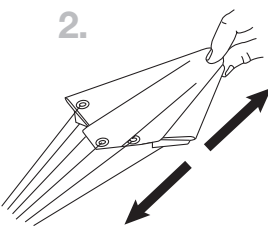
PREPARE FLIGHT RECOVERY

1.

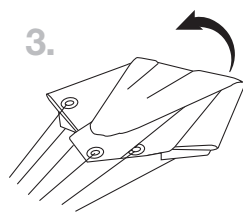


NOTE:
Only Estes® recovery wadding recommended.

2.

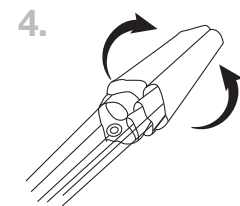


3.

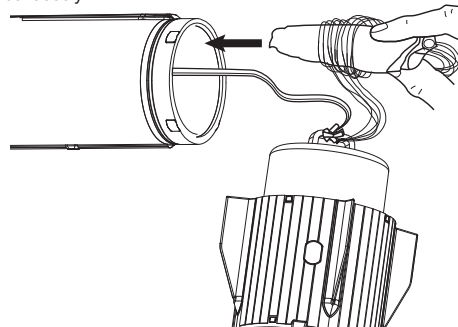


NOTE:
Fold parachute from the top only once and wrap in from sides.
Parachute must be rolled slim enough to easily slide into body tube.

4.



5. Wrap lines loosely.

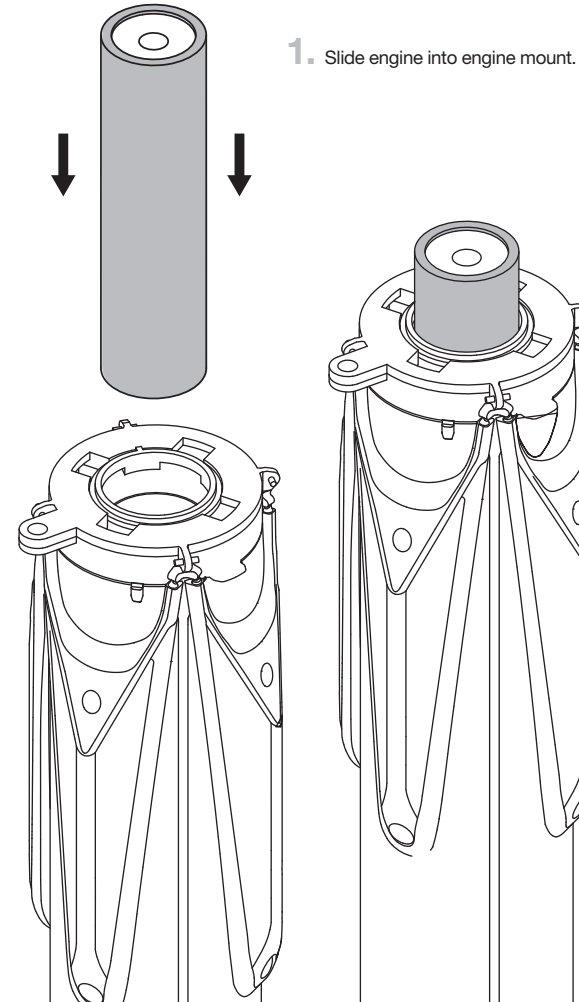


NOTE:

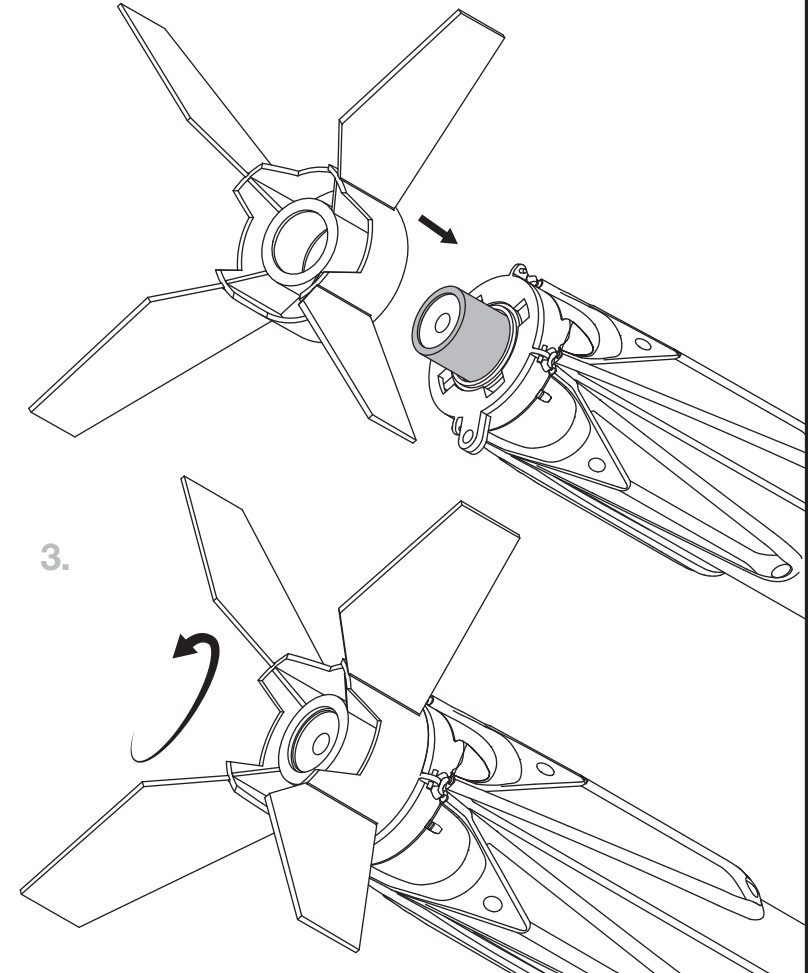
Recovery wadding and parachute must slide easily into body tube. If too tight, redo.

PREPARE ENGINE

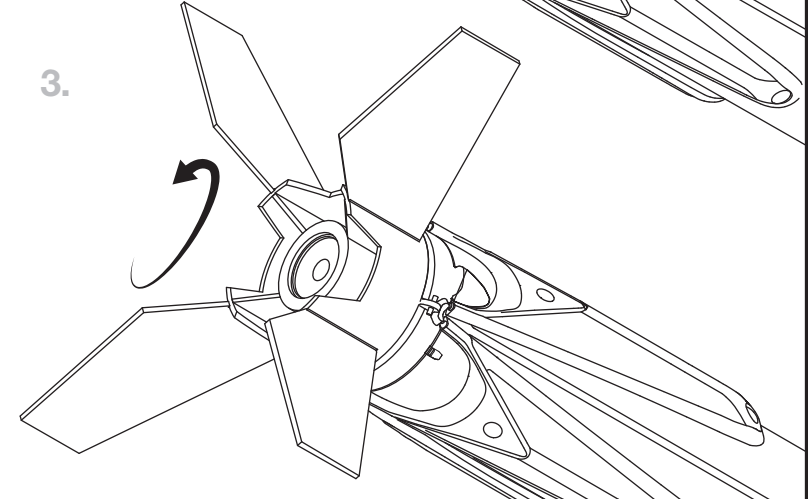
1. Slide engine into engine mount.



2. Slide fin unit onto engine and into rear of model rocket. Rotate fin unit to lock in place.



3.



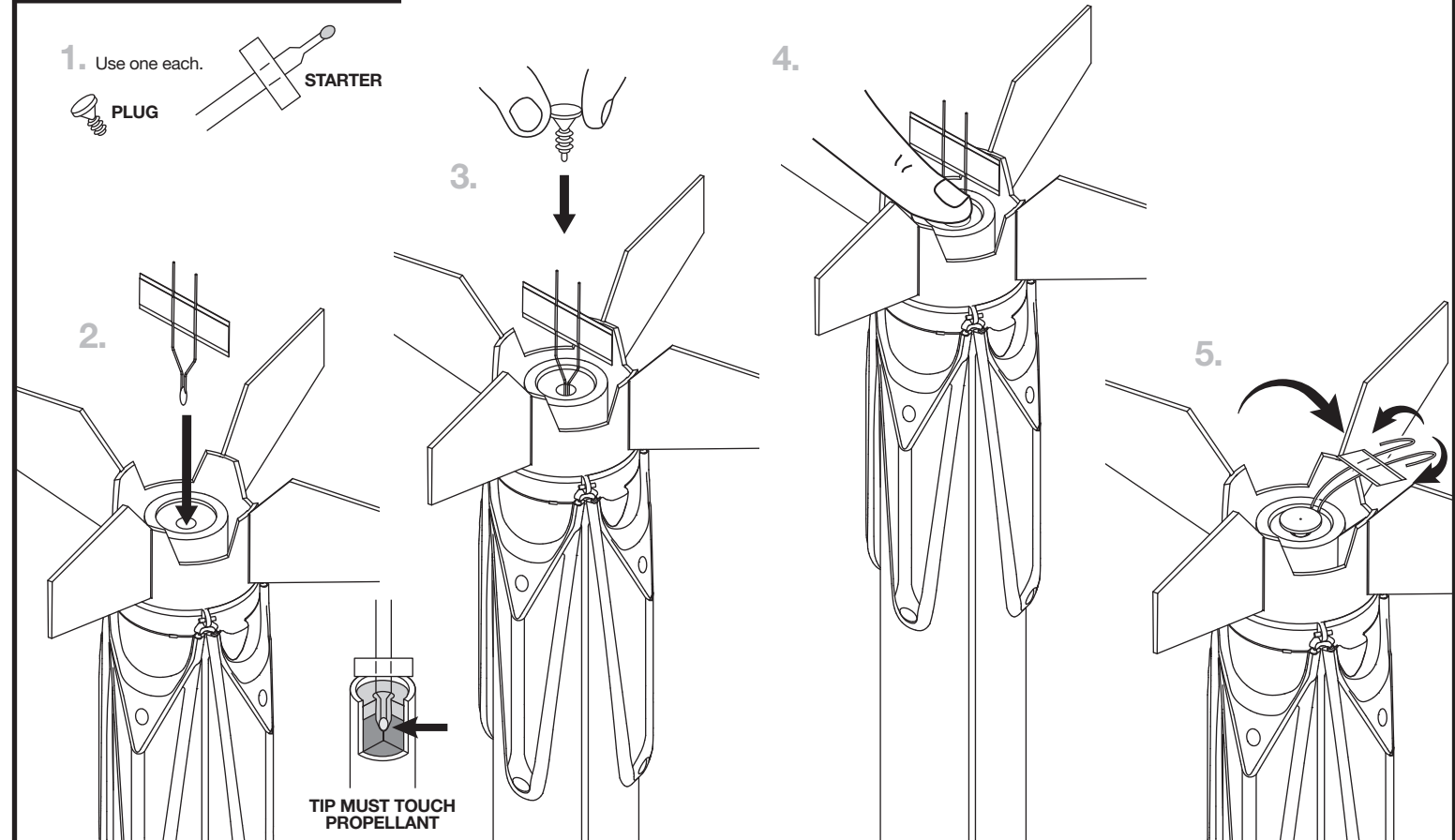
INSERT STARTER AND PLUG

1. Use one each.

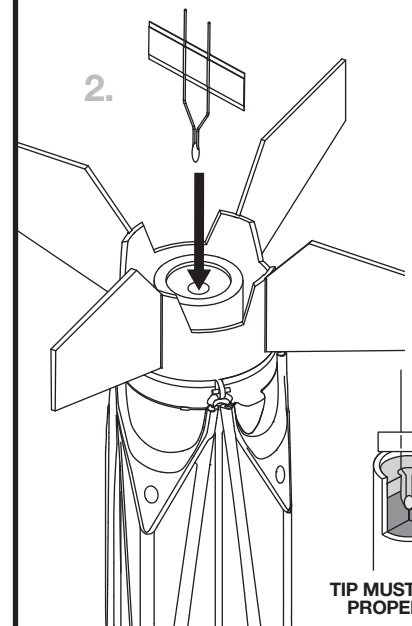
PLUG

STARTER

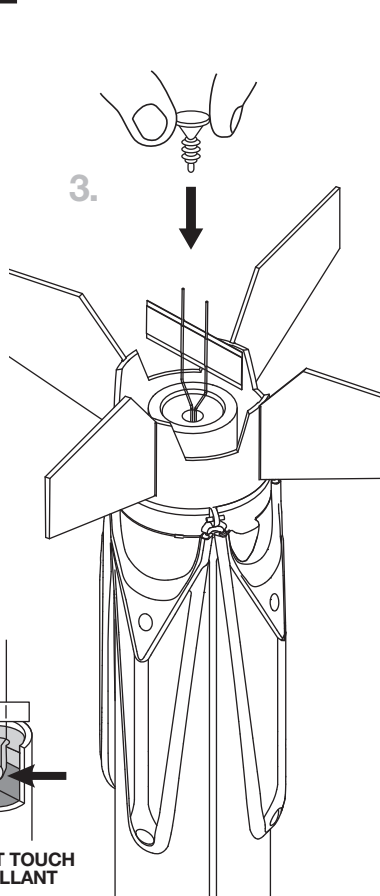
4.



2.



3.



TIP MUST TOUCH PROPELLANT

5.

