

WSZK52SFX850E-49S - WM STAND ZK 52 KAW FX850E ELEC HDAC

Generated: 20/07/2022

This generated parts list may be out of date.

For up-to-date information, please visit <https://parts.wrightmfg.com/>

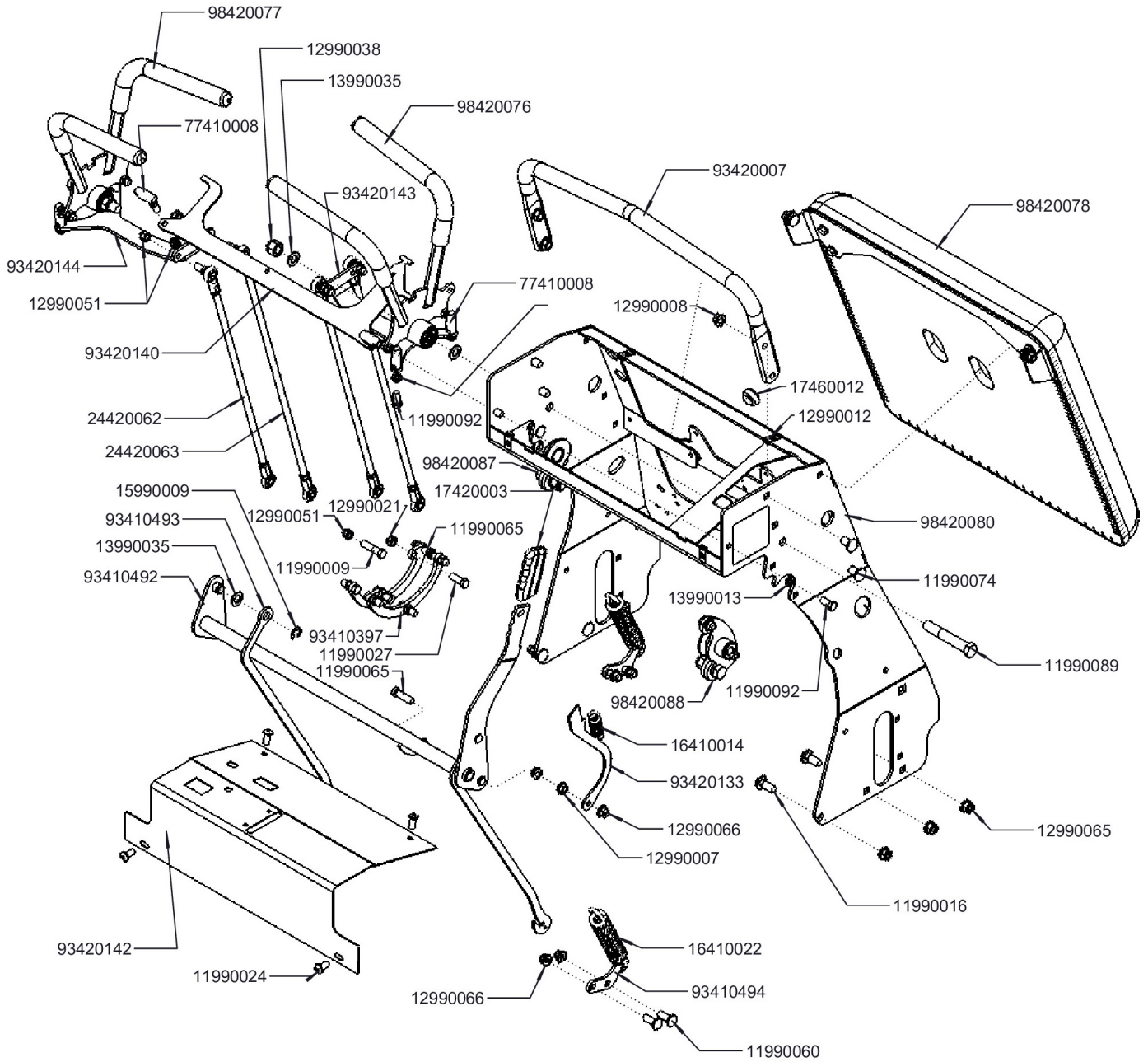



WM STAND ZK 52 KAW FX850E ELEC HDAC WSZK52SFX850E-49S

Reference	Part Number	Description	Quantity	Sellable
	WMI09033	CONSOLE, WSZK	1.00 EA	not sellable
	WMI09046	CONSOLE, WSZK	1.00 EA	not sellable
	WMI09010	REAR DRIVE, 52, ZK	2.00 EA	not sellable
	WMI09030	DECK, 52, ZK	1.00 EA	not sellable
	WMI09044	FUEL, KAW, ZK	1.00 EA	not sellable
	WMI09008	ENGINE, FX850, ZK	1.00 EA	not sellable
	WMI09025	DECAL, ZK	1.00 EA	not sellable
	WMI09043	DECAL, WSZK	1.00 EA	not sellable
	WMI09004	TRACTOR, 52/61, ZK	1.00 EA	not sellable
	WMI09018	ELEC., KAW/KOH, ZK	1.00 EA	not sellable
	WMI09040	HYDRO, ZK	1.00 EA	not sellable
	WMI09047	FUEL, KAW, ZK	1.00 EA	not sellable
	WMI09017	HYDRO, ZK	1.00 EA	not sellable
	WMI09034	ZK, CASTER, 52	1.00 EA	not sellable
	WMI09054	ENGINE, FX850, ELECTRIC, ZK	1.00 EA	not sellable
	WMI09015	FUEL, KAW, ZK	1.00 EA	not sellable
	WMI09038	ZK, ENG. DECK	1.00 EA	not sellable
	WMI09049	CUTTER DECK, 52, WSZK	1.00 EA	not sellable
	WMI09012	CASTER, 52, ZK	1.00 EA	not sellable
	76490007	DECAL, 52IN DECK SIZE	1.00 EA	sellable

WMI09033

CONSOLE, WSZK (not sellable)



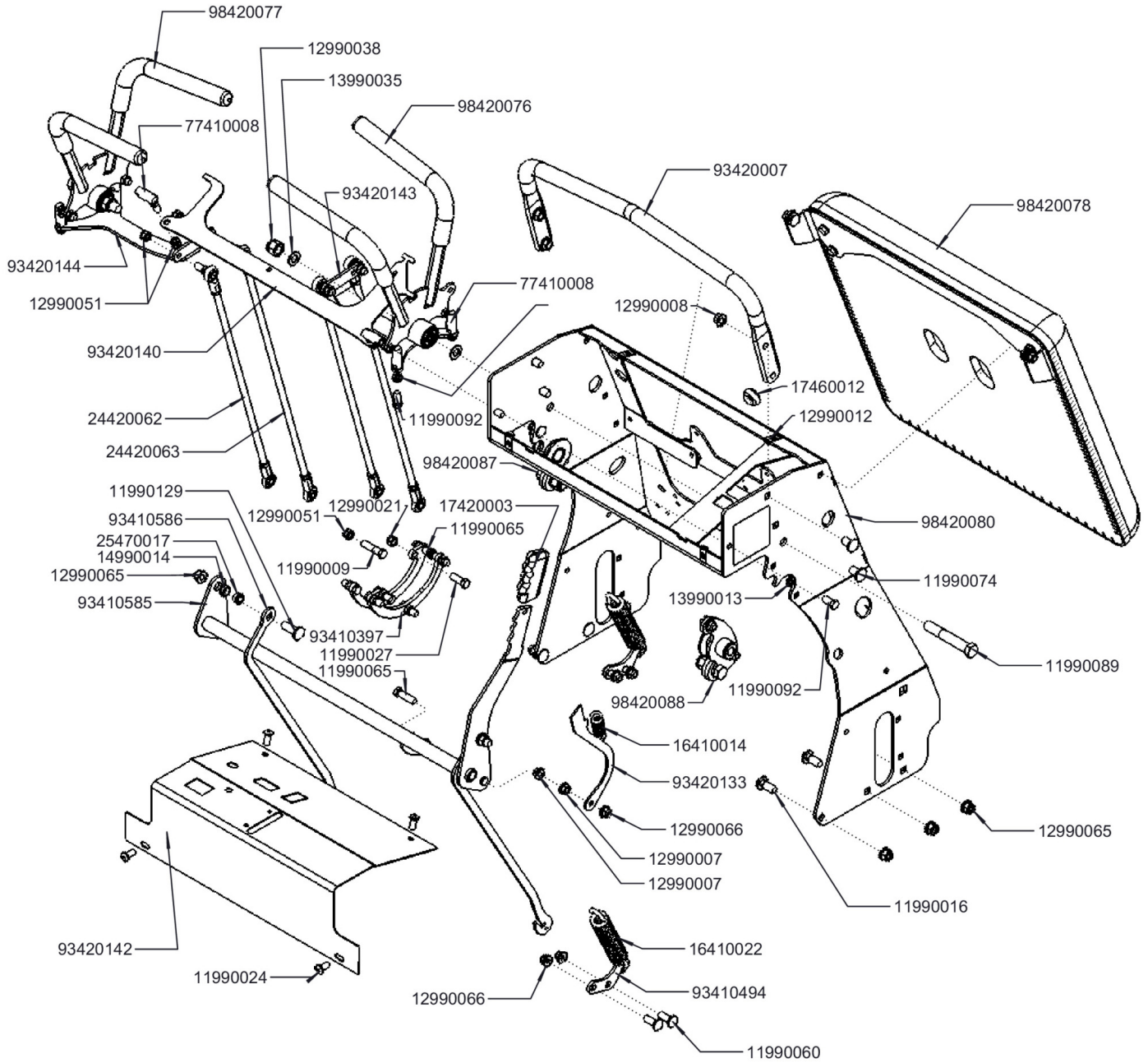
 The information contained in this drawing is the sole property of Wright MFG., INC. Any reproduction in part or whole without the written permission of Wright MFG., INC is prohibited

WMI09033				
CONSOLE, WSZK (not sellable)				
Reference	Part Number	Description	Quantity	Sellable
	11990009	BOLT, HEX 5/16-24 X 1 1/2 Z5	1.00 EA	not sellable
	11990016	BOLT, CARRIAGE 3/8-16 X 1 Z5	6.00 EA	not sellable
	11990024	SCREW, TRUSS HD, PHILIPS 1/4-20 X 3/4 SS	4.00 EA	not sellable
	11990027	BOLT, HEX 5/16-18 X 1 Z5	6.00 EA	not sellable
	11990060	BOLT, CARRIAGE 5/16-18 X 1 Z5	4.00 EA	not sellable
	11990065	BOLT, HEX 5/16-18 X 1 1/4 Z5	3.00 EA	not sellable
	11990074	BOLT, CARRIAGE, SHORT NECK, 3/8-16 X 3/4 Z5	4.00 EA	not sellable
	11990089	BOLT, HEX 1/2-20 X 3 1/2 Z5	2.00 EA	not sellable
	11990092	BOLT, HEX 5/16-24 X 3/4 Z5	6.00 EA	not sellable
	12990007	NUT, FLANGE 5/16-18 Z5	2.00 EA	not sellable
	12990008	NUT, FLANGE 3/8-16 Z5	4.00 EA	not sellable
	12990012	NUT, U, 1/4-20, 11GA	4.00 EA	not sellable
	12990021	NUT, NYLOCK 5/16-18 Z5	8.00 EA	not sellable
	12990038	NUT, NYLOCK 1/2-20 Z5	2.00 EA	not sellable
	12990051	NUT, NYLOCK 5/16-24 Z5	11.00 EA	not sellable
	12990065	NUT, FLANGED NYLOCK, 3/8-16 Z5	6.00 EA	not sellable
	12990066	NUT, FLANGED NYLOCK, 5/16-18 Z5	5.00 EA	not sellable
	13990013	WASHER, LOCK 5/16 Z5	6.00 EA	not sellable
	13990035	MACH BUSH 1/2ID X 7/8OD X 14GA	6.00 EA	not sellable
	15990009	E-CLIP 1/2	2.00 EA	not sellable
	16410014	SPRING, EXTENSION 1/2 X 2	1.00 EA	not sellable
	16410022	SPRING, EXTENSION, 0.148 x 1.0 x 5.39	2.00 EA	not sellable
	17420003	GRIP, BRAKE HANDLE	1.00 EA	not sellable

WMI09033				
CONSOLE, WSZK (not sellable)				
Reference	Part Number	Description	Quantity	Sellable
	17460012	BUMPER, RUBBER, BLACK	2.00 EA	not sellable
	24420062	CONTROL ROD ASSY, FIXED, INCL ROD ENDS & JAM NUTS	2.00 EA	not sellable
	24420063	CONTROL ROD ASSY, REAR, INCL ROD ENDS & JAM NUTS	2.00 EA	not sellable
	77410008	ROD END, 5/16-24	6.00 EA	not sellable
	93410397	RTN SPACER, WSZK	2.00 EA	not sellable
	93410492	BRAKE LEVER WELDMENT, WSZK	1.00 EA	not sellable
	93410493	7GA, BRAKE HANGAR HOOK, WSZK	2.00 EA	not sellable
	93410494	7GA, BRAKE ARM LEVER, WSZK	2.00 EA	not sellable
	93420007	STATIONARY HANDLEBAR	1.00 EA	not sellable
	93420133	CONTROL LOCK RELEASE BAR, WSZK	1.00 EA	not sellable
	93420140	CONTROL LEVER LOCK	1.00 EA	not sellable
	93420143	CNTRL TORSION PLATE, LEFT, WSZK	1.00 EA	not sellable
	93420144	CNTRL TORSION PLATE, RIGHT, WSZK	1.00 EA	not sellable
	98420076	CONTROL LEVER ASSEMBLY, LEFT, WSZK	1.00 EA	not sellable
	98420077	CONTROL LEVER ASSEMBLY, RIGHT, WSZK	1.00 EA	not sellable
	98420078	UPRIGHT PAD ASSY, WSZK	1.00 EA	not sellable
	98420079	INSTRUMENT PANEL SERVICE ASSEMBLY, WSZK	1.00 EA	not sellable
	98420080	UPRIGHT SERVICE ASSY, WSZK	1.00 EA	not sellable
	98420087	BRAKE BRACKET ASSY, RT, WSZK	1.00 EA	not sellable
	98420088	BRAKE BRACKET ASSY, LT, WSZK	1.00 EA	not sellable

WMI09046

CONSOLE, WSZK (not sellable)



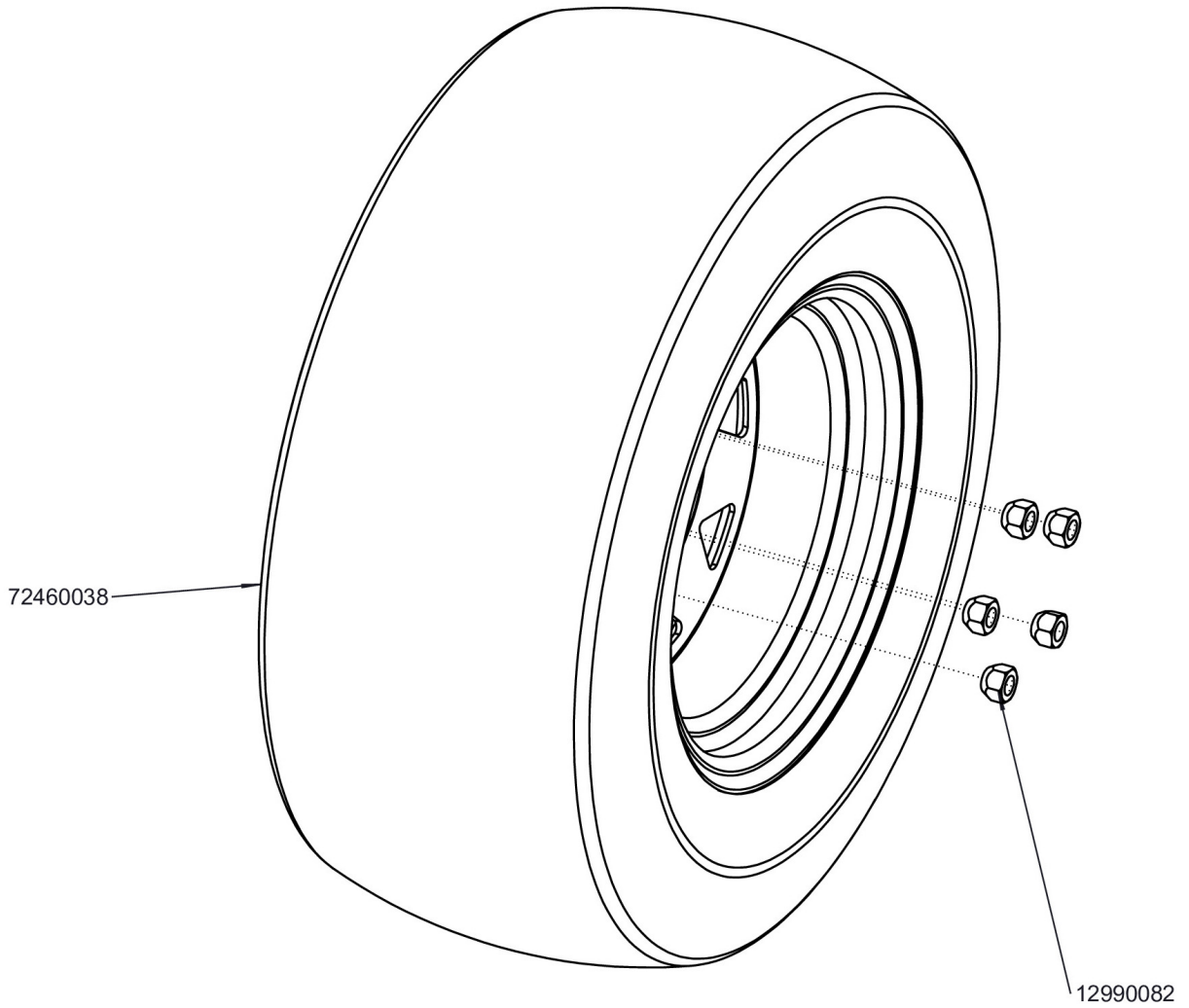
 The Information contained in this drawing is the sole property of Wright MFG., INC. Any Reproduction in part or whole without the written permission of Wright MFG., INC is prohibited

WMI09046				
CONSOLE, WSZK (not sellable)				
Reference	Part Number	Description	Quantity	Sellable
	11990009	BOLT, HEX 5/16-24 X 1 1/2 Z5	1.00 EA	not sellable
	11990016	BOLT, CARRIAGE 3/8-16 X 1 Z5	6.00 EA	not sellable
	11990024	SCREW, TRUSS HD, PHILIPS 1/4-20 X 3/4 SS	4.00 EA	not sellable
	11990027	BOLT, HEX 5/16-18 X 1 Z5	6.00 EA	not sellable
	11990060	BOLT, CARRIAGE 5/16-18 X 1 Z5	4.00 EA	not sellable
	11990065	BOLT, HEX 5/16-18 X 1 1/4 Z5	3.00 EA	not sellable
	11990074	BOLT, CARRIAGE, SHORT NECK, 3/8-16 X 3/4 Z5	4.00 EA	not sellable
	11990089	BOLT, HEX 1/2-20 X 3 1/2 Z5	2.00 EA	not sellable
	11990092	BOLT, HEX 5/16-24 X 3/4 Z5	6.00 EA	not sellable
	11990129	BOLT, CARRIAGE 3/8-16 X 1 1/4 Z5	2.00 EA	not sellable
	12990007	NUT, FLANGE 5/16-18 Z5	2.00 EA	not sellable
	12990008	NUT, FLANGE 3/8-16 Z5	4.00 EA	not sellable
	12990012	NUT, U, 1/4-20, 11GA	4.00 EA	not sellable
	12990021	NUT, NYLOCK 5/16-18 Z5	8.00 EA	not sellable
	12990038	NUT, NYLOCK 1/2-20 Z5	2.00 EA	not sellable
	12990051	NUT, NYLOCK 5/16-24 Z5	11.00 EA	not sellable
	12990065	NUT, FLANGED NYLOCK, 3/8-16 Z5	8.00 EA	not sellable
	12990066	NUT, FLANGED NYLOCK, 5/16-18 Z5	5.00 EA	not sellable
	13990013	WASHER, LOCK 5/16 Z5	6.00 EA	not sellable
	13990035	MACH BUSH 1/2ID X 7/8OD X 14GA	4.00 EA	not sellable
	14990014	BUSHING, IGUS, CLIP, 1/2 X .25	2.00 EA	not sellable
	16410014	SPRING, EXTENSION 1/2 X 2	1.00 EA	not sellable
	16410022	SPRING, EXTENSION, 0.148 x 1.0 x 5.39	2.00 EA	not sellable

WMI09046				
CONSOLE, WSZK (not sellable)				
Reference	Part Number	Description	Quantity	Sellable
	17420003	GRIP, BRAKE HANDLE	1.00 EA	not sellable
	17460012	BUMPER, RUBBER, BLACK	2.00 EA	not sellable
	24420062	CONTROL ROD ASSY, FIXED, INCL ROD ENDS & JAM NUTS	2.00 EA	not sellable
	24420063	CONTROL ROD ASSY, REAR, INCL ROD ENDS & JAM NUTS	2.00 EA	not sellable
	25470017	PM, SS, STEPPED SPACER, 0.5 X 0.39 x 0.055	2.00 EA	not sellable
	77410008	ROD END, 5/16-24	6.00 EA	not sellable
	93410397	RTN SPACER, WSZK	2.00 EA	not sellable
	93410494	7GA, BRAKE ARM LEVER, WSZK	2.00 EA	not sellable
	93410585	BRAKE LEVER WELDMENT, WSZK	1.00 EA	not sellable
	93410586	7GA BRAKE HANGER HOOK, WSZK	2.00 EA	not sellable
	93420007	STATIONARY HANDLEBAR	1.00 EA	not sellable
	93420133	CONTROL LOCK RELEASE BAR, WSZK	1.00 EA	not sellable
	93420140	CONTROL LEVER LOCK	1.00 EA	not sellable
	93420142	INSTRUMENT PANEL, WSZK	1.00 EA	not sellable
	93420143	CNTRL TORSION PLATE, LEFT, WSZK	1.00 EA	not sellable
	93420144	CNTRL TORSION PLATE, RIGHT, WSZK	1.00 EA	not sellable
	98420076	CONTROL LEVER ASSEMBLY, LEFT, WSZK	1.00 EA	not sellable
	98420077	CONTROL LEVER ASSEMBLY, RIGHT, WSZK	1.00 EA	not sellable
	98420078	UPRIGHT PAD ASSY, WSZK	1.00 EA	not sellable
	98420080	UPRIGHT SERVICE ASSY, WSZK	1.00 EA	not sellable
	98420087	BRAKE BRACKET ASSY, RT, WSZK	1.00 EA	not sellable
	98420088	BRAKE BRACKET ASSY, LT, WSZK	1.00 EA	not sellable

WMI09010

REAR DRIVE, 52, ZK (not sellable)

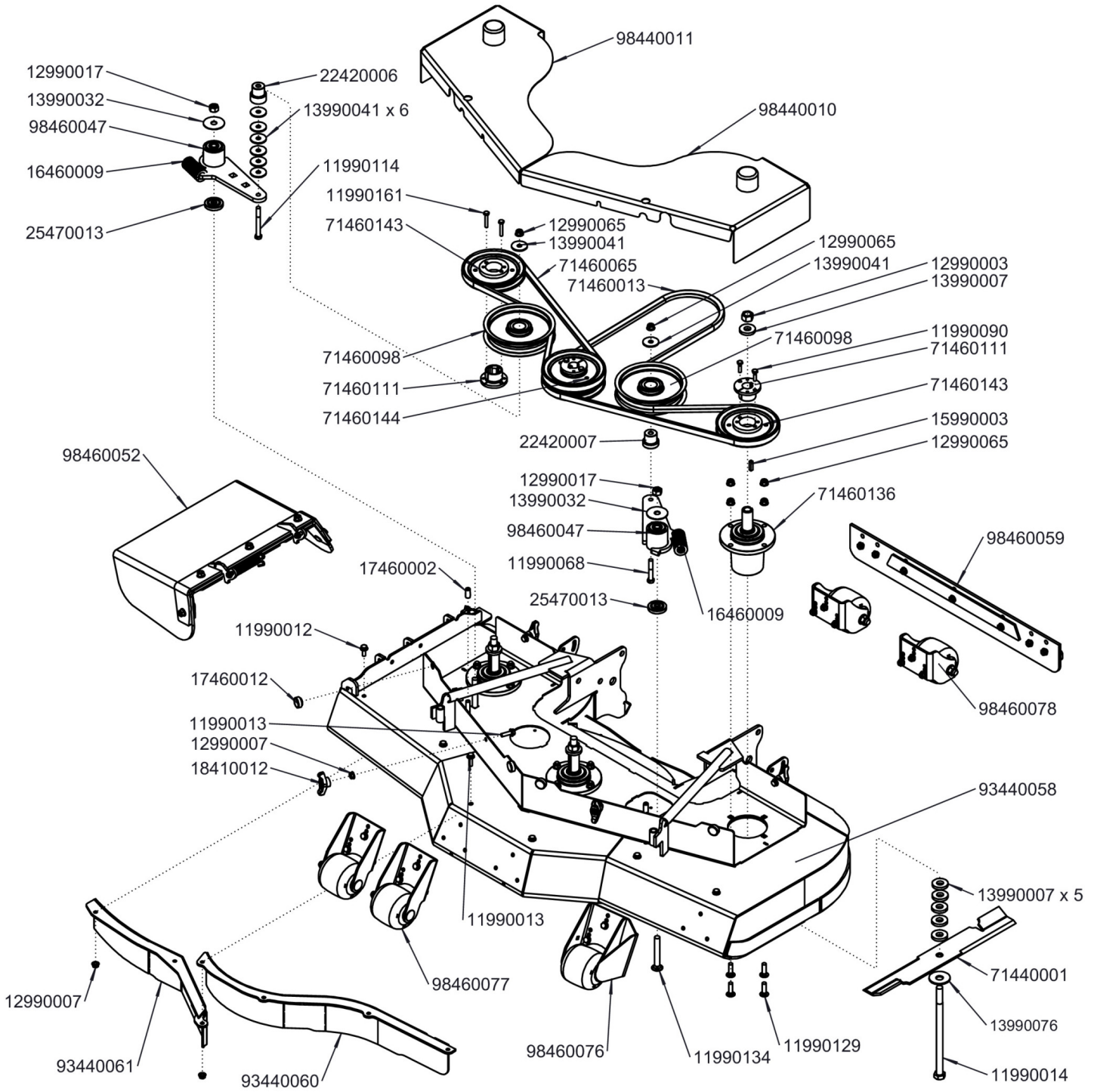


The information contained in this drawing is the sole property of Wright MFG., INC. Any reproduction in part or whole without the written permission of Wright MFG., INC is prohibited

WMI09010				
REAR DRIVE, 52, ZK (not sellable)				
Reference	Part Number	Description	Quantity	Sellable
	12990082	NUT, LUG, 1/2-20	5.00 EA	not sellable
	72460038	WHL ASSY, 23 X 10.5 -12, CST	1.00 EA	not sellable

WMI09030

DECK, 52, ZK (not sellable)



 The Information contained in this drawing is the sole property of Wright MFG., INC. Any Reproduction in part or whole without the written permission of Wright MFG., INC is prohibited

WMI09030				
DECK, 52, ZK (not sellable)				
Reference	Part Number	Description	Quantity	Sellable
	11990012	BOLT, FLANGE 5/16-18 X 3/4 Z5	4.00 EA	not sellable
	11990013	BOLT, FLANGE 5/16-18 X 1 Z5	6.00 EA	not sellable
	11990014	BOLT, HEX 5/8-11 X 10 Z5	3.00 EA	not sellable
	11990068	BOLT, HEX 3/8-16 X 2 1/4 Z5	1.00 EA	not sellable
	11990090	BOLT, HEX, 1/4-20X1 P8	4.00 EA	not sellable
	11990114	BOLT, HEX 3/8-16 X 3 1/4 Z5	1.00 EA	not sellable
	11990129	BOLT, CARRIAGE 3/8-16 X 1 1/4 Z5	12.00 EA	not sellable
	11990134	BOLT, CARRIAGE 1/2-13 X3 1/2 Z5	2.00 EA	not sellable
	11990161	BOLT, HEX, FULL THREADED 1/4-20 X 1 1/2 P8	2.00 EA	not sellable
	12990003	NUT, HEX, 5/8-11 Z5	3.00 EA	not sellable
	12990007	NUT, FLANGE 5/16-18 Z5	10.00 EA	not sellable
	12990017	NUT, HEX, CENTERLOCK 1/2-13NC	2.00 EA	not sellable
	12990065	NUT, FLANGED NYLOCK, 3/8-16 Z5	14.00 EA	not sellable
	13990007	BLADE SPACER, 5/8 X 1/4	18.00 EA	not sellable
	13990032	WASHER 1/2 X 2 X 0.062 Z5	2.00 EA	not sellable
	13990041	WASHER 3/8 X 1 1/2 X 0.15 Z5	8.00 EA	not sellable
	13990076	WASHER, BELLEVILLE, .692 X 2.0 OD X 0.125	3.00 EA	not sellable
	15990003	MACHINE KEY 1/4 X 1/4 X 1	3.00 EA	not sellable
	16460009	SPRING, DIE, 2.5	2.00 EA	not sellable
	17460002	CAP, VINYL 3/8 X 1	2.00 EA	not sellable
	17460012	BUMPER, RUBBER, BLACK	4.00 EA	not sellable
	18410012	KNOB, PLASTIC, T	4.00 EA	not sellable
	22420006	BORE ADAPTER, 30MM	1.00 EA	not sellable
	22420007	BORE ADAPTER 30 MM X 1.319 L	1.00 EA	not sellable
	25470013	IDLER ARM MOUNTING SPACER	2.00 EA	not sellable
	71440001	BLADE, 18	3.00 EA	not sellable
	71460013	BELT, WRAPPED, B SECTION 88.04 EL	1.00 EA	not sellable
	71460065	BELT, WRAPPED, B SECTION 57.04 EL	1.00 EA	not sellable
	71460098	PULLEY, FLAT IDLER, 6 X 1 1/8	2.00 EA	not sellable
	71460111	BUSHING, H, SPLIT TAPERED, MODIFIED, 1	3.00 EA	not sellable
	71460136	SPINDLE ASSY, THRU BOLT	3.00 EA	not sellable
	71460143	PULLEY, SINGLE SPLIT, B, H BUSH X 6	2.00 EA	not sellable
	71460144	PULLEY, DOUBLE SPLIT, B, H BUSH X 6, 1IN SPACING	1.00 EA	not sellable
	93440058	DECK, AERO CORE WELDMENT, 52	1.00 EA	not sellable
	93440060	FRONT BAFFLE, 52 AERO-CORE, TRIM	1.00 EA	not sellable
	93440061	FRONT BAFFLE, 52 AERO-CORE, DISCHARGE	1.00 EA	not sellable
	98440010	DECK COVER, ASSEMBLY, LEFT, 52	1.00 EA	not sellable
	98440011	DECK COVER, ASSEMBLY, RIGHT, 52	1.00 EA	not sellable

WMI09030				
DECK, 52, ZK (not sellable)				
Reference	Part Number	Description	Quantity	Sellable
	98460047	IDLER ARM ASSY, LEFT	2.00 EA	not sellable
	98460052	FLEXIBLE CHUTE DEFLECTOR ASSEMBLY	1.00 EA	not sellable
	98460059	ADD-ON, STRIPING KIT, 48/52 AERO-CORE	1.00 EA	not sellable
	98460076	ANTISCALP ASSEMBLY, TRIM	1.00 EA	not sellable
	98460077	ANTISCALP ASSEMBLY, FRONT	2.00 EA	not sellable
	98460078	ANTISCALP ASSEMBLY, REAR	2.00 EA	not sellable

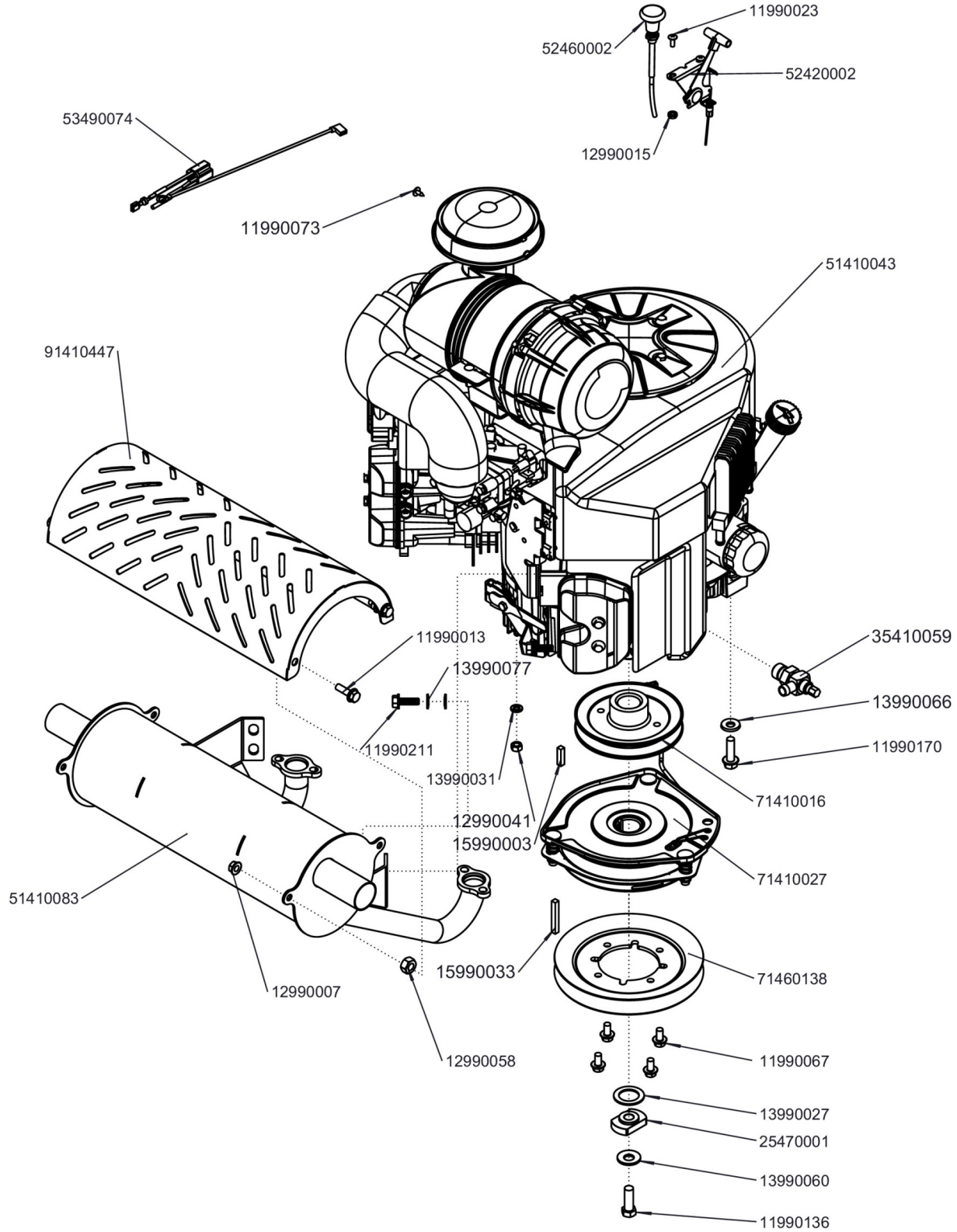
WMI09044				
FUEL, KAW, ZK (not sellable)				
Reference	Part Number	Description	Quantity	Sellable
	11990016	BOLT, CARRIAGE 3/8-16 X 1 Z5	4.00 EA	not sellable
	11990024	SCREW, TRUSS HD, PHILIPS 1/4-20 X 3/4 SS	11.00 EA	not sellable
	11990046	BOLT, FLANGE, SERRATED 3/8-16 X 1 Z8	9.00 EA	not sellable
	11990059	BOLT, CARRIAGE 5/16-18 X 3/4 Z5	2.00 EA	not sellable
	11990112	BOLT, FLANGE 3/8-16 X 1 1/4 Z8	1.00 EA	not sellable
	11990123	BOLT, CARRIAGE 3/8-16 X 2 1/2 Z5	8.00 EA	not sellable
	12990012	NUT, U, 1/4-20, 11GA	11.00 EA	not sellable
	12990065	NUT, FLANGED NYLOCK, 3/8-16 Z5	12.00 EA	not sellable
	12990066	NUT, FLANGED NYLOCK, 5/16-18 Z5	2.00 EA	not sellable
	13990002	WASHER, FLAT, USS 7/16 Z5	10.00 EA	not sellable
	13990059	WASHER, NEOPRENE 40D 0.5 X 1.375 X 0.375	11.00 EA	not sellable
	15990002	CLIP, HALF 5/8	2.00 EA	not sellable
	15990014	CABLE TIE, 11IN	15.00 EA	not sellable
	15990039	CLIP, VINYL COATED 3/8 OD	7.00 EA	not sellable
	15990042	CLAMP, LOOP W VINYL COAT 1/2 OD, 1/2 WIDE	3.00 EA	not sellable
	15990049	CLIP, FULL, 1 1/4	1.00 EA	not sellable
	15990050	LOOM, SPIRAL WRAP, 1/2, PER FT	6.00 IN	not sellable
	17470002	GROMMET, 0.688 X 1.00 X 0.250	3.00 EA	not sellable
	17470003	GROMMET, 1.0 X 1.375 X 0.1875	3.00 EA	not sellable
	34490006	FUEL FILTER, EVAP	1.00 EA	not sellable
	35410002	FITTING, TEE .25 BARB BLK NYLON	1.00 EA	not sellable
	35410067	FITTING, TEE 3/16 BARBED	2.00 EA	not sellable
	41410017	VALVE, IN LINE FUEL	1.00 EA	not sellable
	41410035	FUEL, CHECK VALVE, 1/4	2.00 EA	not sellable
	41410043	FUEL TANK ASSY, LEFT LOW PERM, BOTTOM, WSZK	1.00 EA	not sellable
	41410044	FUEL TANK ASSY, RIGHT LOW PERM, BOTTOM, WSZK	1.00 EA	not sellable
	42420002	HOSE, FUEL 1/4 ID LOW PERM, PER FT	18.50 IN	not sellable
	42420002	HOSE, FUEL 1/4 ID LOW PERM, PER FT	8.50 IN	not sellable
	42420002	HOSE, FUEL 1/4 ID LOW PERM, PER FT	18.50 IN	not sellable
	42420002	HOSE, FUEL 1/4 ID LOW PERM, PER FT	32.00 IN	not sellable
	42420002	HOSE, FUEL 1/4 ID LOW PERM, PER FT	13.00 IN	not sellable
	42420004	HOSE, FUEL 3/16 ID NOT LOW PERM, PER FT	23.00 IN	not sellable
	42420004	HOSE, FUEL 3/16 ID NOT LOW PERM, PER FT	22.00 IN	not sellable
	42420004	HOSE, FUEL 3/16 ID NOT LOW PERM, PER FT	6.00 IN	not sellable
	42420004	HOSE, FUEL 3/16 ID NOT LOW PERM, PER FT	12.00 IN	not sellable
	42420004	HOSE, FUEL 3/16 ID NOT LOW PERM, PER FT	62.00 IN	not sellable
	43410001	HOSE CLAMP, 1/4	12.00 EA	not sellable
	43410004	HOSE, EAR CLAMP, 3/16	1.00 EA	not sellable


WMI09044**FUEL, KAW, ZK (not sellable)**

Reference	Part Number	Description	Quantity	Sellable
	91410075	FUEL TANK GUARD, WSZK	1.00 EA	not sellable
	93410402	FUEL TANK SUPPORT, FRONT LT, WSZK	1.00 EA	not sellable
	93410403	FUEL TANK SUPPORT, FRONT RT, WSZK	1.00 EA	not sellable
	93410404	FUEL TANK SUPPORT, REAR LT, WSZK	1.00 EA	not sellable
	93410405	FUEL TANK SUPPORT, REAR RT, WSZK	1.00 EA	not sellable

WMI09008

ENGINE, FX850, ZK (not sellable)



 The Information contained in this drawing is the sole property of Wright MFG., INC. Any Reproduction in part or whole without the written permission of Wright MFG., INC is prohibited

WMI09008				
ENGINE, FX850, ZK (not sellable)				
Reference	Part Number	Description	Quantity	Sellable
	11990013	BOLT, FLANGE 5/16-18 X 1 Z5	4.00 EA	not sellable
	11990023	SCREW, TRUSS HD, PHILIPS 10-32 X 1/2 Z	2.00 EA	not sellable
	11990067	BOLT, FLANGE M8-1.25 X 16mm Z10.9	4.00 EA	not sellable
	11990073	SCREW, PAN HD, PHILIPS #8 X 1/2 Z	2.00 EA	not sellable
	11990136	BOLT, HEX 7/16-20 X 1 1/4 Z5	1.00 EA	not sellable
	11990170	BOLT, FLANGE, SMOOTH 3/8-16 X 1 1/4 ZB8	4.00 EA	not sellable
	11990211	BOLT, HEX, M8-1.25 X 25	4.00 EA	not sellable
	12990007	NUT, FLANGE 5/16-18 Z5	4.00 EA	not sellable
	12990015	NUT, KEP 10-32 Z	2.00 EA	not sellable
	12990041	NUT, HEX, M8-1.25 SS	1.00 EA	not sellable
	12990058	NUT, HEX 3/8-16 Z2 HEAVY	4.00 EA	not sellable
	13990027	MACH BUSH 1 X 1 1/2 X 14GA	1.00 EA	not sellable
	13990031	WASHER, LOCK, M8 SS	1.00 EA	not sellable
	13990060	WASHER, SPRING, 1.142OD X .512	1.00 EA	not sellable
	13990066	WASHER, SPRING, 0.945 OD X 0.413 X 0.118 X 0.146	4.00 EA	not sellable
	13990077	WASHER, BELLEVILLE, M8 X .70 OD X .05	8.00 EA	not sellable
	15990003	MACHINE KEY 1/4 X 1/4 X 1	1.00 EA	not sellable
	15990033	MACHINE KEY 1/4 X 1/4 X 1 7/8	1.00 EA	not sellable
	25470001	SPACER, CLUTCH, UNIVERSAL	1.00 EA	not sellable
	35410059	OIL DRAIN VALVE M20 X 2.5 THD	1.00 EA	not sellable
	51410043	ENGINE, FX850E	1.00 EA	not sellable
	51410083	MUFFLER, KAW, 801 & 850 HORZ HIGH MOUNT	1.00 EA	not sellable
	52420002	THROTTLE CABLE	1.00 EA	not sellable
	52460002	CHOKE CABLE	1.00 EA	not sellable
	53490074	PIGTAIL, ENG., KAWASAKI, ELEC. WITH CHARGE	1.00 EA	not sellable
	71410016	PULLEY, 5-1/4 OD X A/B GRV X 1.125 ENG	1.00 EA	not sellable
	71410027	CLUTCH, 1.125, OGURA GT3.5	1.00 EA	not sellable
	71460138	PULLEY, 6.75 X B GRV CLUTCH	1.00 EA	not sellable
	91410447	HEAT SHIELD, HIGH MOUNT, FX850 KAW	1.00 EA	not sellable

WMI09025

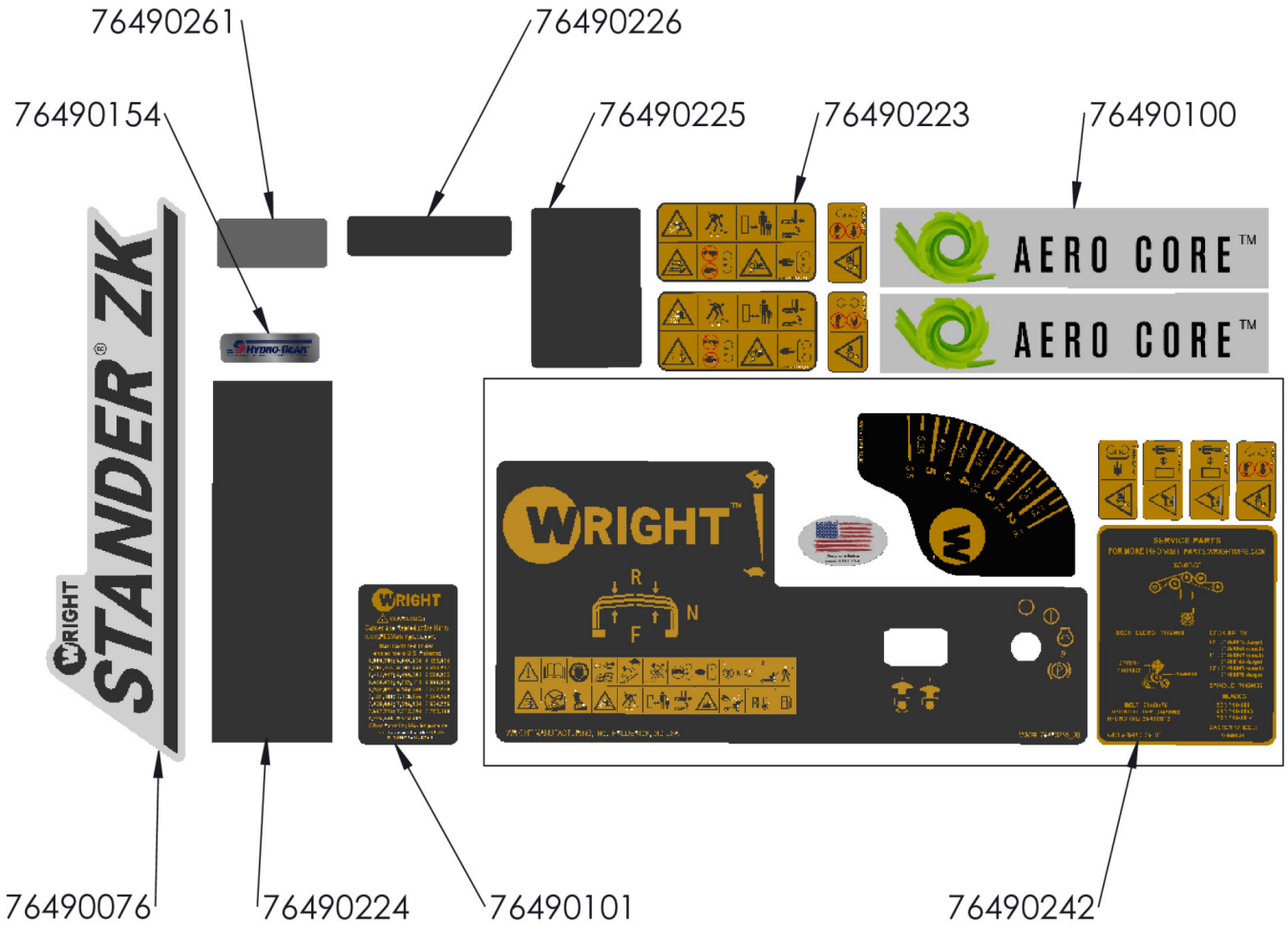
DECAL, ZK (not sellable)

**Image
Not
Available**

WMI09025				
DECAL, ZK (not sellable)				
Reference	Part Number	Description	Quantity	Sellable
	76490154	DECAL, HYDRO GEAR	1.00 EA	not sellable
	76490169	DECAL, SUB-KIT WHT VINYL 2 TANKS 3 BLADES	1.00 EA	not sellable
	76490180	DECAL, MASTER KIT WSZK	1.00 EA	not sellable
	76490224	DECAL, SERIAL LABEL, 3 X 8.79	1.00 EA	not sellable
	76490225	DECAL,UV SERIAL LAMINATE 2.75 X 4	1.00 EA	not sellable
	76490226	THERMAL RESIN RIBBON, BLACK, 4.10IN, SERIAL	12.00 IN	not sellable

WMI09043

DECAL, WSZK (not sellable)

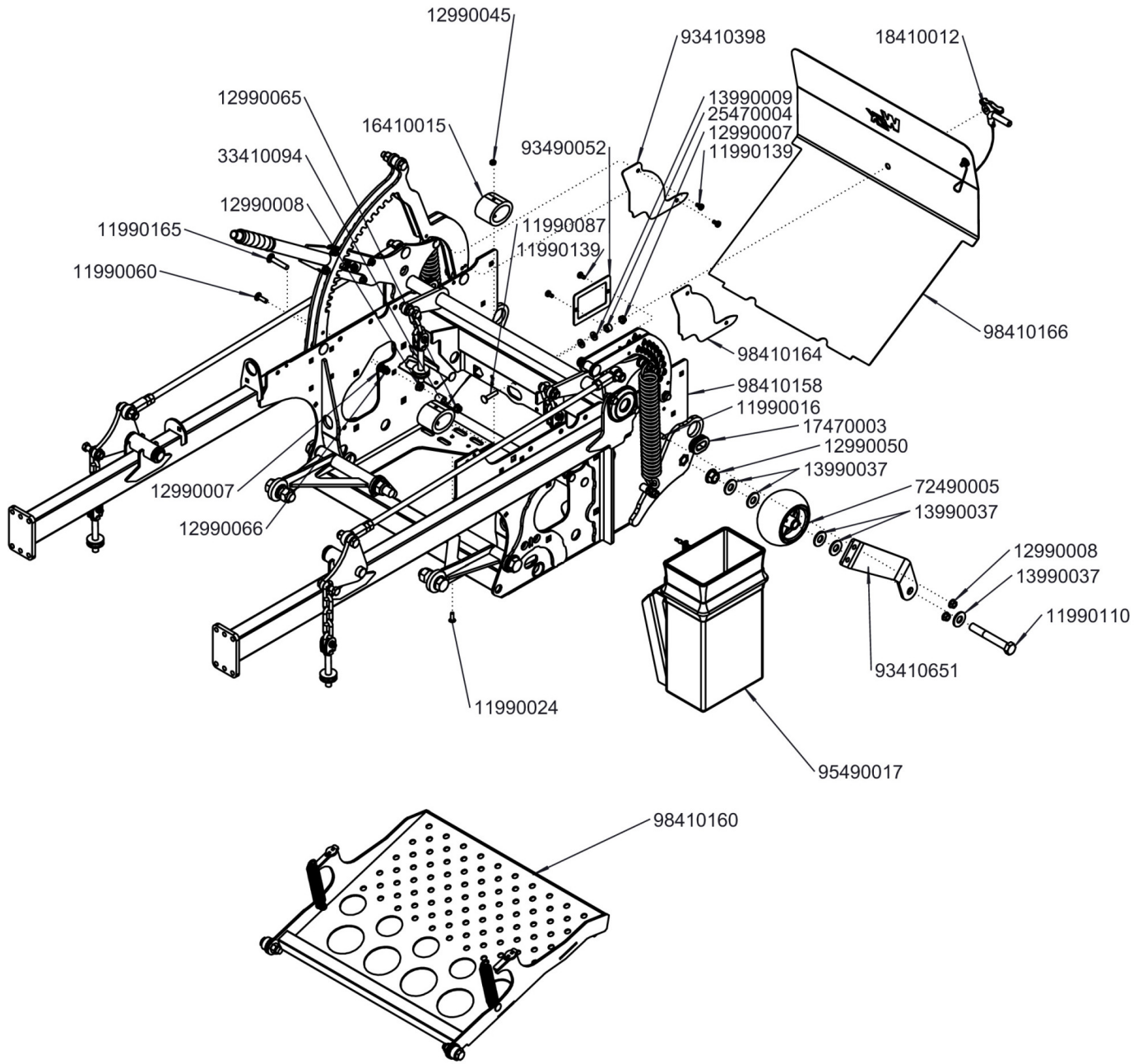


 The Information contained in this drawing is the sole property of Wright MFG., INC. Any Reproduction in part or whole without the written permission of Wright MFG., INC is prohibited

WMI09043				
DECAL, WSZK (not sellable)				
Reference	Part Number	Description	Quantity	Sellable
	76490076	DECAL, ZK STANDER FACE PLATE	1.00 EA	not sellable
	76490100	DECAL, AERO-CORE, DECK	2.00 EA	not sellable
	76490101	MOWER PATENT NUMBERS REV. 7/7/11	1.00 EA	not sellable
	76490154	DECAL, HYDRO GEAR	1.00 EA	not sellable
	76490223	DECAL, KIT, CUTTER DECK	1.00 EA	not sellable
	76490224	DECAL, SERIAL LABEL, 3 X 8.79	1.00 EA	not sellable
	76490225	DECAL,UV SERIAL LAMINATE 2.75 X 4	1.00 EA	not sellable
	76490226	THERMAL RESIN RIBBON, BLACK, 4.10IN, SERIAL	12.00 IN	not sellable
	76490242	DECAL, MASTER KIT, WSZK	1.00 EA	not sellable
	76490261	DECAL, UV SERIAL LAMINATE, 1.25" X 2.75"	1.00 EA	not sellable

WMI09004

TRACTOR, 52/61, ZK (not sellable)

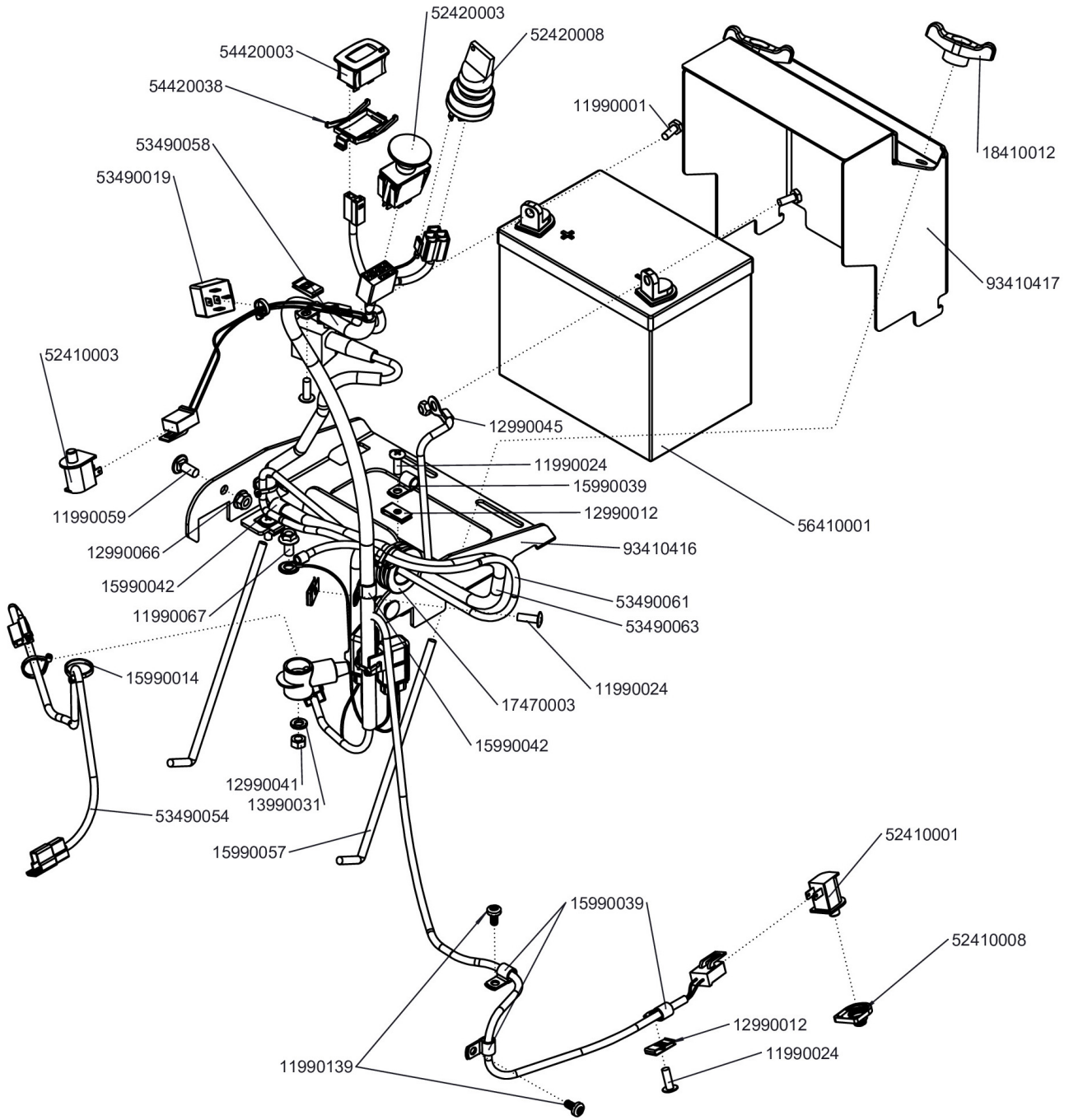


 The Information contained in this drawing is the sole property of Wright MFG., INC. Any Reproduction in part or whole without the written permission of Wright MFG., INC is prohibited

WMI09004				
TRACTOR, 52/61, ZK (not sellable)				
Reference	Part Number	Description	Quantity	Sellable
	11990016	BOLT, CARRIAGE 3/8-16 X 1 Z5	4.00 EA	not sellable
	11990024	SCREW, TRUSS HD, PHILIPS 1/4-20 X 3/4 SS	4.00 EA	not sellable
	11990060	BOLT, CARRIAGE 5/16-18 X 1 Z5	2.00 EA	not sellable
	11990087	BOLT, CARRIAGE 5/16-18 X 1 1/2 Z5	1.00 EA	not sellable
	11990110	BOLT, HEX 5/8 - 11 X 4 1/2 Z5	2.00 EA	not sellable
	11990139	BOLT, TORX PLUS 1/4-20 X 1/2 TT 2000	6.00 EA	not sellable
	11990165	BOLT, CARRIAGE 3/8-16 X 2 Z5	2.00 EA	not sellable
	12990007	NUT, FLANGE 5/16-18 Z5	3.00 EA	not sellable
	12990008	NUT, FLANGE 3/8-16 Z5	6.00 EA	not sellable
	12990045	NUT, TOPLOCK 1/4-20 Z5	4.00 EA	not sellable
	12990050	NUT, FLANGE 5/8-11 Z5	2.00 EA	not sellable
	12990065	NUT, FLANGED NYLOCK, 3/8-16 Z5	2.00 EA	not sellable
	12990066	NUT, FLANGED NYLOCK, 5/16-18 Z5	2.00 EA	not sellable
	13990009	WASHER, FLAT, USS 1/4 Z5	2.00 EA	not sellable
	13990037	WASHER, FLAT 5/8 X 1 3/8	10.00 EA	not sellable
	16410015	ELASTOMER, RADIAL BUMPER	4.00 EA	not sellable
	17470003	GROMMET, 1.0 X 1.375 X 0.1875	2.00 EA	not sellable
	18410012	KNOB, PLASTIC, T	1.00 EA	not sellable
	25470004	PM, ZINC, 0.625 X 0.125 X 0.375	1.00 EA	not sellable
	33410094	HOSE, PLATFORM STOP 3/8 X 7/8	2.00 EA	not sellable
	72490005	WHEEL, PLASTIC, HOOSIER, SPHERICAL, 5IN	2.00 EA	not sellable
	93410398	COVER PLATE, HOC, WSZK	1.00 EA	not sellable
	93410651	ROLLER SUPPORT BRACKET, LEFT	1.00 EA	not sellable
	93410652	ROLLER SUPPORT BRACKET, RIGHT	1.00 EA	not sellable
	93490052	SERIAL LABEL COVER	1.00 EA	not sellable
	95490017	ADD-ON, COLLECTION BAG KIT, WSZK	1.00 EA	not sellable
	98410158	DECK LIFT ASSEMBLY, WSZK	1.00 EA	not sellable
	98410160	PLATFORM ASSEMBLY, WSZK	1.00 EA	not sellable
	98410164	HOC SERVICE ASSY, WSZK	1.00 EA	not sellable
	98410166	TOE PLATE COVER SERVICE ASSY, WSZK	1.00 EA	not sellable

WMI09018

ELEC., KAW/KOH, ZK (not sellable)

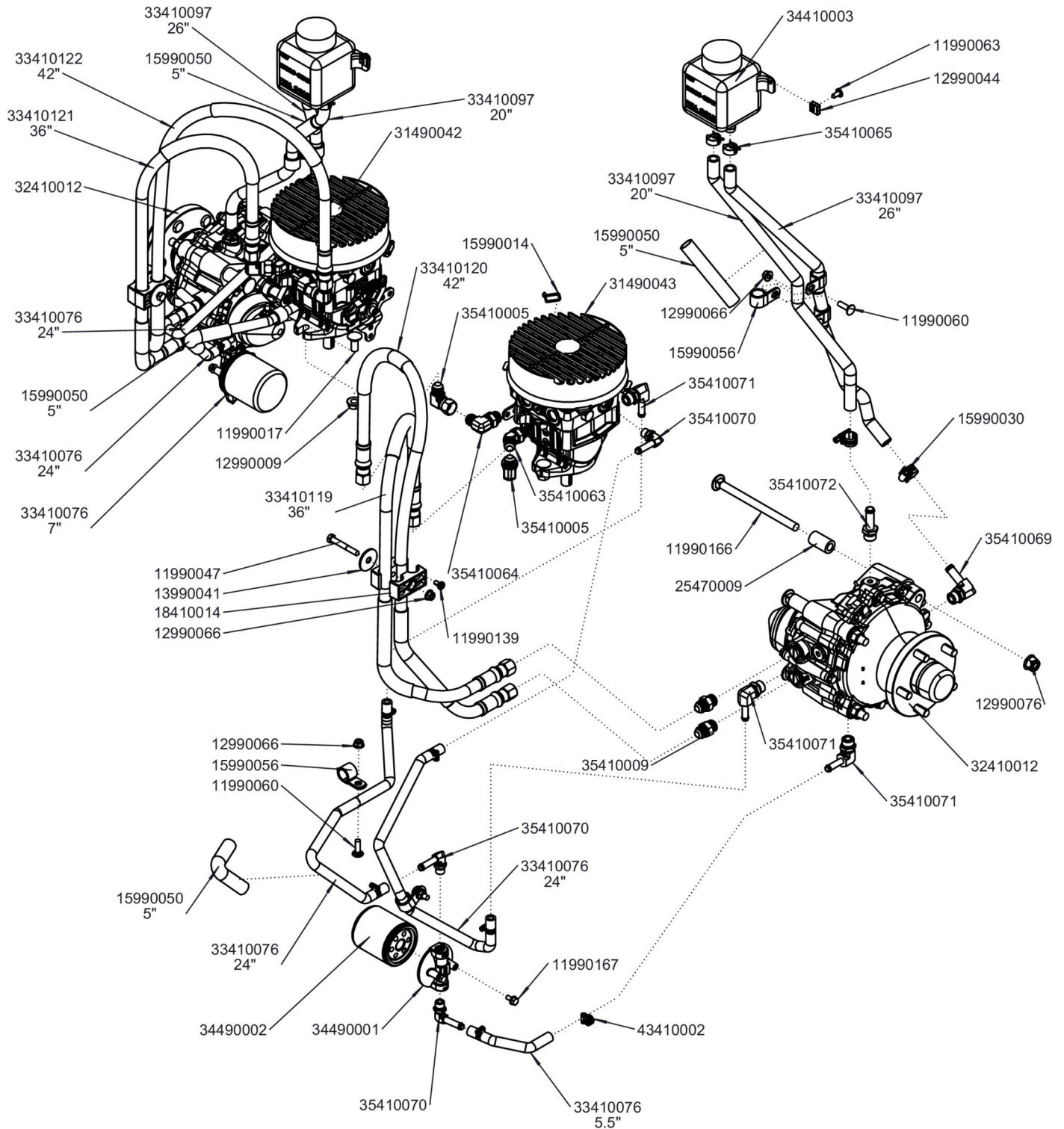


 The Information contained in this drawing is the sole property of Wright MFG., INC. Any Reproduction in part or whole without the written permission of Wright MFG., INC is prohibited

WMI09018				
ELEC., KAW/KOH, ZK (not sellable)				
Reference	Part Number	Description	Quantity	Sellable
	11990001	BOLT, HEX 1/4-20 X 5/8 Z	2.00 EA	not sellable
	11990024	SCREW, TRUSS HD, PHILIPS 1/4-20 X 3/4 SS	5.00 EA	not sellable
	11990059	BOLT, CARRIAGE 5/16-18 X 3/4 Z5	2.00 EA	not sellable
	11990067	BOLT, FLANGE M8-1.25 X 16mm Z10.9	1.00 EA	not sellable
	11990139	BOLT, TORX PLUS 1/4-20 X 1/2 TT 2000	2.00 EA	not sellable
	12990012	NUT, U, 1/4-20, 11GA	5.00 EA	not sellable
	12990045	NUT, TOPLOCK 1/4-20 Z5	2.00 EA	not sellable
	12990066	NUT, FLANGED NYLOCK, 5/16-18 Z5	2.00 EA	not sellable
	15990014	CABLE TIE, 11IN	6.00 EA	not sellable
	15990039	CLIP, VINYL COATED 3/8 OD	4.00 EA	not sellable
	15990042	CLAMP, LOOP W VINYL COAT 1/2 OD, 1/2 WIDE	3.00 EA	not sellable
	15990057	ANCHOR BOLT, 5/16-18 x 8 1/4	2.00 EA	not sellable
	17410006	NITRIL SHEET, PROTECTOR, 3 X 6 X 1/16	1.00 EA	not sellable
	17470003	GROMMET, 1.0 X 1.375 X 0.1875	1.00 EA	not sellable
	18410012	KNOB, PLASTIC, T	2.00 EA	not sellable
	52410001	SWITCH, OPC, (GREY)	1.00 EA	not sellable
	52410003	SWITCH, OPC, 2 LB INT SPRING, NO, BLK	1.00 EA	not sellable
	52410008	RAIN CAP, OPC SWITCH	1.00 EA	not sellable
	52420003	SWITCH, BLADE ON/OFF, RED	1.00 EA	not sellable
	52420008	SWITCH, IGN, ELECT START W/ BELL KEY	1.00 EA	not sellable
	53490019	RELAY, 40 AMP, SEALED W/ RESISTOR	1.00 EA	not sellable
	53490054	HARNESS, PIGTAIL EXTENSION, 17.25	1.00 EA	not sellable
	53490058	HARNESS, ELECTRIC START WITH OUT DELAY	1.00 EA	not sellable
	53490061	CABLE, BATTERY, 38IN BLACK, WSZK	1.00 EA	not sellable
	53490063	CABLE, BATTERY, RED 42IN	1.00 EA	not sellable
	54420003	HOUR METER, DIGITAL	1.00 EA	not sellable
	54420038	RETAINER, HOUR METER	1.00 EA	not sellable
	56410001	BATTERY, 12V 300 CCA MAINT FREE	1.00 EA	not sellable
	93410416	BATTERY TRAY, WSZK	1.00 EA	not sellable
	93410417	BATTERY COVER, WSZK	1.00 EA	not sellable

WMI09040

HYDRO, ZK (not sellable)



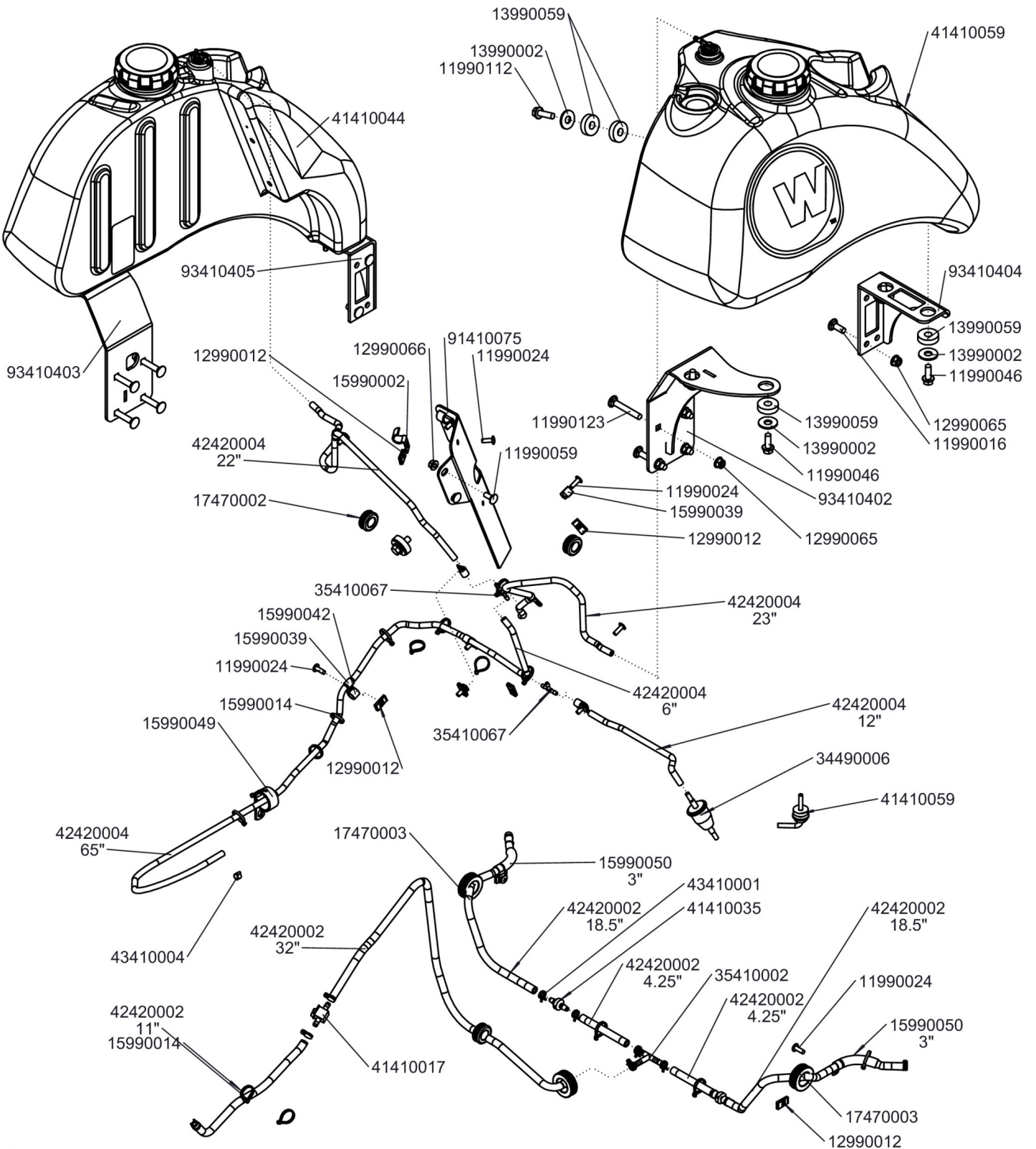
 The Information contained in this drawing is the sole property of Wright MFG., INC. Any Reproduction in part or whole without the written permission of Wright MFG., INC is prohibited


WMI09040				
HYDRO, ZK (not sellable)				
Reference	Part Number	Description	Quantity	Sellable
	11990017	BOLT, CARRIAGE 7/16-14 X 1 Z5	4.00 EA	not sellable
	11990025	SCREW, ROUND HD, PHILIPS 1/4-20 X 2 Z	2.00 EA	not sellable
	11990047	BOLT, HEX 5/16-18 X 2 1/4 Z5	2.00 EA	not sellable
	11990060	BOLT, CARRIAGE 5/16-18 X 1 Z5	8.00 EA	not sellable
	11990063	SCREW, TRUSS HD, PHILIPS 1/4-20 X 1/2 SS	4.00 EA	not sellable
	11990139	BOLT, TORX PLUS 1/4-20 X 1/2 TT 2000	2.00 EA	not sellable
	11990166	BOLT, CARRIAGE 1/2-13 X 7 Z5	8.00 EA	not sellable
	11990167	BOLT, FLANGE 1/4-20 X 1/2 Z5	4.00 EA	not sellable
	12990009	NUT, FLANGE 7/16-14 Z5	4.00 EA	not sellable
	12990044	NUT, U 1/4-20 - 7GA	4.00 EA	not sellable
	12990066	NUT, FLANGED NYLOCK, 5/16-18 Z5	10.00 EA	not sellable
	12990076	NUT, FLANGED NYLOCK, 1/2-13	8.00 EA	not sellable
	13990041	WASHER 3/8 X 1 1/2 X 0.15 Z5	2.00 EA	not sellable
	15990014	CABLE TIE, 11IN	4.00 EA	not sellable
	15990030	WORM GEAR CLAMP, SAE #6, 9/16" BAND	4.00 EA	not sellable
	15990050	LOOM, SPIRAL WRAP, 1/2, PER FT	8.04 IN	not sellable
	15990050	LOOM, SPIRAL WRAP, 1/2, PER FT	8.04 IN	not sellable
	15990050	LOOM, SPIRAL WRAP, 1/2, PER FT	8.04 IN	not sellable
	15990050	LOOM, SPIRAL WRAP, 1/2, PER FT	8.04 IN	not sellable
	15990056	CLIP, VINYL COATED, 3/4ID x 3/4W	10.00 EA	not sellable
	18410014	HYDRO HOSE CLAMP	4.00 EA	not sellable
	25470009	PM, ZINC, 0.875 X .188 X 1.5	8.00 EA	not sellable
	31490042	HYDRO PUMP, 16CC, 7 FAN PR-2HCC-GP1G-XLXX	1.00 EA	not sellable
	31490043	HYDRO PUMP, 16CC, 7 FAN PR-2KCC-GP1G-XLXX	1.00 EA	not sellable
	32410011	HYDRO MOTOR, 15H HGM-15H-XXCG LEFT	1.00 EA	not sellable
	32410012	HYDRO MOTOR, 15H HGM-15H-XXCK RIGHT	1.00 EA	not sellable
	33410076	HOSE, LP WEATHERHEAD, GP PER FT.	5.52 IN	not sellable
	33410076	HOSE, LP WEATHERHEAD, GP PER FT.	7.08 IN	not sellable
	33410076	HOSE, LP WEATHERHEAD, GP PER FT.	24.00 IN	not sellable
	33410076	HOSE, LP WEATHERHEAD, GP PER FT.	24.00 IN	not sellable
	33410076	HOSE, LP WEATHERHEAD, GP PER FT.	24.00 IN	not sellable
	33410076	HOSE, LP WEATHERHEAD, GP PER FT.	24.00 IN	not sellable
	33410097	HOSE, GP, 1/2 ID	20.04 IN	not sellable
	33410097	HOSE, GP, 1/2 ID	20.04 IN	not sellable
	33410097	HOSE, GP, 1/2 ID	26.04 IN	not sellable
	33410097	HOSE, GP, 1/2 ID	26.04 IN	not sellable
	33410119	HOSE, HIGH PRESSURE, 36, LEFT, WSZK	1.00 EA	not sellable
	33410120	HOSE, HIGH PRESSURE,42, LEFT, WSZK	1.00 EA	not sellable

WMI09040				
HYDRO, ZK (not sellable)				
Reference	Part Number	Description	Quantity	Sellable
	33410121	HOSE, HIGH PRESSURE, 36, RIGHT, WSZK	1.00 EA	not sellable
	33410122	HOSE, HIGH PRESSURE, 42, RIGHT, WSZK	1.00 EA	not sellable
	34410003	HYDRO, RESERVOIR, 700ML HG# 71327	2.00 EA	not sellable
	34490001	HYDRO OIL FILTER HOUSING BLOCK	2.00 EA	not sellable
	34490002	HYDRO OIL FILTER 25 MICRON, NON-BYPASS	2.00 EA	not sellable
	35410005	FITTING, 90 DEGREE -8 FJIC X -8 MJIC	4.00 EA	not sellable
	35410009	FITTING, STRAIGHT -8 MORB X -8 MJIC	4.00 EA	not sellable
	35410063	FITTING, 45 DEG -8 MORB X -8 MJIC	2.00 EA	not sellable
	35410064	FITTING, 90 DEGREE -8 MORB X -8 MJIC	2.00 EA	not sellable
	35410065	CLAMP, HOSE, 1/2IN BAND	4.00 EA	not sellable
	35410069	FITTING, 90 DEGREE, -8 MORB X -8 BARB	2.00 EA	not sellable
	35410070	FITTING, 90 DEGREE, -6 MORB X -6 BARB	6.00 EA	not sellable
	35410071	FITTING, 90 DEGREE, -8 MORB X -6 BARB	6.00 EA	not sellable
	35410072	FITTING, STRAIGHT, -8 MORB X -8 BARB	2.00 EA	not sellable
	36490001	OIL, MOTOR SYNTHETIC SAE 15W50	128.00 OZ	not sellable
	43410002	WORM GEAR CLAMP, SAE #4, 5/16" BAND	12.00 EA	not sellable

WMI09047

FUEL, KAW, ZK (not sellable)



 The Information contained in this drawing is the sole property of Wright MFG., INC. Any Reproduction in part or whole without the written permission of Wright MFG., INC is prohibited

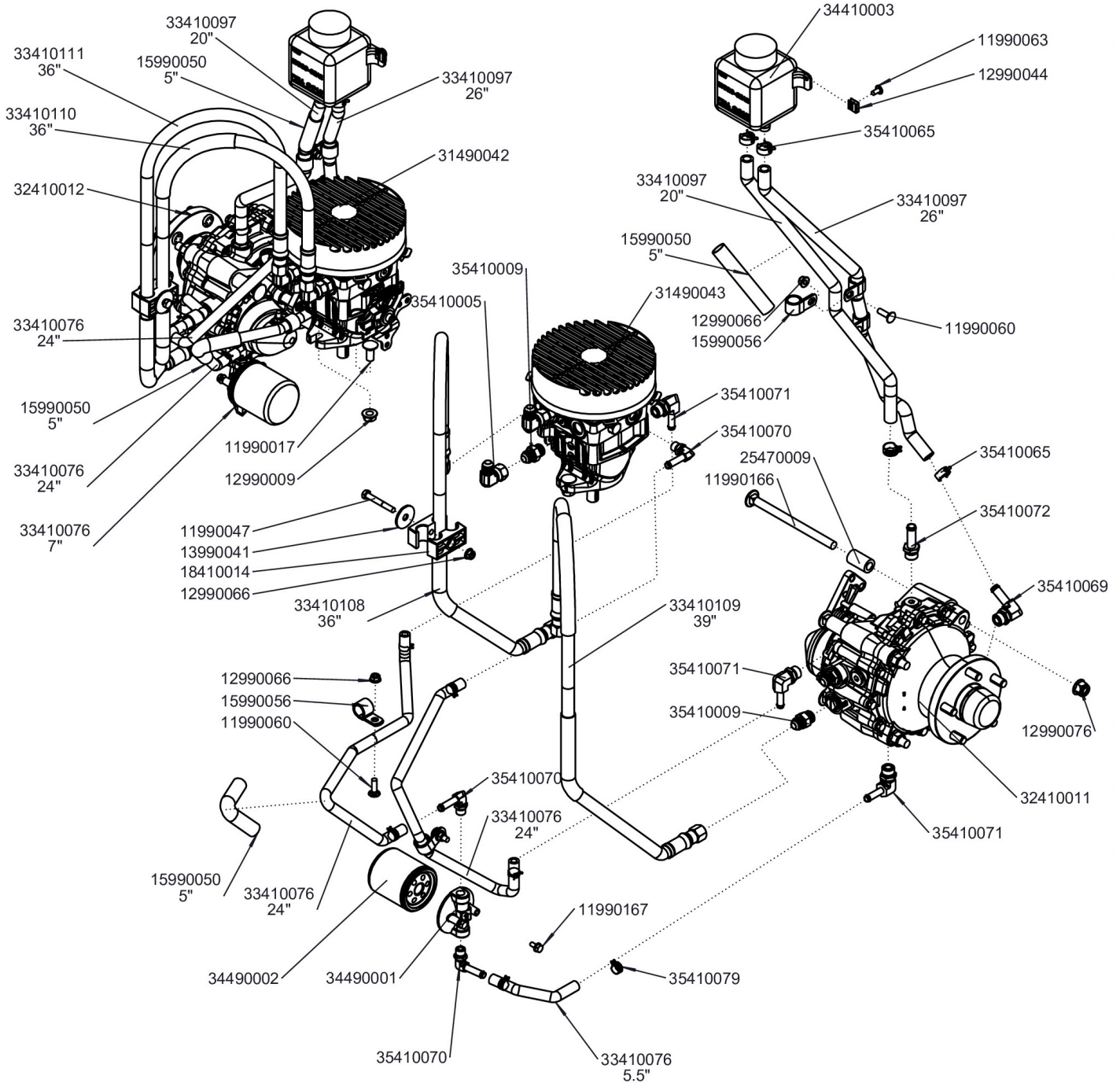
WMI09047				
FUEL, KAW, ZK (not sellable)				
Reference	Part Number	Description	Quantity	Sellable
	11990016	BOLT, CARRIAGE 3/8-16 X 1 Z5	4.00 EA	not sellable
	11990024	SCREW, TRUSS HD, PHILIPS 1/4-20 X 3/4 SS	11.00 EA	not sellable
	11990046	BOLT, FLANGE, SERRATED 3/8-16 X 1 Z8	9.00 EA	not sellable
	11990059	BOLT, CARRIAGE 5/16-18 X 3/4 Z5	2.00 EA	not sellable
	11990112	BOLT, FLANGE 3/8-16 X 1 1/4 Z8	1.00 EA	not sellable
	11990123	BOLT, CARRIAGE 3/8-16 X 2 1/2 Z5	8.00 EA	not sellable
	12990012	NUT, U, 1/4-20, 11GA	11.00 EA	not sellable
	12990065	NUT, FLANGED NYLOCK, 3/8-16 Z5	12.00 EA	not sellable
	12990066	NUT, FLANGED NYLOCK, 5/16-18 Z5	2.00 EA	not sellable
	13990002	WASHER, FLAT, USS 7/16 Z5	10.00 EA	not sellable
	13990059	WASHER, NEOPRENE 40D 0.5 X 1.375 X 0.375	11.00 EA	not sellable
	15990002	CLIP, HALF 5/8	2.00 EA	not sellable
	15990014	CABLE TIE, 11IN	15.00 EA	not sellable
	15990039	CLIP, VINYL COATED 3/8 OD	7.00 EA	not sellable
	15990042	CLAMP, LOOP W VINYL COAT 1/2 OD, 1/2 WIDE	3.00 EA	not sellable
	15990049	CLIP, FULL, 1 1/4	1.00 EA	not sellable
	15990050	LOOM, SPIRAL WRAP, 1/2, PER FT	24.00 IN	not sellable
	17470002	GROMMET, 0.688 X 1.00 X 0.250	3.00 EA	not sellable
	17470003	GROMMET, 1.0 X 1.375 X 0.1875	3.00 EA	not sellable
	34490006	FUEL FILTER, EVAP	1.00 EA	not sellable
	35410002	FITTING, TEE .25 BARB BLK NYLON	1.00 EA	not sellable
	35410067	FITTING, TEE 3/16 BARBED	2.00 EA	not sellable
	41410017	VALVE, IN LINE FUEL	1.00 EA	not sellable
	41410035	FUEL, CHECK VALVE, 1/4	2.00 EA	not sellable
	41410044	FUEL TANK ASSY, RIGHT LOW PERM, BOTTOM, WSZK	1.00 EA	not sellable
	41410059	FUEL TANK, LEFT, LOW PERM, BOTTOM, WSZK	1.00 EA	not sellable
	42420002	HOSE, FUEL 1/4 ID LOW PERM, PER FT	18.49 IN	not sellable
	42420002	HOSE, FUEL 1/4 ID LOW PERM, PER FT	8.50 IN	not sellable
	42420002	HOSE, FUEL 1/4 ID LOW PERM, PER FT	18.49 IN	not sellable
	42420002	HOSE, FUEL 1/4 ID LOW PERM, PER FT	32.00 IN	not sellable
	42420002	HOSE, FUEL 1/4 ID LOW PERM, PER FT	13.00 IN	not sellable
	42420004	HOSE, FUEL 3/16 ID NOT LOW PERM, PER FT	23.00 IN	not sellable
	42420004	HOSE, FUEL 3/16 ID NOT LOW PERM, PER FT	22.00 IN	not sellable
	42420004	HOSE, FUEL 3/16 ID NOT LOW PERM, PER FT	6.00 IN	not sellable
	42420004	HOSE, FUEL 3/16 ID NOT LOW PERM, PER FT	65.00 IN	not sellable
	42420004	HOSE, FUEL 3/16 ID NOT LOW PERM, PER FT	12.00 IN	not sellable
	43410001	HOSE CLAMP, 1/4	12.00 EA	not sellable
	43410004	HOSE, EAR CLAMP, 3/16	1.00 EA	not sellable

WMI09047**FUEL, KAW, ZK (not sellable)**

Reference	Part Number	Description	Quantity	Sellable
	91410075	FUEL TANK GUARD, WSZK	1.00 EA	not sellable
	93410402	FUEL TANK SUPPORT, FRONT LT, WSZK	1.00 EA	not sellable
	93410403	FUEL TANK SUPPORT, FRONT RT, WSZK	1.00 EA	not sellable
	93410404	FUEL TANK SUPPORT, REAR LT, WSZK	1.00 EA	not sellable
	93410405	FUEL TANK SUPPORT, REAR RT, WSZK	1.00 EA	not sellable

WMI09017

HYDRO, ZK (not sellable)



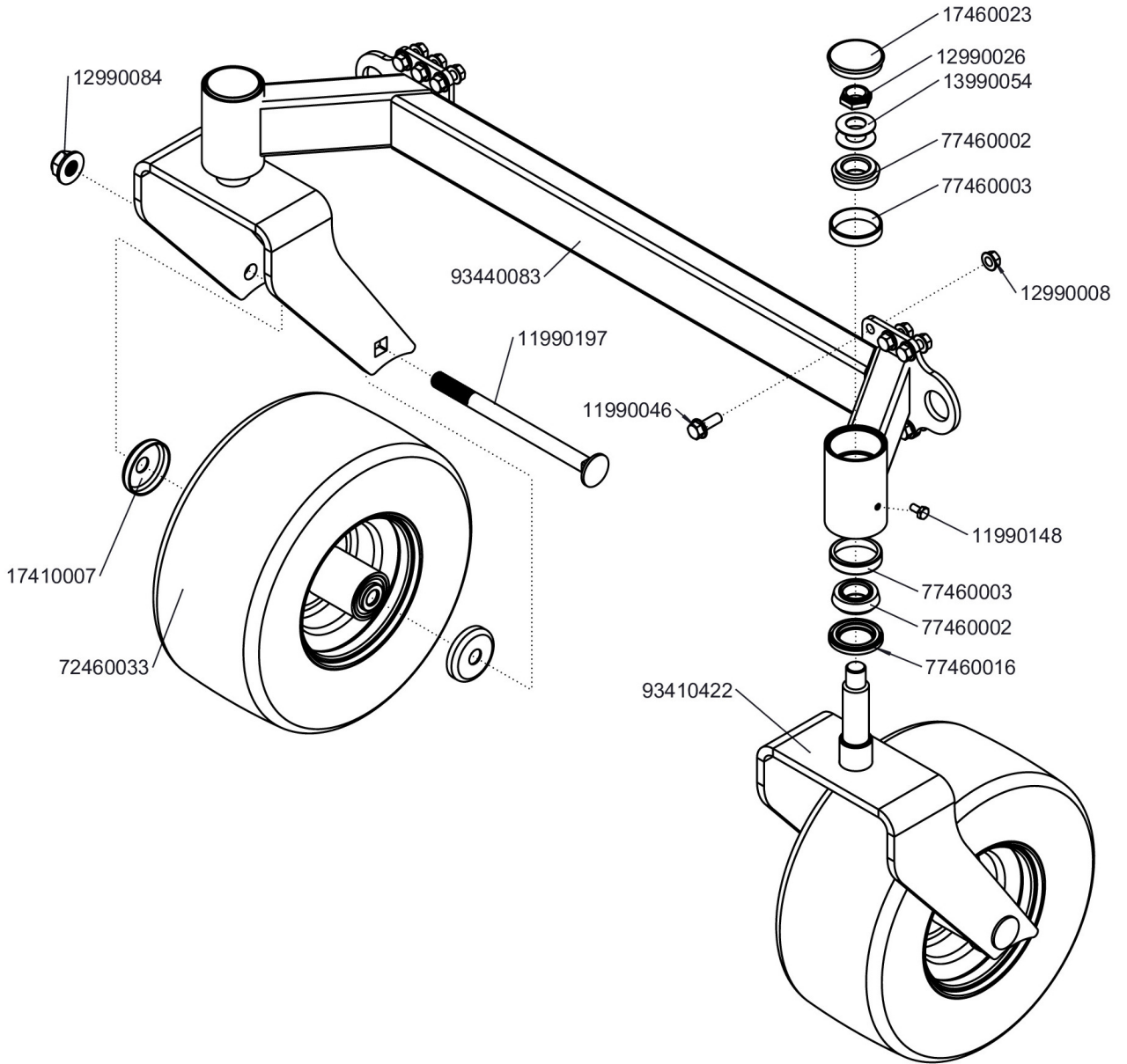
 The information contained in this drawing is the sole property of Wright MFG., INC. Any reproduction in part or whole without the written permission of Wright MFG., INC is prohibited.

WMI09017				
HYDRO, ZK (not sellable)				
Reference	Part Number	Description	Quantity	Sellable
	11990017	BOLT, CARRIAGE 7/16-14 X 1 Z5	4.00 EA	not sellable
	11990047	BOLT, HEX 5/16-18 X 2 1/4 Z5	2.00 EA	not sellable
	11990060	BOLT, CARRIAGE 5/16-18 X 1 Z5	8.00 EA	not sellable
	11990063	SCREW, TRUSS HD, PHILIPS 1/4-20 X 1/2 SS	4.00 EA	not sellable
	11990166	BOLT, CARRIAGE 1/2-13 X 7 Z5	8.00 EA	not sellable
	11990167	BOLT, FLANGE 1/4-20 X 1/2 Z5	4.00 EA	not sellable
	12990009	NUT, FLANGE 7/16-14 Z5	4.00 EA	not sellable
	12990044	NUT, U 1/4-20 - 7GA	4.00 EA	not sellable
	12990066	NUT, FLANGED NYLOCK, 5/16-18 Z5	10.00 EA	not sellable
	12990076	NUT, FLANGED NYLOCK, 1/2-13	8.00 EA	not sellable
	13990041	WASHER 3/8 X 1 1/2 X 0.15 Z5	2.00 EA	not sellable
	15990050	LOOM, SPIRAL WRAP, 1/2, PER FT	5.00 IN	not sellable
	15990050	LOOM, SPIRAL WRAP, 1/2, PER FT	5.00 IN	not sellable
	15990050	LOOM, SPIRAL WRAP, 1/2, PER FT	5.00 IN	not sellable
	15990050	LOOM, SPIRAL WRAP, 1/2, PER FT	5.00 IN	not sellable
	15990050	LOOM, SPIRAL WRAP, 1/2, PER FT	45.98 IN	not sellable
	15990056	CLIP, VINYL COATED, 3/4ID x 3/4W	10.00 EA	not sellable
	18410014	HYDRO HOSE CLAMP	4.00 EA	not sellable
	25470009	PM, ZINC, 0.875 X .188 X 1.5	8.00 EA	not sellable
	31490042	HYDRO PUMP, 16CC, 7 FAN PR-2HCC-GP1G-XLXX	1.00 EA	not sellable
	31490043	HYDRO PUMP, 16CC, 7 FAN PR-2KCC-GP1G-XLXX	1.00 EA	not sellable
	32410011	HYDRO MOTOR, 15H HGM-15H-XXCG LEFT	1.00 EA	not sellable
	32410012	HYDRO MOTOR, 15H HGM-15H-XXCK RIGHT	1.00 EA	not sellable
	33410076	HOSE, LP WEATHERHEAD, GP PER FT.	5.51 IN	not sellable
	33410076	HOSE, LP WEATHERHEAD, GP PER FT.	7.01 IN	not sellable
	33410076	HOSE, LP WEATHERHEAD, GP PER FT.	24.00 IN	not sellable
	33410076	HOSE, LP WEATHERHEAD, GP PER FT.	24.00 IN	not sellable
	33410076	HOSE, LP WEATHERHEAD, GP PER FT.	24.00 IN	not sellable
	33410076	HOSE, LP WEATHERHEAD, GP PER FT.	24.00 IN	not sellable
	33410097	HOSE, GP, 1/2 ID	20.00 IN	not sellable
	33410097	HOSE, GP, 1/2 ID	26.00 IN	not sellable
	33410097	HOSE, GP, 1/2 ID	20.00 IN	not sellable
	33410097	HOSE, GP, 1/2 ID	26.00 IN	not sellable
	33410108	HOSE, HIGH PRESSURE, 36, LEFT, WSZK	1.00 EA	not sellable
	33410109	HOSE, HIGH PRESSURE, 39, LEFT, WSZK	1.00 EA	not sellable
	33410110	HOSE, HIGH PRESSURE, 36, RIGHT, WSZK	1.00 EA	not sellable
	33410111	HOSE, HIGH PRESSURE, 39, RIGHT, WSZK	1.00 EA	not sellable
	34410003	HYDRO, RESERVOIR, 700ML HG# 71327	2.00 EA	not sellable

WMI09017				
HYDRO, ZK (not sellable)				
Reference	Part Number	Description	Quantity	Sellable
	34490001	HYDRO OIL FILTER HOUSING BLOCK	2.00 EA	not sellable
	34490002	HYDRO OIL FILTER 25 MICRON, NON-BYPASS	2.00 EA	not sellable
	35410005	FITTING, 90 DEGREE -8 FJIC X -8 MJIC	4.00 EA	not sellable
	35410009	FITTING, STRAIGHT -8 MORB X -8 MJIC	8.00 EA	not sellable
	35410065	CLAMP, HOSE, 1/2IN BAND	8.00 EA	not sellable
	35410069	FITTING, 90 DEGREE, -8 MORB X -8 BARB	2.00 EA	not sellable
	35410070	FITTING, 90 DEGREE, -6 MORB X -6 BARB	6.00 EA	not sellable
	35410071	FITTING, 90 DEGREE, -8 MORB X -6 BARB	6.00 EA	not sellable
	35410072	FITTING, STRAIGHT, -8 MORB X -8 BARB	2.00 EA	not sellable
	35410079	HOSE CLAMP, ECGP 3/8 BAND	12.00 EA	not sellable
	36490001	OIL, MOTOR SYNTHETIC SAE 15W50	128.00 OZ	not sellable

WMI09034

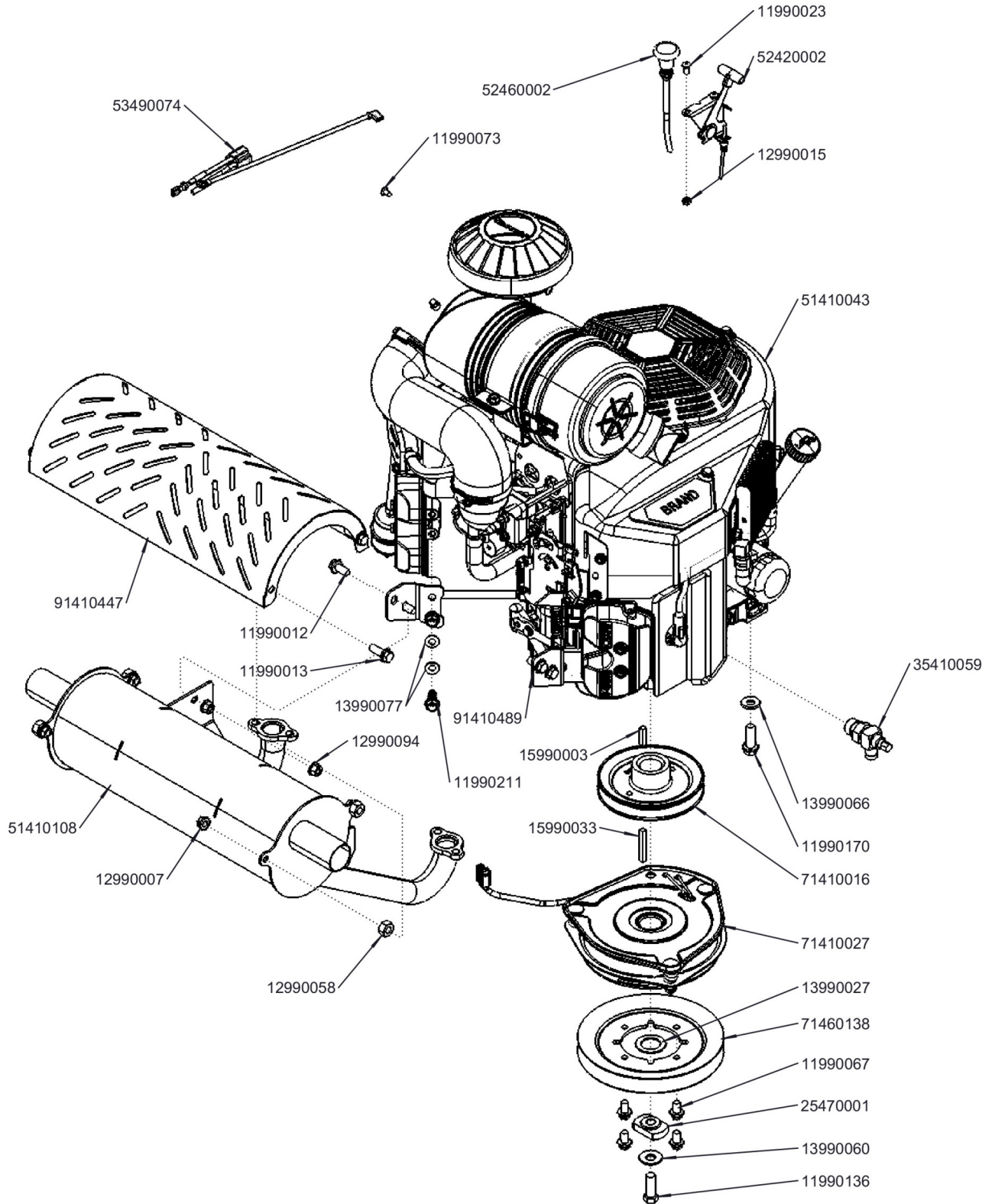
ZK, CASTER, 52 (not sellable)



WMI09034				
ZK, CASTER, 52 (not sellable)				
Reference	Part Number	Description	Quantity	Sellable
	11990046	BOLT, FLANGE, SERRATED 3/8-16 X 1 Z8	12.00 EA	not sellable
	11990148	BOLT, HEX 1/4-28 X 1/2 Z5	2.00 EA	not sellable
	11990197	BOLT, CARRIAGE, 5/8 - 11 X 8.5	2.00 EA	not sellable
	12990008	NUT, FLANGE 3/8-16 Z5	12.00 EA	not sellable
	12990026	NUT, NYLOCK, JAM 3/4-10 Z5	2.00 EA	not sellable
	12990084	NUT, FLANGED NYLOC, 5/8 - 11	2.00 EA	not sellable
	13990054	WASHER, BELVILLE 3/4 ID X 1 1/2 OD X .05	4.00 EA	not sellable
	17410007	CASTER WHEEL BEARING SHEILD	4.00 EA	not sellable
	17460023	DUST CAP, METAL, LOW PROFILE	2.00 EA	not sellable
	72460033	WHEEL ASSY, CASTER, 13 X 6.50 - 6, BALL BRG	2.00 EA	not sellable
	77460002	BEARING, TAPERED, CASTER ARM	4.00 EA	not sellable
	77460003	BEARING RACE, CASTER ARM	4.00 EA	not sellable
	77460016	SEAL, 1.250 X 2.062 X.25	2.00 EA	not sellable
	93410422	CASTER YOKE, WIDTH, 6.63 WSZK	2.00 EA	not sellable
	93440083	CASTER FRAME WELDMENT, 52 WZK	1.00 EA	not sellable

WMI09054

ENGINE, FX850, ELECTRIC, ZK (not sellable)

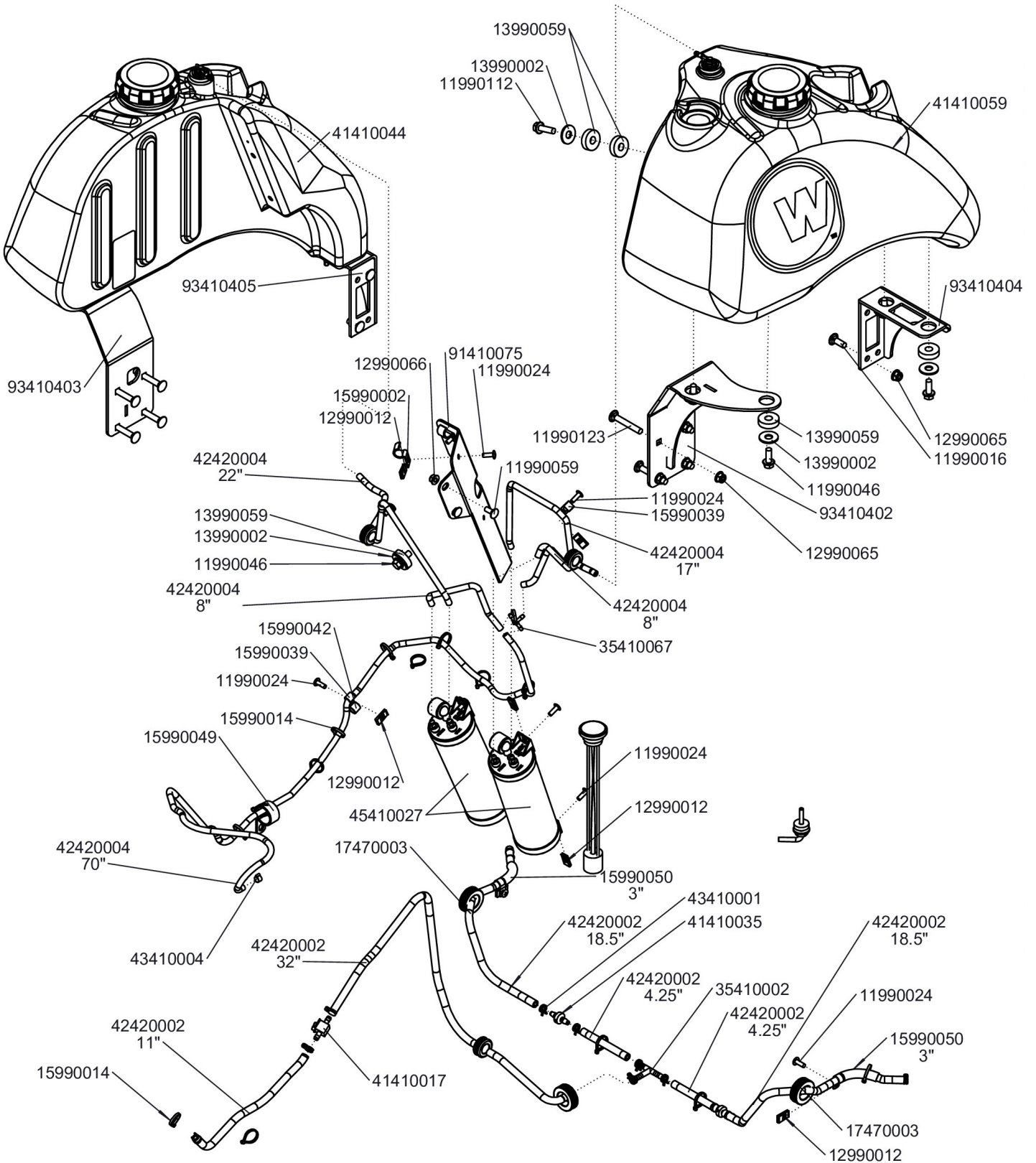


 The Information contained in this drawing is the sole property of Wright MFG ., INC. Any Reproduction in part or whole without the written permission of Wright MFG ., INC is prohibited

WMI09054				
ENGINE, FX850, ELECTRIC, ZK (not sellable)				
Reference	Part Number	Description	Quantity	Sellable
	11990012	BOLT, FLANGE 5/16-18 X 3/4 Z5	4.00 EA	not sellable
	11990013	BOLT, FLANGE 5/16-18 X 1 Z5	4.00 EA	not sellable
	11990023	SCREW, TRUSS HD, PHILIPS 10-32 X 1/2 Z	2.00 EA	not sellable
	11990067	BOLT, FLANGE M8-1.25 X 16mm Z10.9	4.00 EA	not sellable
	11990073	SCREW, PAN HD, PHILIPS #8 X 1/2 Z	2.00 EA	not sellable
	11990136	BOLT, HEX 7/16-20 X 1 1/4 Z5	1.00 EA	not sellable
	11990170	BOLT, FLANGE, SMOOTH 3/8-16 X 1 1/4 ZB8	4.00 EA	not sellable
	11990211	BOLT, HEX, M8-1.25 X 25	4.00 EA	not sellable
	12990007	NUT, FLANGE 5/16-18 Z5	4.00 EA	not sellable
	12990015	NUT, KEP 10-32 Z	2.00 EA	not sellable
	12990058	NUT, HEX 3/8-16 Z2 HEAVY	4.00 EA	not sellable
	12990094	NUT, TOPLOCK, 5/16-18	4.00 EA	not sellable
	13990027	MACH BUSH 1 X 1 1/2 X 14GA	1.00 EA	not sellable
	13990060	WASHER, SPRING, 1.142OD X .512	1.00 EA	not sellable
	13990066	WASHER, SPRING, 0.945 OD X 0.413 X 0.118 X 0.146	4.00 EA	not sellable
	13990077	WASHER, BELLEVILLE, M8 X .70 OD X .05	8.00 EA	not sellable
	15990003	MACHINE KEY 1/4 X 1/4 X 1	1.00 EA	not sellable
	15990033	MACHINE KEY 1/4 X 1/4 X 1 7/8	1.00 EA	not sellable
	25470001	SPACER, CLUTCH, UNIVERSAL	1.00 EA	not sellable
	35410059	OIL DRAIN VALVE M20 X 2.5 THD	1.00 EA	not sellable
	51410043	ENGINE, FX850E	1.00 EA	not sellable
	51410108	MUFFLER, KAW 850, HORZ HIGH MOUNT	1.00 EA	not sellable
	52420002	THROTTLE CABLE	1.00 EA	not sellable
	52460002	CHOKE CABLE	1.00 EA	not sellable
	53490074	PIGTAIL, ENG., KAWASAKI, ELEC. WITH CHARGE	1.00 EA	not sellable
	71410016	PULLEY, 5-1/4 OD X A/B GRV X 1.125 ENG	1.00 EA	not sellable
	71410027	CLUTCH, 1.125, OGURA GT3.5	1.00 EA	not sellable
	71460138	PULLEY, 6.75 X B GRV CLUTCH	1.00 EA	not sellable
	91410447	HEAT SHIELD, HIGH MOUNT, FX850 KAW	1.00 EA	not sellable
	91410489	MUFFLER BRACKET, FX850, LEFT	1.00 EA	not sellable
	91410490	MUFFLER BRACKET, FX850, RIGHT	1.00 EA	not sellable

WMI09015

FUEL, KAW, ZK (not sellable)



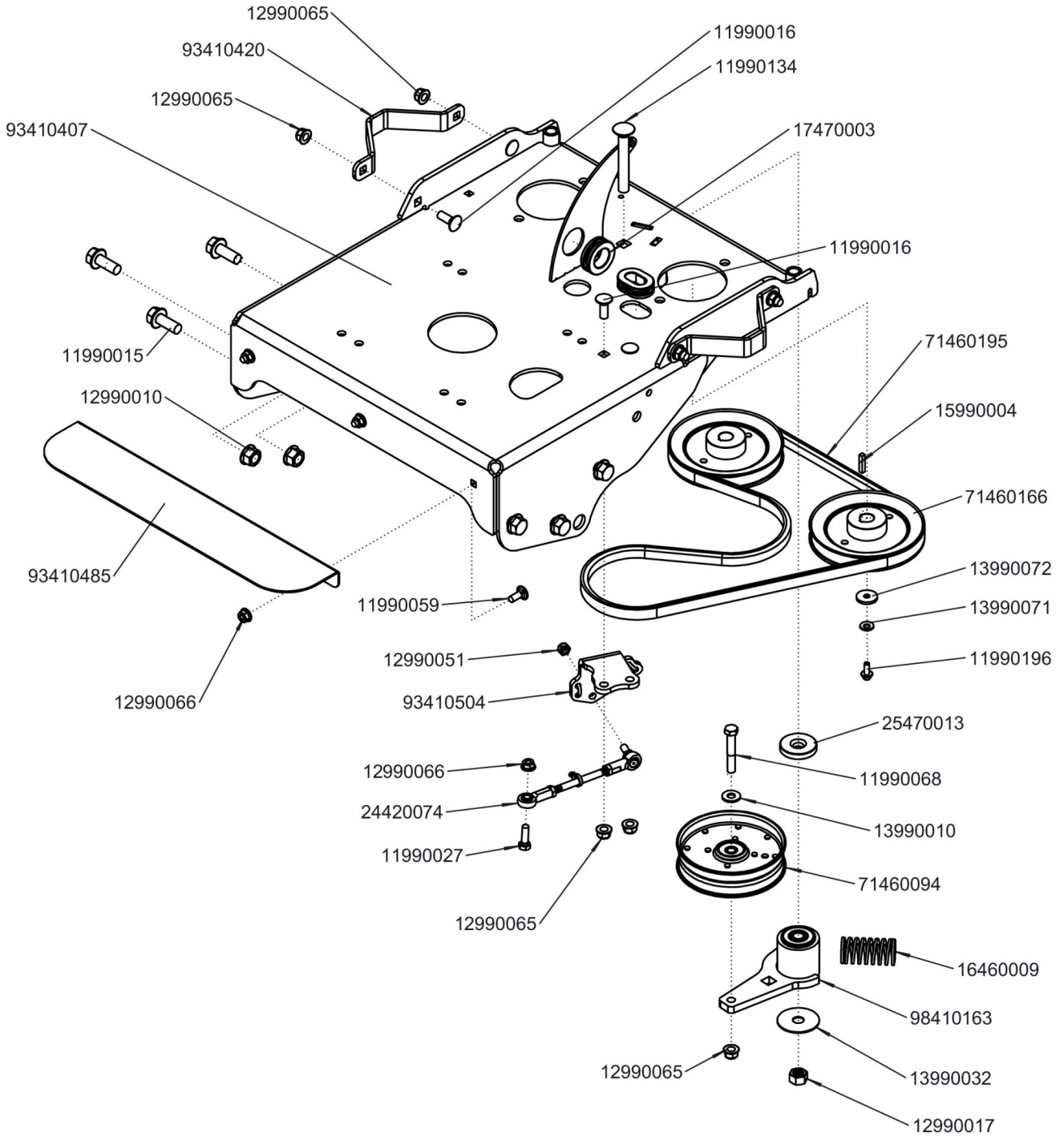
The Information contained in this drawing is the sole property of Wright MFG., INC. Any Reproduction in part or whole without the written permission of Wright MFG., INC is prohibited


WMI09015				
FUEL, KAW, ZK (not sellable)				
Reference	Part Number	Description	Quantity	Sellable
	11990016	BOLT, CARRIAGE 3/8-16 X 1 Z5	4.00 EA	not sellable
	11990024	SCREW, TRUSS HD, PHILIPS 1/4-20 X 3/4 SS	11.00 EA	not sellable
	11990046	BOLT, FLANGE, SERRATED 3/8-16 X 1 Z8	9.00 EA	not sellable
	11990059	BOLT, CARRIAGE 5/16-18 X 3/4 Z5	2.00 EA	not sellable
	11990112	BOLT, FLANGE 3/8-16 X 1 1/4 Z8	1.00 EA	not sellable
	11990123	BOLT, CARRIAGE 3/8-16 X 2 1/2 Z5	8.00 EA	not sellable
	12990012	NUT, U, 1/4-20, 11GA	11.00 EA	not sellable
	12990065	NUT, FLANGED NYLOCK, 3/8-16 Z5	12.00 EA	not sellable
	12990066	NUT, FLANGED NYLOCK, 5/16-18 Z5	2.00 EA	not sellable
	13990002	WASHER, FLAT, USS 7/16 Z5	10.00 EA	not sellable
	13990059	WASHER, NEOPRENE 40D 0.5 X 1.375 X 0.375	11.00 EA	not sellable
	15990002	CLIP, HALF 5/8	2.00 EA	not sellable
	15990014	CABLE TIE, 11IN	15.00 EA	not sellable
	15990039	CLIP, VINYL COATED 3/8 OD	3.00 EA	not sellable
	15990042	CLAMP, LOOP W VINYL COAT 1/2 OD, 1/2 WIDE	3.00 EA	not sellable
	15990049	CLIP, FULL, 1 1/4	1.00 EA	not sellable
	15990050	LOOM, SPIRAL WRAP, 1/2, PER FT	3.00 IN	not sellable
	15990050	LOOM, SPIRAL WRAP, 1/2, PER FT	3.00 IN	not sellable
	17470002	GROMMET, 0.688 X 1.00 X 0.250	3.00 EA	not sellable
	17470003	GROMMET, 1.0 X 1.375 X 0.1875	3.00 EA	not sellable
	35410002	FITTING, TEE .25 BARB BLK NYLON	1.00 EA	not sellable
	35410067	FITTING, TEE 3/16 BARBED	1.00 EA	not sellable
	41410017	VALVE, IN LINE FUEL	1.00 EA	not sellable
	41410035	FUEL, CHECK VALVE, 1/4	2.00 EA	not sellable
	41410043	FUEL TANK ASSY, LEFT LOW PERM, BOTTOM, WSZK	1.00 EA	not sellable
	41410059	FUEL TANK, LEFT, LOW PERM, BOTTOM, WSZK	1.00 EA	not sellable
	42420002	HOSE, FUEL 1/4 ID LOW PERM, PER FT	18.50 IN	not sellable
	42420002	HOSE, FUEL 1/4 ID LOW PERM, PER FT	4.25 IN	not sellable
	42420002	HOSE, FUEL 1/4 ID LOW PERM, PER FT	18.50 IN	not sellable
	42420002	HOSE, FUEL 1/4 ID LOW PERM, PER FT	32.00 IN	not sellable
	42420002	HOSE, FUEL 1/4 ID LOW PERM, PER FT	11.00 IN	not sellable
	42420004	HOSE, FUEL 3/16 ID NOT LOW PERM, PER FT	22.08 IN	not sellable
	42420004	HOSE, FUEL 3/16 ID NOT LOW PERM, PER FT	17.00 IN	not sellable
	42420004	HOSE, FUEL 3/16 ID NOT LOW PERM, PER FT	8.00 IN	not sellable
	42420004	HOSE, FUEL 3/16 ID NOT LOW PERM, PER FT	8.00 IN	not sellable
	42420004	HOSE, FUEL 3/16 ID NOT LOW PERM, PER FT	69.96 IN	not sellable
	43410001	HOSE CLAMP, 1/4	12.00 EA	not sellable
	43410004	HOSE, EAR CLAMP, 3/16	1.00 EA	not sellable

WMI09015				
FUEL, KAW, ZK (not sellable)				
Reference	Part Number	Description	Quantity	Sellable
	45410027	CARBON CANISTER,9.3 GAL W/EARS Q-09-023	2.00 EA	not sellable
	91410075	FUEL TANK GUARD, WSZK	1.00 EA	not sellable
	93410402	FUEL TANK SUPPORT, FRONT LT, WSZK	1.00 EA	not sellable
	93410403	FUEL TANK SUPPORT, FRONT RT, WSZK	1.00 EA	not sellable
	93410404	FUEL TANK SUPPORT, REAR LT, WSZK	1.00 EA	not sellable
	93410405	FUEL TANK SUPPORT, REAR RT, WSZK	1.00 EA	not sellable

WMI09038

ZK, ENG. DECK (not sellable)

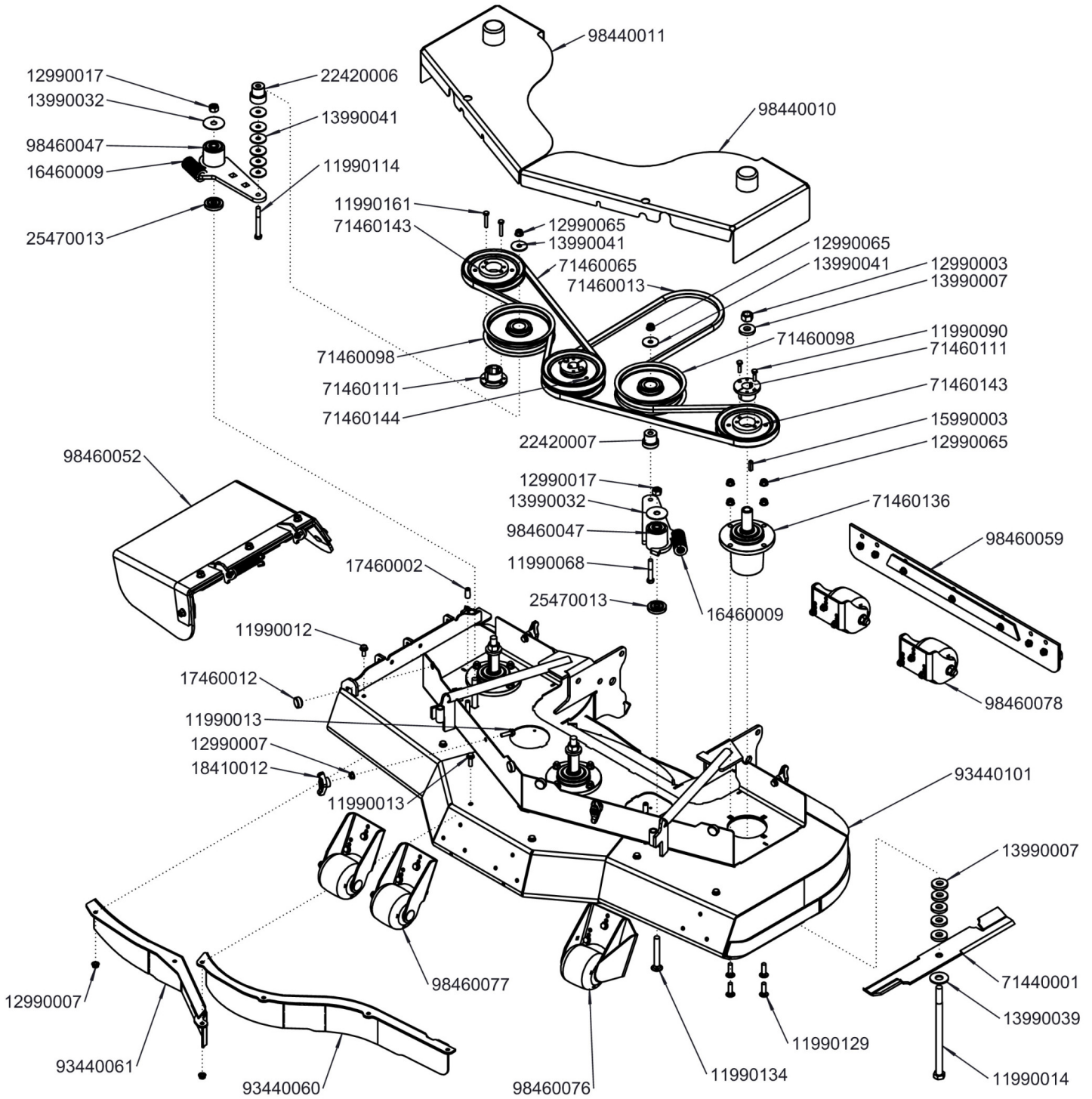


 The Information contained in this drawing is the sole property of Wright MFG., INC. Any Reproduction in part or whole without the written permission of Wright MFG., INC is prohibited

WMI09038				
ZK, ENG. DECK (not sellable)				
Reference	Part Number	Description	Quantity	Sellable
	11990015	BOLT, FLANGE 1/2-13 X 1 1/4 Z5	6.00 EA	not sellable
	11990016	BOLT, CARRIAGE 3/8-16 X 1 Z5	6.00 EA	not sellable
	11990027	BOLT, HEX 5/16-18 X 1 Z5	1.00 EA	not sellable
	11990059	BOLT, CARRIAGE 5/16-18 X 3/4 Z5	3.00 EA	not sellable
	11990068	BOLT, HEX 3/8-16 X 2 1/4 Z5	1.00 EA	not sellable
	11990134	BOLT, CARRIAGE 1/2-13 X3 1/2 Z5	1.00 EA	not sellable
	11990196	BOLT, FLANGE, PATCH LOCK M6-1 X 16MM B1	2.00 EA	not sellable
	12990010	NUT, FLANGE 1/2-13 Z5	6.00 EA	not sellable
	12990017	NUT, HEX, CENTERLOCK 1/2-13NC	1.00 EA	not sellable
	12990051	NUT, NYLOCK 5/16-24 Z5	1.00 EA	not sellable
	12990065	NUT, FLANGED NYLOCK, 3/8-16 Z5	7.00 EA	not sellable
	12990066	NUT, FLANGED NYLOCK, 5/16-18 Z5	4.00 EA	not sellable
	13990010	WASHER, FLAT USS 5/16 Z5	1.00 EA	not sellable
	13990032	WASHER 1/2 X 2 X 0.062 Z5	1.00 EA	not sellable
	13990071	WASHER, BELLEVILLE, M7 X .066OD X .07	2.00 EA	not sellable
	13990072	WASHER, FLAT, HARDENED STEEL, M6 X 1	2.00 EA	not sellable
	15990004	MACHINE KEY 5MM X 5MM X 25MM	2.00 EA	not sellable
	15990014	CABLE TIE, 11IN	3.00 EA	not sellable
	16460009	SPRING, DIE, 2.5	1.00 EA	not sellable
	17470003	GROMMET, 1.0 X 1.375 X 0.1875	2.00 EA	not sellable
	24420074	CONTROL ROD ASSY, WSZK CLUTCH STOP	1.00 EA	not sellable
	25470013	IDLER ARM MOUNTING SPACER	1.00 EA	not sellable
	71460094	PULLEY, FLAT IDLER, 5 X 1 1/4, SHORT LIP	1.00 EA	not sellable
	71460166	PULLEY, SNGL SPLIT, A/B, 17MM X 5.5 OD	2.00 EA	not sellable
	71460195	BELT, DRIVE, 5L 59.53EL	1.00 EA	not sellable
	93410407	ENGINE DECK WELDMENT, WSZK	1.00 EA	not sellable
	93410420	ENGINE DECK BUMPER, WSZK	2.00 EA	not sellable
	93410485	ENGINE DECK AIR DIVERTER	1.00 EA	not sellable
	93410504	CLUTCH STOP, OGURA, WSZK	1.00 EA	not sellable
	98410163	IDLER ARM ASSEMBLY, 4.25	1.00 EA	not sellable

WMI09049

CUTTER DECK, 52, WSZK (not sellable)



 The Information contained in this drawing is the sole property of Wright MFG., INC. Any Reproduction in part or whole without the written permission of Wright MFG., INC is prohibited

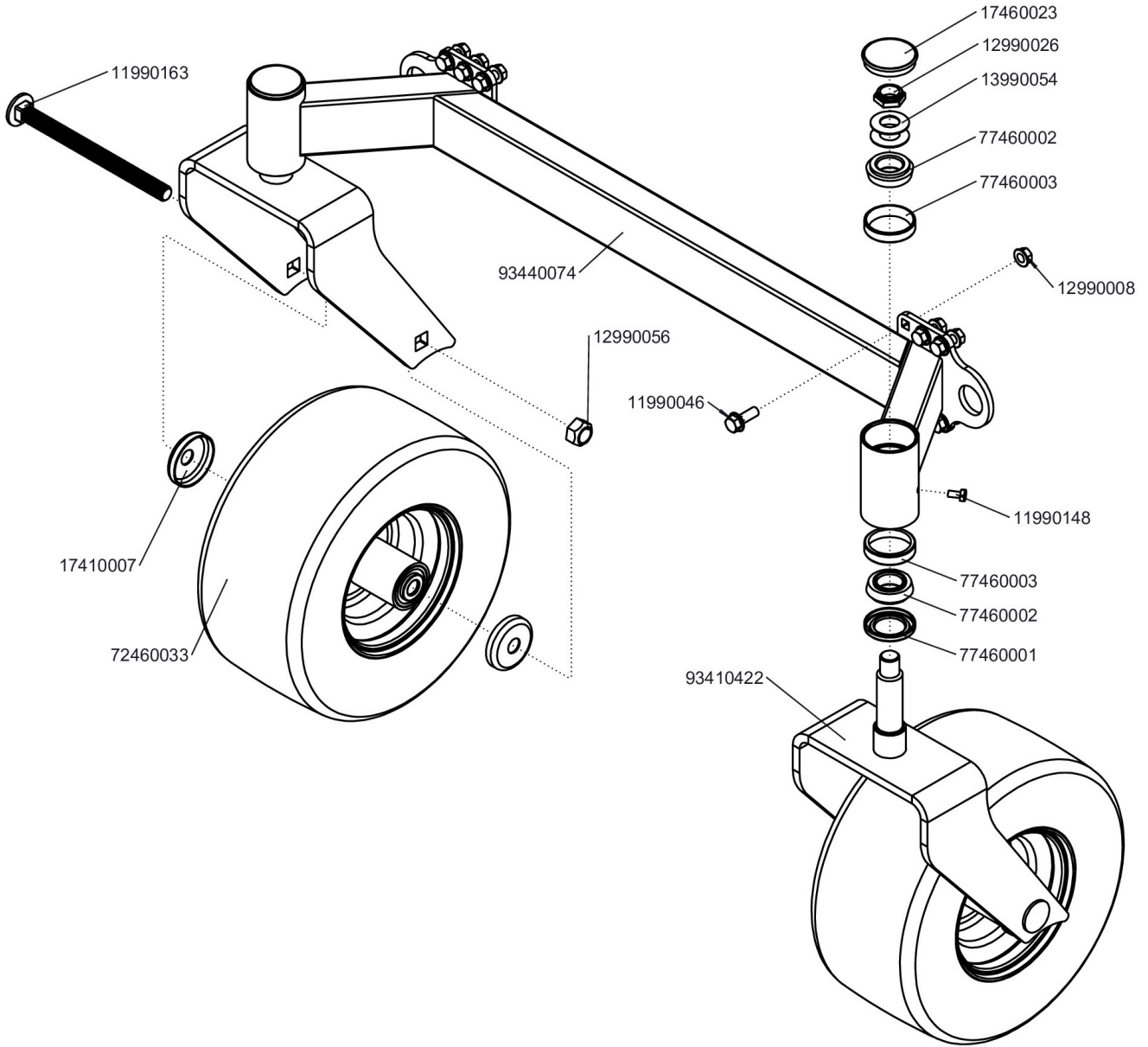
WMI09049				
CUTTER DECK, 52, WSZK (not sellable)				
Reference	Part Number	Description	Quantity	Sellable
	11990012	BOLT, FLANGE 5/16-18 X 3/4 Z5	4.00 EA	not sellable
	11990013	BOLT, FLANGE 5/16-18 X 1 Z5	6.00 EA	not sellable
	11990014	BOLT, HEX 5/8-11 X 10 Z5	3.00 EA	not sellable
	11990068	BOLT, HEX 3/8-16 X 2 1/4 Z5	1.00 EA	not sellable
	11990090	BOLT, HEX, 1/4-20X1 P8	4.00 EA	not sellable
	11990114	BOLT, HEX 3/8-16 X 3 1/4 Z5	1.00 EA	not sellable
	11990129	BOLT, CARRIAGE 3/8-16 X 1 1/4 Z5	12.00 EA	not sellable
	11990134	BOLT, CARRIAGE 1/2-13 X3 1/2 Z5	2.00 EA	not sellable
	11990161	BOLT, HEX, FULL THREADED 1/4-20 X 1 1/2 P8	2.00 EA	not sellable
	12990003	NUT, HEX, 5/8-11 Z5	3.00 EA	not sellable
	12990007	NUT, FLANGE 5/16-18 Z5	10.00 EA	not sellable
	12990017	NUT, HEX, CENTERLOCK 1/2-13NC	2.00 EA	not sellable
	12990065	NUT, FLANGED NYLOCK, 3/8-16 Z5	14.00 EA	not sellable
	13990007	BLADE SPACER, 5/8 X 1/4	18.00 EA	not sellable
	13990032	WASHER 1/2 X 2 X 0.062 Z5	2.00 EA	not sellable
	13990041	WASHER 3/8 X 1 1/2 X 0.15 Z5	8.00 EA	not sellable
	13990076	WASHER, BELLEVILLE, .692 X 2.0 OD X 0.125	3.00 EA	not sellable
	15990003	MACHINE KEY 1/4 X 1/4 X 1	3.00 EA	not sellable
	16460009	SPRING, DIE, 2.5	2.00 EA	not sellable
	17460002	CAP, VINYL 3/8 X 1	2.00 EA	not sellable
	17460012	BUMPER, RUBBER, BLACK	4.00 EA	not sellable
	18410012	KNOB, PLASTIC, T	4.00 EA	not sellable
	22420006	BORE ADAPTER, 30MM	1.00 EA	not sellable
	22420007	BORE ADAPTER 30 MM X 1.319 L	1.00 EA	not sellable
	25470013	IDLER ARM MOUNTING SPACER	2.00 EA	not sellable
	71440001	BLADE, 18	3.00 EA	not sellable
	71460013	BELT, WRAPPED, B SECTION 88.04 EL	1.00 EA	not sellable
	71460065	BELT, WRAPPED, B SECTION 57.04 EL	1.00 EA	not sellable
	71460098	PULLEY, FLAT IDLER, 6 X 1 1/8	2.00 EA	not sellable
	71460111	BUSHING, H, SPLIT TAPERED, MODIFIED, 1	3.00 EA	not sellable
	71460136	SPINDLE ASSY, THRU BOLT	3.00 EA	not sellable
	71460143	PULLEY, SINGLE SPLIT, B, H BUSH X 6	2.00 EA	not sellable
	71460144	PULLEY, DOUBLE SPLIT, B, H BUSH X 6, 1IN SPACING	1.00 EA	not sellable
	93440060	FRONT BAFFLE, 52 AERO-CORE, TRIM	1.00 EA	not sellable
	93440061	FRONT BAFFLE, 52 AERO-CORE, DISCHARGE	1.00 EA	not sellable
	93440101	CUTTER DECK WELDMENT, 52 WSZK	1.00 EA	not sellable
	98440010	DECK COVER, ASSEMBLY, LEFT, 52	1.00 EA	not sellable
	98440011	DECK COVER, ASSEMBLY, RIGHT, 52	1.00 EA	not sellable

WMI09049**CUTTER DECK, 52, WSZK (not sellable)**

Reference	Part Number	Description	Quantity	Sellable
	98460047	IDLER ARM ASSY, LEFT	2.00 EA	not sellable
	98460052	FLEXIBLE CHUTE DEFLECTOR ASSEMBLY	1.00 EA	not sellable
	98460059	ADD-ON, STRIPING KIT, 48/52 AERO-CORE	1.00 EA	not sellable
	98460076	ANTISCALP ASSEMBLY, TRIM	1.00 EA	not sellable
	98460077	ANTISCALP ASSEMBLY, FRONT	2.00 EA	not sellable
	98460078	ANTISCALP ASSEMBLY, REAR	2.00 EA	not sellable

WMI09012

CASTER, 52, ZK (not sellable)



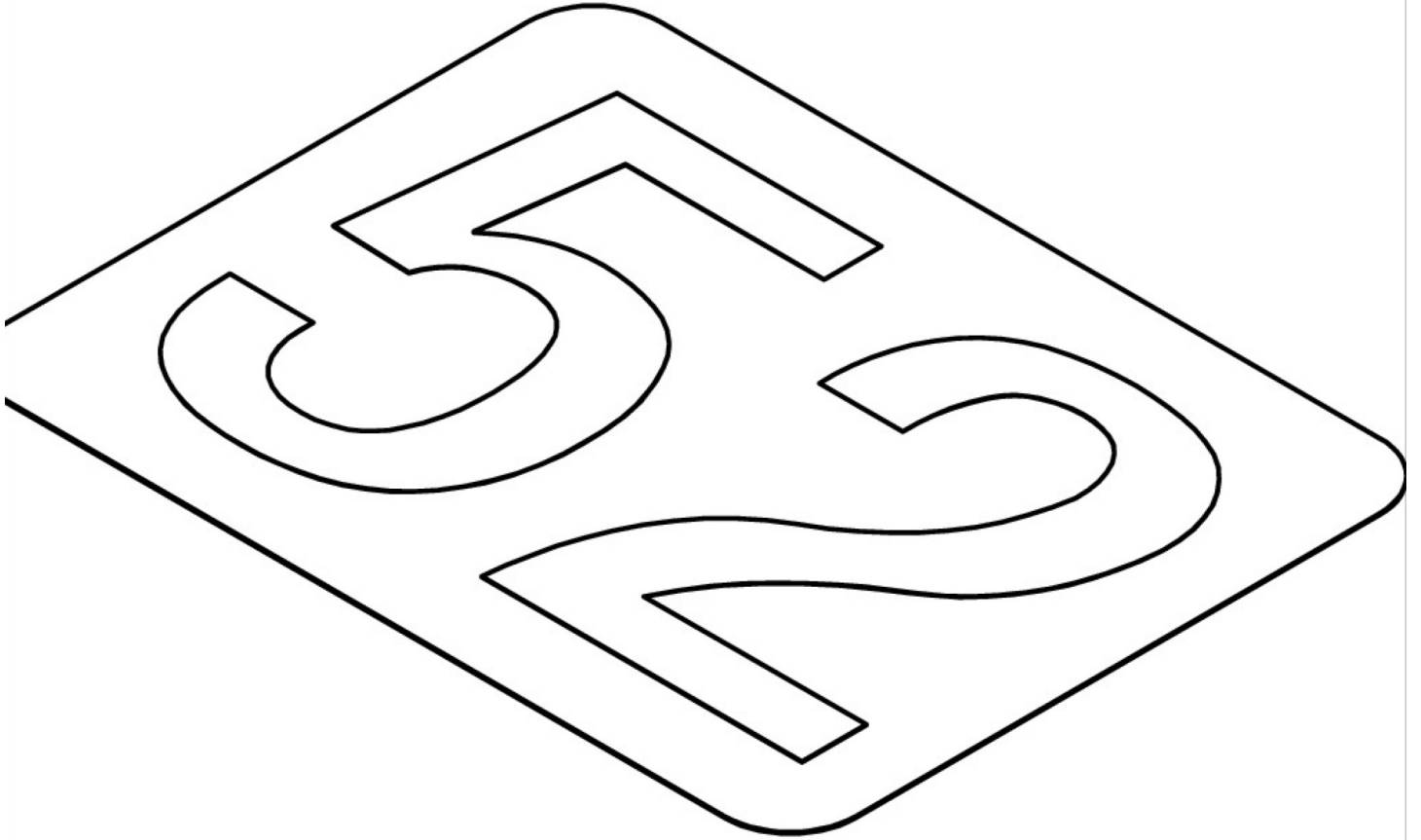
REVISIONS

REV.	DESCRIPTION	ECO #	DATE	By
------	-------------	-------	------	----

WMI09012				
CASTER, 52, ZK (not sellable)				
Reference	Part Number	Description	Quantity	Sellable
	11990046	BOLT, FLANGE, SERRATED 3/8-16 X 1 Z8	12.00 EA	not sellable
	11990148	BOLT, HEX 1/4-28 X 1/2 Z5	2.00 EA	not sellable
	11990163	BOLT, CARRIAGE 5/8-11 X 8 Z5	2.00 EA	not sellable
	12990008	NUT, FLANGE 3/8-16 Z5	12.00 EA	not sellable
	12990026	NUT, NYLOCK, JAM 3/4-10 Z5	2.00 EA	not sellable
	12990056	NUT, TOPLOCK 5/8-11Z	2.00 EA	not sellable
	13990054	WASHER, BELVILLE 3/4 ID X 1 1/2 OD X .05	4.00 EA	not sellable
	17410007	CASTER WHEEL BEARING SHEILD	4.00 EA	not sellable
	17460023	DUST CAP, METAL, LOW PROFILE	2.00 EA	not sellable
	72460033	WHEEL ASSY, CASTER, 13 X 6.50 - 6, BALL BRG	2.00 EA	not sellable
	77460001	SEAL, GREASE, CASTER ARM	2.00 EA	not sellable
	77460002	BEARING, TAPERED, CASTER ARM	4.00 EA	not sellable
	77460003	BEARING RACE, CASTER ARM	4.00 EA	not sellable
	93410422	CASTER YOKE, WIDTH, 6.63 WSZK	2.00 EA	not sellable
	93440074	CASTER FRAME WELDMENT, 52 WZK	1.00 EA	not sellable

76490007

DECAL, 52IN DECK SIZE (sellable)



The Information contained in this drawing is the sole property of Wright MFG ., INC. Any Reproduction in part or whole without the written permission of Wright MFG ., INC is prohibited