

# WSB52SFS651E1B - WM STAND B 52 KAW FS651E ELEC

Generated: 16/06/2021

**This generated parts list may be out of date.**

For up-to-date information, please visit <https://parts.wrightmfg.com/>

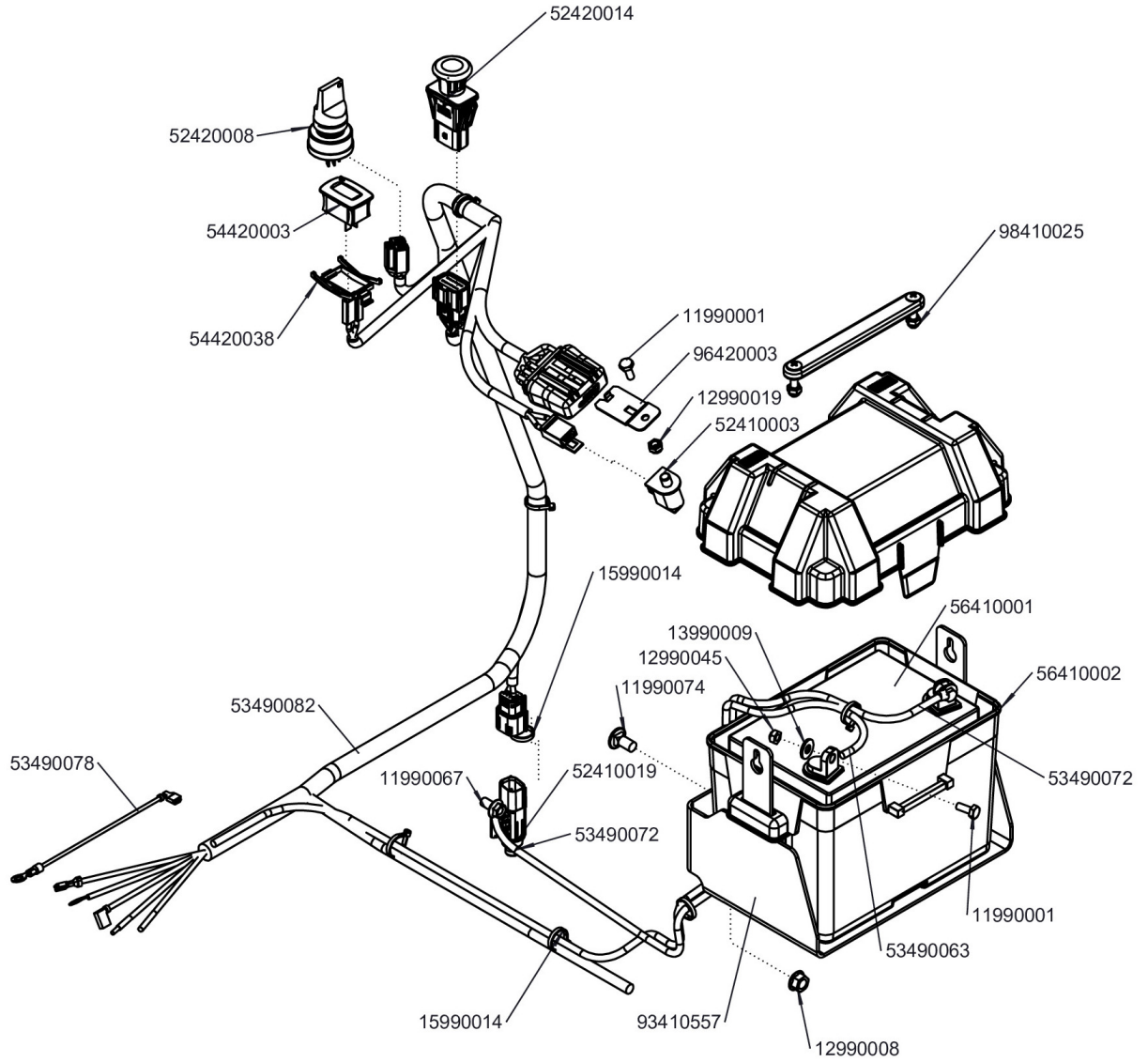


**WM STAND B 52 KAW FS651E ELEC  
WSB52SFS651E1B**

Reference	Part Number	Description	Quantity	Sellable
	WMI08012	ELECTRICAL, WSB, 48/52	1.00 EA	not sellable
	WMI08004	TRACTOR, WSB, 48/52	1.00 EA	not sellable
	WMI08008	UPRIGHT, WSB, 48/52	1.00 EA	not sellable
	WMI08005	DECK LIFT, WSB, 48/52	1.00 EA	not sellable
	WMI08009	ENGINE, FS651, ELECTRIC	1.00 EA	not sellable
	WMI08027	CONSOLE, WSB 48/52	1.00 EA	not sellable
	WMI08002	CUTTER DECK, 52, WSB	1.00 EA	not sellable
	WMI08006	REAR DRIVE, WSB, 48/52	2.00 EA	not sellable
	WMI08010	DECAL, WSB, 48/52	1.00 EA	not sellable
	WMI08011	FUEL, WSB	1.00 EA	not sellable
	WMI08029	ENGINE, FS651V, ELECTRIC	1.00 EA	not sellable
	WMI08003	CASTER, WSB, PNEUMATIC	2.00 EA	not sellable
	WMI08007	HYDRO, WSB, 48/52	1.00 EA	not sellable
	76490007	DECAL, 52IN DECK SIZE	1.00 EA	sellable

# WMI08012

## ELECTRICAL, WSB, 48/52 (not sellable)



The information contained in this drawing is the sole property of Wright MFG., INC. Any reproduction in part or whole without the written permission of Wright MFG., INC is prohibited

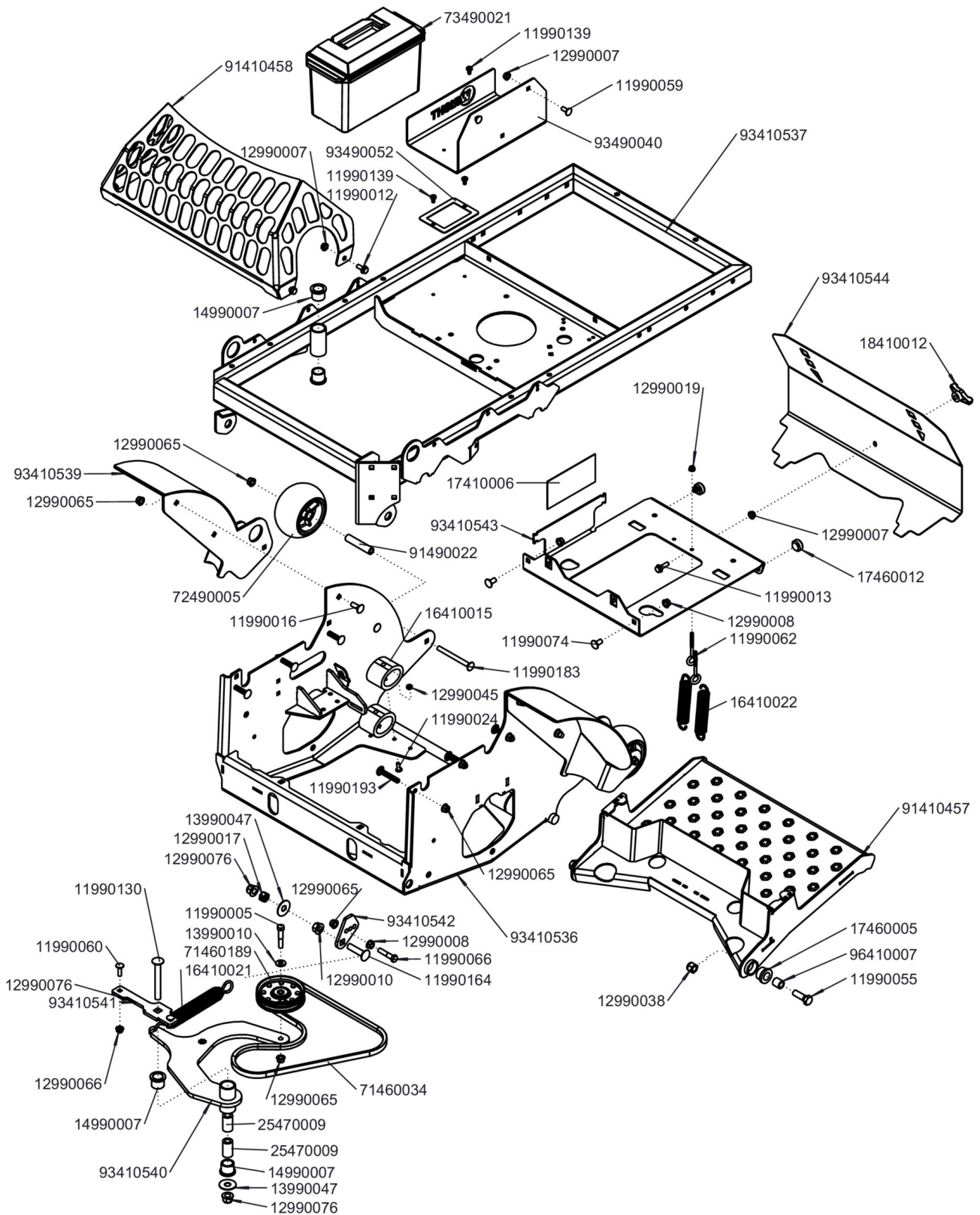
**WMI08012****ELECTRICAL, WSB, 48/52 (not sellable)**


Reference	Part Number	Description	Quantity	Sellable
	11990001	BOLT, HEX 1/4-20 X 5/8 Z	3.00 EA	not sellable
	11990067	BOLT, FLANGE M8-1.25 X 16mm Z10.9	1.00 EA	not sellable
	11990074	BOLT, CARRIAGE, SHORT NECK, 3/8-16 X 3/4 Z5	2.00 EA	not sellable
	12990008	NUT, FLANGE 3/8-16 Z5	2.00 EA	not sellable
	12990019	NUT, FLANGE NYLOCK 1/4-20 Z5	1.00 EA	not sellable
	12990045	NUT, TOPLOCK 1/4-20 Z5	2.00 EA	not sellable
	13990009	WASHER, FLAT, USS 1/4 Z5	2.00 EA	not sellable
	15990014	CABLE TIE, 11IN	7.00 EA	not sellable
	52410003	SWITCH, OPC, 2 LB INT SPRING, BLK	1.00 EA	not sellable
	52410019	NO/NC SWITCH, SEALED, OPC, RAIL MOUNT	1.00 EA	not sellable
	52420008	SWITCH, IGN, ELECT START W/ BELL KEY	1.00 EA	not sellable
	52420014	SWITCH, SEALED, BLADE, ON/OFF, RED	1.00 EA	not sellable
	53490063	CABLE, BATTERY, RED 42IN	1.00 EA	not sellable
	53490072	CABLE, BATTERY, BLACK, 32IN	1.00 EA	not sellable
	53490078	CHARGE WIRE, ENGINE CARBURETED, KAWASAKI	1.00 EA	not sellable
	53490082	HARNESS, ELECTRIC START, INTEGRATED	1.00 EA	not sellable
	54420003	HOUR METER, DIGITAL	1.00 EA	not sellable
	54420038	RETAINER, HOUR METER	1.00 EA	not sellable
	56410001	BATTERY, 12V 300 CCA MAINT FREE	1.00 EA	not sellable
	56410002	BATTERY CASE BASE AND LID	1.00 EA	not sellable
	93410557	11GA BATTERY BOX, WSB	1.00 EA	not sellable
	96420003	FUSE BOX BRACKET	1.00 EA	not sellable
	98410025	BATTERY STRAP	1.00 EA	not sellable



# WMI08004

## TRACTOR, WSB, 48/52 (not sellable)



 The Information contained in this drawing is the sole property of Wright MFG., INC. Any Reproduction in part or whole without the written permission of Wright MFG., INC is prohibited

**WMI08004****TRACTOR, WSB, 48/52 (not sellable)**

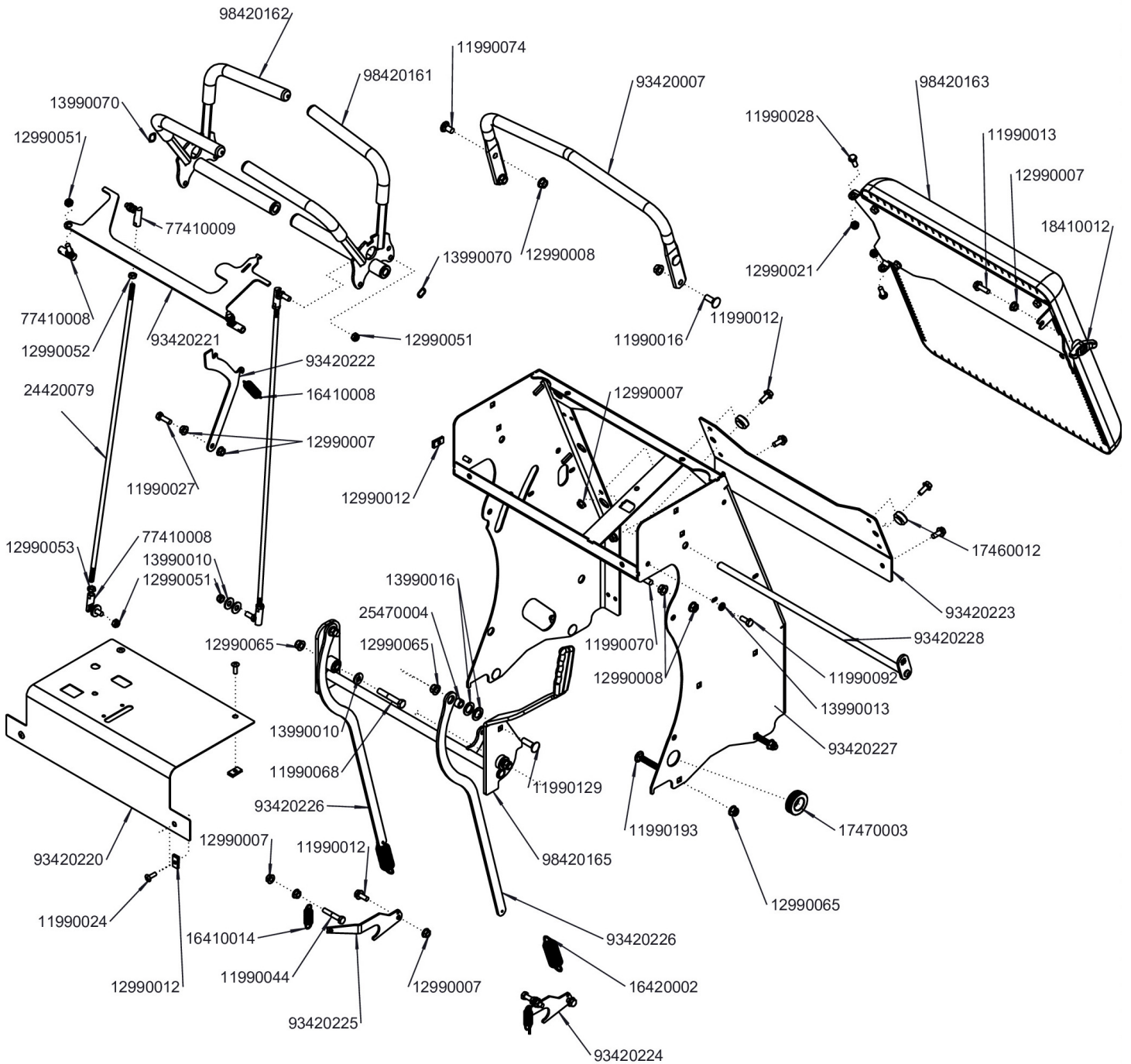
Reference	Part Number	Description	Quantity	Sellable
	11990005	BOLT, HEX 3/8-16 X 2 Z5	1.00 EA	not sellable
	11990012	BOLT, FLANGE 5/16-18 X 3/4 Z5	4.00 EA	not sellable
	11990013	BOLT, FLANGE 5/16-18 X 1 Z5	1.00 EA	not sellable
	11990016	BOLT, CARRIAGE 3/8-16 X 1 Z5	4.00 EA	not sellable
	11990024	SCREW, TRUSS HD, PHILIPS 1/4-20 X 3/4 SS	4.00 EA	not sellable
	11990055	BOLT, HEX 1/2-20 X 1 1/2 Z5	2.00 EA	not sellable
	11990059	BOLT, CARRIAGE 5/16-18 X 3/4 Z5	2.00 EA	not sellable
	11990060	BOLT, CARRIAGE 5/16-18 X 1 Z5	2.00 EA	not sellable
	11990062	BOLT, EYE 1/4-20 X 2 1/2 Z	2.00 EA	not sellable
	11990066	BOLT, HEX 3/8-16 X 1 3/4 Z5	1.00 EA	not sellable
	11990074	BOLT, CARRIAGE, SHORT NECK, 3/8-16 X 3/4 Z5	2.00 EA	not sellable
	11990130	BOLT, CARRIAGE 1/2-13 X 4 Z5	1.00 EA	not sellable
	11990139	BOLT, TORX PLUS 1/4-20 X 1/2 TT 2000	3.00 EA	not sellable
	11990164	BOLT, CARRIAGE 1/2-13 X 2 Z5	1.00 EA	not sellable
	11990183	BOLT, CARRIAGE, 3/8-16 X 4 Z5	2.00 EA	not sellable
	11990193	BOLT, CARRIAGE, 3/8 - 16 X 2 1/4 Z5	6.00 EA	not sellable
	12990007	NUT, FLANGE 5/16-18 Z5	7.00 EA	not sellable
	12990008	NUT, FLANGE 3/8-16 Z5	3.00 EA	not sellable
	12990010	NUT, FLANGE 1/2-13 Z5	1.00 EA	not sellable
	12990017	NUT, HEX, CENTERLOCK 1/2-13NC	1.00 EA	not sellable
	12990019	NUT, FLANGE NYLOCK 1/4-20 Z5	2.00 EA	not sellable
	12990038	NUT, NYLOCK 1/2-20 Z5	2.00 EA	not sellable
	12990045	NUT, TOPLOCK 1/4-20 Z5	4.00 EA	not sellable
	12990065	NUT, FLANGED NYLOCK, 3/8-16 Z5	14.00 EA	not sellable
	12990066	NUT, FLANGED NYLOCK, 5/16-18 Z5	2.00 EA	not sellable
	12990076	NUT, FLANGED NYLOCK, 1/2-13	2.00 EA	not sellable
	13990010	WASHER, FLAT USS 5/16 Z5	1.00 EA	not sellable
	13990047	WASHER, FENDER 1/2 X 1-1/2 X 16GA Z	2.00 EA	not sellable
	14990007	BUSHING, SYNTHETIC, 7/8ID X 1.14OD X 1	4.00 EA	not sellable
	16410015	ELASTOMER, RADIAL BUMPER	4.00 EA	not sellable
	16410021	EXTENSION SPRING, SWIVEL, 1.31 X 9.5	1.00 EA	not sellable
	16410022	SPRING, EXTENSION, 0.148 x 1.0 x 5.39	2.00 EA	not sellable
	17410006	NITRIL SHEET, PROTECTOR, 3 X 6 X 1/16	1.00 EA	not sellable
	17460005	BUSHING, URATHANE 3/4 X 1 1/8 X 3/4	2.00 EA	not sellable
	17460012	BUMPER, RUBBER, BLACK	4.00 EA	not sellable
	18410012	KNOB, PLASTIC, T	1.00 EA	not sellable
	25470009	PM, ZINC, 0.875 X .188 X 1.5	2.00 EA	not sellable
	71460034	BELT, EPDM, A SECTION 50.25 EL	1.00 EA	not sellable
	71460189	PULLEY, IDLER, 4 X 3/4 X 3/8 BORE, SHORT LIP	1.00 EA	not sellable
	72490005	WHEEL, PLASTIC, HOOSIER, SPHERICAL, 5IN	2.00 EA	not sellable

**WMI08004****TRACTOR, WSB, 48/52 (not sellable)**

Reference	Part Number	Description	Quantity	Sellable
	73490021	GEAR BOX, SMALL,FLAMBEAU	1.00 EA	not sellable
	91410457	PLATFORM, WSB	1.00 EA	not sellable
	91410458	11GA HEAT SHIELD, WSB	1.00 EA	not sellable
	91490022	DOM, BLACK, 0.625 X 0.120 X 3.000	2.00 EA	not sellable
	93410536	TRACTOR LOWER, WSB	1.00 EA	not sellable
	93410537	FRAME UPPER, WSB	1.00 EA	not sellable
	93410538	FENDER WELDMENT, TRIM, WSB	1.00 EA	not sellable
	93410539	FENDER WELDMENT, DISCHARGE, WSB	1.00 EA	not sellable
	93410540	ENGINE IDLER, WSB	1.00 EA	not sellable
	93410541	1/4 IDLER ARM SUPPORT PLATE, WSB	1.00 EA	not sellable
	93410542	1/4 IDLER SPRING SUPPORT PLATE, WSB	1.00 EA	not sellable
	93410543	11GA FUEL TANK SUPPORT PLATE, WSB	1.00 EA	not sellable
	93410544	14GA TOE PLATE, WSB	1.00 EA	not sellable
	93490040	TOOL BOX BOTTOM	1.00 EA	not sellable
	93490052	SERIAL LABEL COVER	1.00 EA	not sellable
	96410007	PM, ZINC 0.73 X 0.50 X 0.75	2.00 EA	not sellable

# WMI08008

## UPRIGHT, WSB, 48/52 (not sellable)



 The information contained in this drawing is the sole property of Wright MFG., INC. Any reproduction in part or whole without the written permission of Wright MFG., INC is prohibited

**WMIO8008****UPRIGHT, WSB, 48/52 (not sellable)**

Reference	Part Number	Description	Quantity	Sellable
	11990012	BOLT, FLANGE 5/16-18 X 3/4 Z5	6.00 EA	not sellable
	11990013	BOLT, FLANGE 5/16-18 X 1 Z5	1.00 EA	not sellable
	11990016	BOLT, CARRIAGE 3/8-16 X 1 Z5	1.00 EA	not sellable
	11990024	SCREW, TRUSS HD, PHILIPS 1/4-20 X 3/4 SS	4.00 EA	not sellable
	11990027	BOLT, HEX 5/16-18 X 1 Z5	1.00 EA	not sellable
	11990028	BOLT, HEX 5/16-18 X 3/4 Z5	2.00 EA	not sellable
	11990044	BOLT, HEX 5/16-18 X 1 3/4 Z5	2.00 EA	not sellable
	11990068	BOLT, HEX 3/8-16 X 2 1/4 Z5	2.00 EA	not sellable
	11990070	BOLT, HEX 3/8-16 X 1 1/2 Z5	1.00 EA	not sellable
	11990074	BOLT, CARRIAGE, SHORT NECK, 3/8-16 X 3/4 Z5	3.00 EA	not sellable
	11990092	BOLT, HEX 5/16-24 X 3/4 Z5	2.00 EA	not sellable
	11990129	BOLT, CARRIAGE 3/8-16 X 1 1/4 Z5	2.00 EA	not sellable
	11990193	BOLT, CARRIAGE, 3/8 - 16 X 2 1/4 Z5	4.00 EA	not sellable
	12990007	NUT, FLANGE 5/16-18 Z5	13.00 EA	not sellable
	12990008	NUT, FLANGE 3/8-16 Z5	6.00 EA	not sellable
	12990012	NUT, U, 1/4-20, 11GA	6.00 EA	not sellable
	12990021	NUT, NYLOCK 5/16-18 Z5	2.00 EA	not sellable
	12990051	NUT, NYLOCK 5/16-24 Z5	6.00 EA	not sellable
	12990052	NUT, JAM, 5/16-24, LH, Z	2.00 EA	not sellable
	12990053	NUT, JAM, 5/16-24 Z	2.00 EA	not sellable
	12990065	NUT, FLANGED NYLOCK, 3/8-16 Z5	8.00 EA	not sellable
	13990010	WASHER, FLAT USS 5/16 Z5	6.00 EA	not sellable
	13990013	WASHER, LOCK 5/16 Z5	2.00 EA	not sellable
	13990016	MACH BUSH 5/8ID X 1.0OD X 14GA	4.00 EA	not sellable
	13990070	TRIPLE WAVE WASHER, 1/2"	2.00 EA	not sellable
	16410008	SPRING, EXTENSION 5/8 X 2 1/2	1.00 EA	not sellable
	16410014	SPRING, EXTENSION 1/2 X 2	2.00 EA	not sellable
	16420002	SPRING, EXTENSION 1 X 2 3/4	2.00 EA	not sellable
	17460012	BUMPER, RUBBER, BLACK	2.00 EA	not sellable
	17470003	GROMMET, 1.0 X 1.375 X 0.1875	1.00 EA	not sellable
	18410012	KNOB, PLASTIC, T	1.00 EA	not sellable
	24420079	ROD, THREADED 5/16-24 x 26.3125	2.00 EA	not sellable
	25470004	PM, ZINC, 0.625 X 0.125 X 0.375	2.00 EA	not sellable
	77410008	ROD END, 5/16-24	4.00 EA	not sellable
	77410009	ROD END, 5/16-24 LH	2.00 EA	not sellable
	93420007	STATIONARY HANDLEBAR	1.00 EA	not sellable
	93420220	16GA INSTRUMENT PANEL DASH, WSB	1.00 EA	not sellable
	93420221	CONTROL LEVER LOCK	1.00 EA	not sellable
	93420222	BRAKE INTERLOCK LINK	1.00 EA	not sellable
	93420223	11GA UPRIGHT BACK BRACE WSB	1.00 EA	not sellable

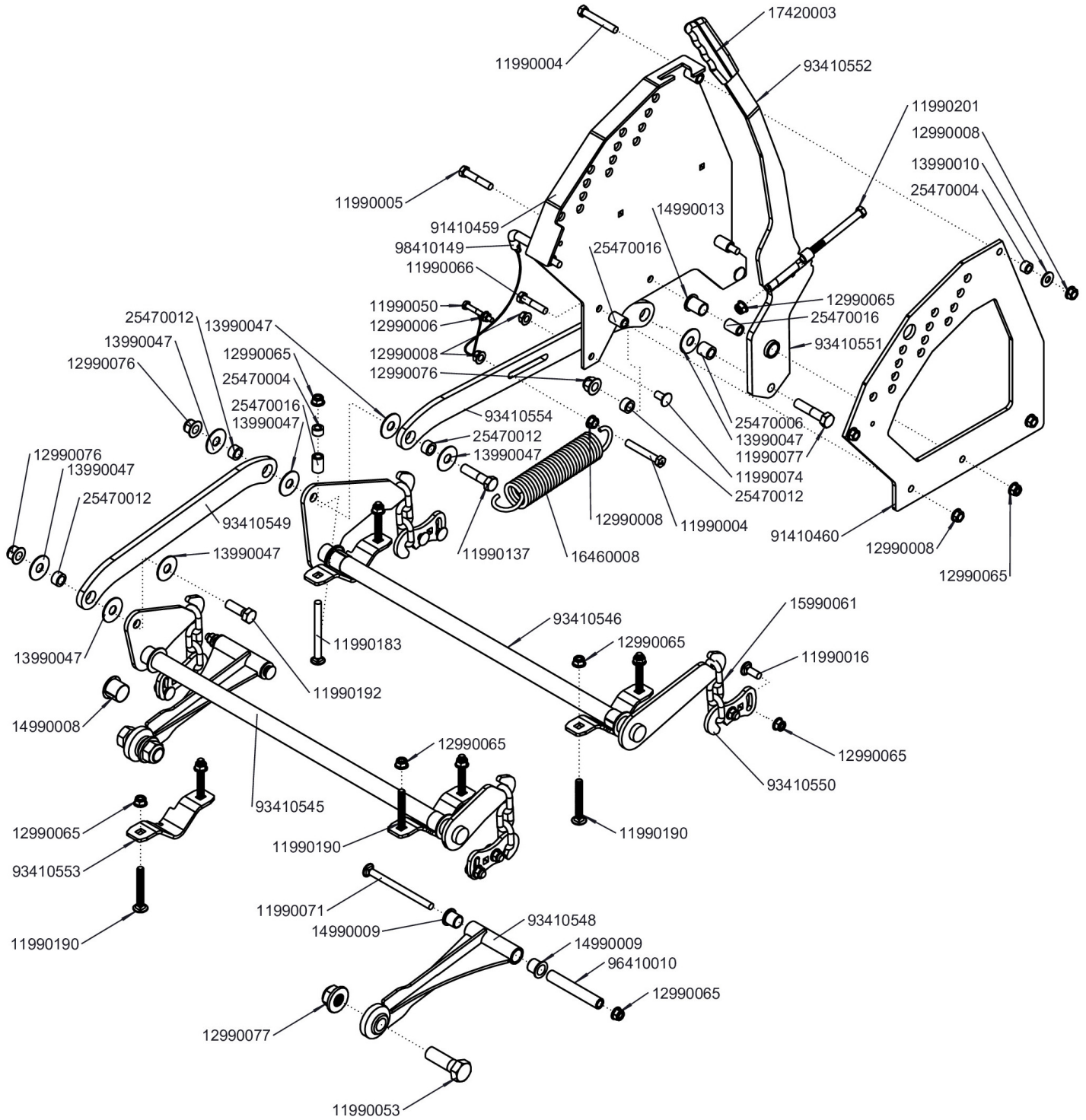
**WMIO8008****UPRIGHT, WSB, 48/52 (not sellable)**

Reference	Part Number	Description	Quantity	Sellable
	93420224	11GA BRAKE ARM, LEFT, WSB	1.00 EA	not sellable
	93420225	11GA BRAKE ARM, RIGHT, WSB	1.00 EA	not sellable
	93420226	BRAKE PULL BAR, WSB	2.00 EA	not sellable
	93420227	UPRIGHT WELDMENT, WSB	1.00 EA	not sellable
	93420228	CONTROLS THROUGH PIN WELDMENT, WSB	1.00 EA	not sellable
	98420161	CONTROL LEVER ASSEMBLY, LEFT, WSB	1.00 EA	not sellable
	98420162	CONTROL LEVER ASSEMBLY, RIGHT, WSB	1.00 EA	not sellable
	98420163	UPRIGHT PAD ASSEMBLY, WSB	1.00 EA	not sellable
	98420165	BRAKE ASSEMBLY, WSB	1.00 EA	not sellable



# WMI08005

## DECK LIFT, WSB, 48/52 (not sellable)



 The information contained in this drawing is the sole property of Wright MFG., INC. Any reproduction in part or whole without the written permission of Wright MFG., INC is prohibited

**WMI08005****DECK LIFT, WSB, 48/52 (not sellable)**

Reference	Part Number	Description	Quantity	Sellable
	11990004	BOLT, HEX 3/8-16 X 2 1/2 Z5	2.00 EA	not sellable
	11990005	BOLT, HEX 3/8-16 X 2 Z5	1.00 EA	not sellable
	11990016	BOLT, CARRIAGE 3/8-16 X 1 Z5	8.00 EA	not sellable
	11990050	BOLT, HEX 1/4-20 X 2 Z5	1.00 EA	not sellable
	11990053	BOLT, HEX 3/4-10 X 2 1/4 Z5	2.00 EA	not sellable
	11990066	BOLT, HEX 3/8-16 X 1 3/4 Z5	3.00 EA	not sellable
	11990071	BOLT, CARRIAGE 3/8-16 X 5 Z5	2.00 EA	not sellable
	11990074	BOLT, CARRIAGE, SHORT NECK, 3/8-16 X 3/4 Z5	2.00 EA	not sellable
	11990077	BOLT, HEX 1/2-13 X 2 1/4 Z5	1.00 EA	not sellable
	11990137	BOLT, HEX 1/2-13 X2 Z5	1.00 EA	not sellable
	11990183	BOLT, CARRIAGE, 3/8-16 X 4 Z5	1.00 EA	not sellable
	11990190	BOLT, CARRIAGE, 3/8 - 16 X 2 3/4 Z5	7.00 EA	not sellable
	11990192	BOLT, HEX, 1/2-13 X 1.5	1.00 EA	not sellable
	11990201	BOLT, HEX 3/8 - 16 X 4 Z5	1.00 EA	not sellable
	12990006	NUT, FLANGE 1/4-20 Z5	1.00 EA	not sellable
	12990008	NUT, FLANGE 3/8-16 Z5	8.00 EA	not sellable
	12990065	NUT, FLANGED NYLOCK, 3/8-16 Z5	20.00 EA	not sellable
	12990076	NUT, FLANGED NYLOCK, 1/2-13	3.00 EA	not sellable
	12990077	NUT, FLANGED NYLOCK, 3/4-10 Z5	2.00 EA	not sellable
	13990010	WASHER, FLAT USS 5/16 Z5	1.00 EA	not sellable
	13990047	WASHER, FENDER 1/2 X 1-1/2 X 16GA Z	8.00 EA	not sellable
	14990008	BUSHING, SPLIT, 1.0 X 0.875	4.00 EA	not sellable
	14990009	BUSHING, SYNTHETIC, 0.75 x 0.63, RED	4.00 EA	not sellable
	14990013	BUSHING, SYNTHETIC, 5/8 ID X 3/4 OD X 1	1.00 EA	not sellable
	15990061	CHAIN, 5/16 X 3 LINK	4.00 EA	not sellable
	16460008	SPRING, DECK LIFT 1.7 X 9	1.00 EA	not sellable
	17420003	GRIP, BRAKE HANDLE	1.00 EA	not sellable
	25470004	PM, ZINC, 0.625 X 0.125 X 0.375	2.00 EA	not sellable
	25470006	PM, ZINC, 0.750 X 0.125 X 0.750	1.00 EA	not sellable
	25470012	PM, ZINC, 0.750 X 0.125 X 0.406	4.00 EA	not sellable
	25470016	PM, SS, 0.625 X 0.120 X 1.0	6.00 EA	not sellable
	91410459	HOC OUTER PLATE, WSB	1.00 EA	not sellable
	91410460	HOC INNER PLATE, WSB	1.00 EA	not sellable
	93410545	FRONT DECK LIFT AXLE, WSB	1.00 EA	not sellable
	93410546	REAR DECK LIFT AXLE, WSB	1.00 EA	not sellable
	93410548	CONTROL ARM WELDMENT, 9 IN	2.00 EA	not sellable
	93410549	FRONT PUSH PLATE, WSB	1.00 EA	not sellable
	93410550	DECK ADJUSTER, 5/16 CHAIN	4.00 EA	not sellable
	93410551	DECK LIFT HANDLE, LOWER, WSB	1.00 EA	not sellable
	93410552	DECK LIFT HANDLE UPPER, WSB	1.00 EA	not sellable

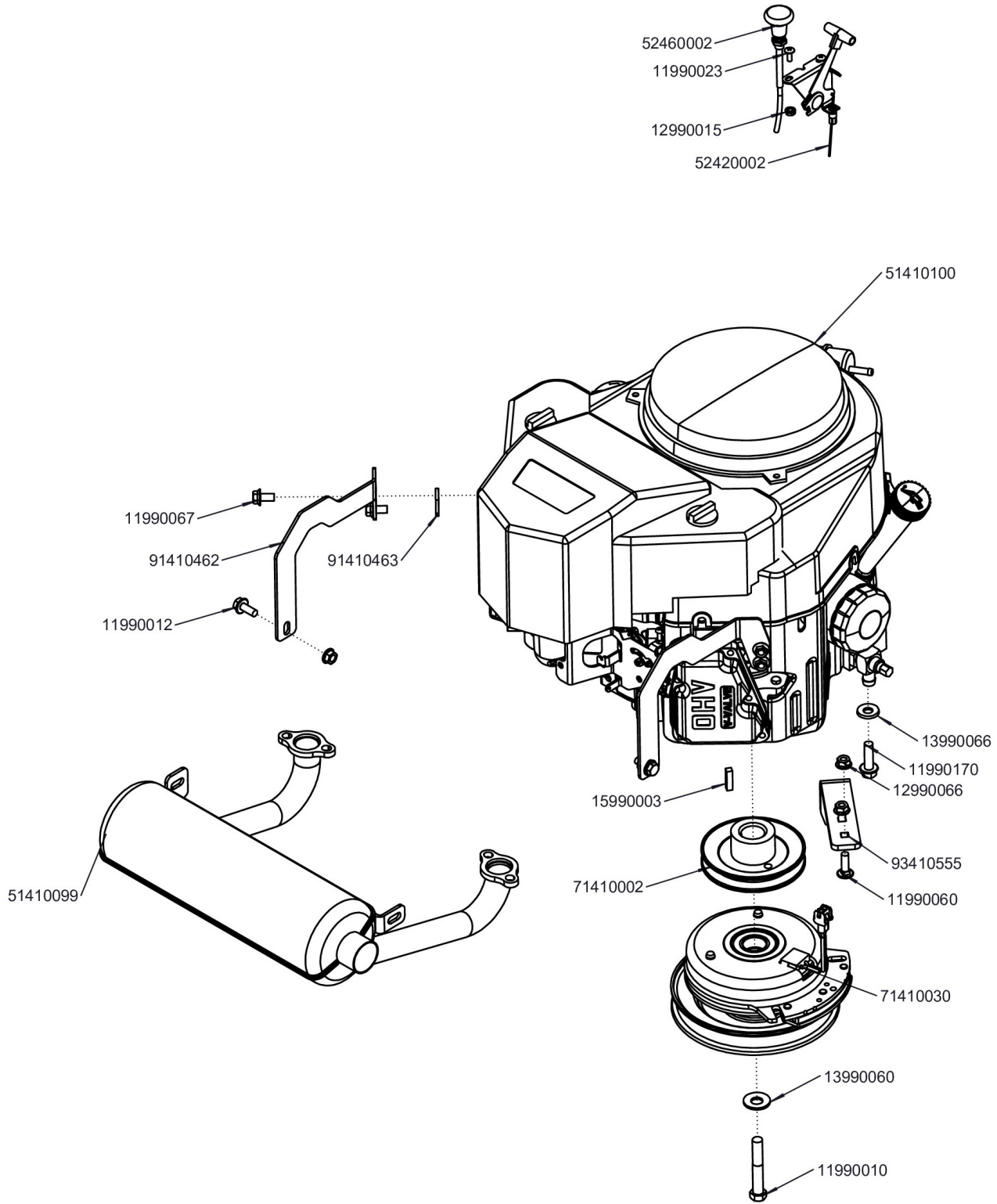


**WMIO8005****DECK LIFT, WSB, 48/52 (not sellable)**

Reference	Part Number	Description	Quantity	Sellable
	93410553	BUSHING CRADLE, WSB	4.00 EA	not sellable
	93410554	REAR PUSH PLATE, WSB	1.00 EA	not sellable
	96410010	DOM, .625 X .125 X 3.965	2.00 EA	not sellable
	98410149	PIN, HEIGHT SELECT .5 X 1.625 W LANYARD	1.00 EA	not sellable

# WMI08009

## ENGINE, FS651, ELECTRIC (not sellable)

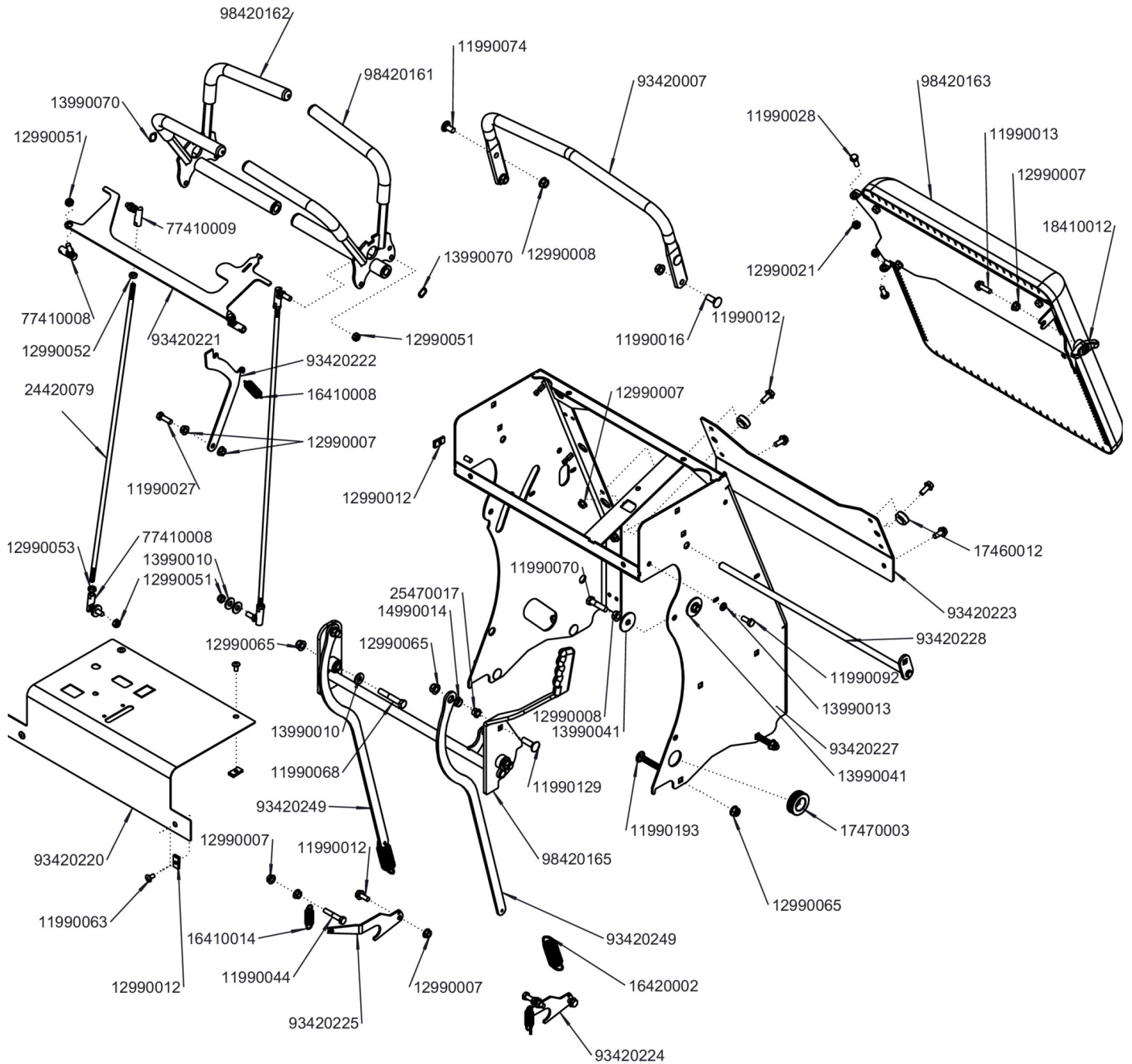


The information contained in this drawing is the sole property of Wright MFG., INC. Any reproduction in part or whole without the written permission of Wright MFG., INC is prohibited

<b>WMIO8009</b>				
<b>ENGINE, FS651, ELECTRIC (not sellable)</b>				
<b>Reference</b>	<b>Part Number</b>	<b>Description</b>	<b>Quantity</b>	<b>Sellable</b>
	11990010	BOLT, HEX 7/16-20 X 2 3/4 Z5	1.00 EA	not sellable
	11990012	BOLT, FLANGE 5/16-18 X 3/4 Z5	2.00 EA	not sellable
	11990023	SCREW, TRUSS HD, PHILIPS 10-32 X 1/2 Z	2.00 EA	not sellable
	11990060	BOLT, CARRIAGE 5/16-18 X 1 Z5	2.00 EA	not sellable
	11990067	BOLT, FLANGE M8-1.25 X 16mm Z10.9	4.00 EA	not sellable
	11990170	BOLT, FLANGE, SMOOTH 3/8-16 X 1 1/4 ZB8	4.00 EA	not sellable
	12990007	NUT, FLANGE 5/16-18 Z5	2.00 EA	not sellable
	12990015	NUT, KEP 10-32 Z	2.00 EA	not sellable
	12990066	NUT, FLANGED NYLOCK, 5/16-18 Z5	2.00 EA	not sellable
	13990060	WASHER, SPRING, 1.142OD X .512	1.00 EA	not sellable
	13990066	WASHER, SPRING, 0.945 OD X 0.413 X 0.118 X 0.146	3.00 EA	not sellable
	15990003	MACHINE KEY 1/4 X 1/4 X 1	1.00 EA	not sellable
	36490001	OIL, MOTOR SYNTHETIC SAE 15W50	128.00 OZ	not sellable
	51410099	MUFFLER, KAWASAKI 726CC HORZ HIGH MOUNT	1.00 EA	not sellable
	51410100	ENGINE, FS651	1.00 EA	not sellable
	52420002	THROTTLE CABLE	1.00 EA	not sellable
	52460002	CHOKE CABLE	1.00 EA	not sellable
	71410002	PULLEY, 4.5 X A GRV X 1 (ENGINE)	1.00 EA	not sellable
	71410030	CLUTCH, 1 X 6.75 105FT-LB CCW,#I-5219-233	1.00 EA	not sellable
	91410461	11GA MUFFLER BRACKET, TRIM, WSB	1.00 EA	not sellable
	91410462	11GA MUFFLER BRACKET, DISCHARGE, WSB	1.00 EA	not sellable
	91410463	11GA MUFFLER BRACKET, SPACER, WSB	2.00 EA	not sellable
	93410555	CLUTCH STOP, WSB	1.00 EA	not sellable

# WMI08027

## CONSOLE, WSB 48/52 (not sellable)



 The Information contained in this drawing is the sole property of Wright MFG., INC. Any Reproduction in part or whole without the written permission of Wright MFG., INC is prohibited

**WMI08027****CONSOLE, WSB 48/52 (not sellable)**

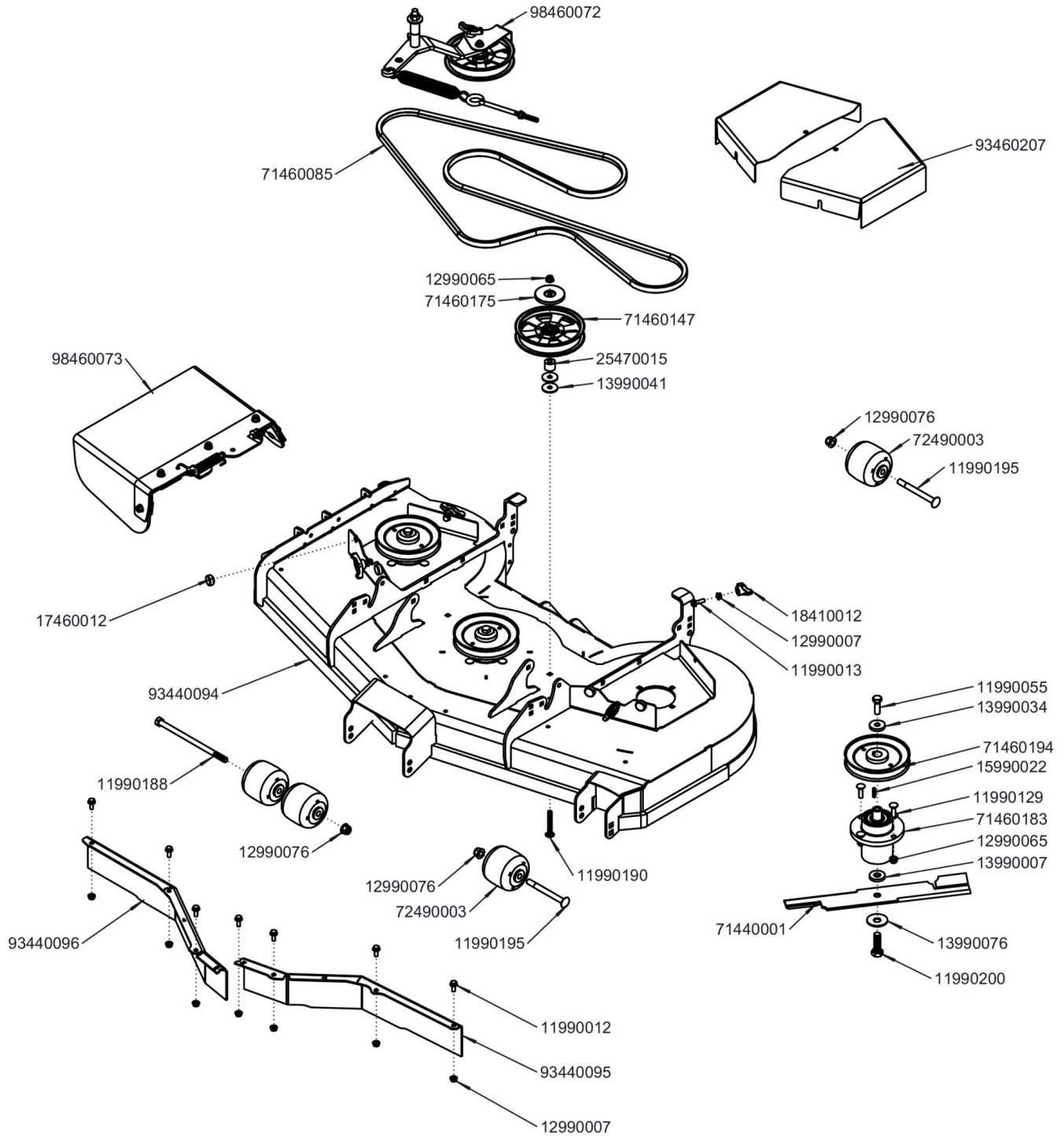
Reference	Part Number	Description	Quantity	Sellable
	11990012	BOLT, FLANGE 5/16-18 X 3/4 Z5	6.00 EA	not sellable
	11990013	BOLT, FLANGE 5/16-18 X 1 Z5	1.00 EA	not sellable
	11990016	BOLT, CARRIAGE 3/8-16 X 1 Z5	1.00 EA	not sellable
	11990027	BOLT, HEX 5/16-18 X 1 Z5	1.00 EA	not sellable
	11990028	BOLT, HEX 5/16-18 X 3/4 Z5	2.00 EA	not sellable
	11990044	BOLT, HEX 5/16-18 X 1 3/4 Z5	2.00 EA	not sellable
	11990063	SCREW, TRUSS HD, PHILIPS 1/4-20 X 1/2 SS	4.00 EA	not sellable
	11990068	BOLT, HEX 3/8-16 X 2 1/4 Z5	2.00 EA	not sellable
	11990070	BOLT, HEX 3/8-16 X 1 1/2 Z5	1.00 EA	not sellable
	11990074	BOLT, CARRIAGE, SHORT NECK, 3/8-16 X 3/4 Z5	3.00 EA	not sellable
	11990092	BOLT, HEX 5/16-24 X 3/4 Z5	2.00 EA	not sellable
	11990129	BOLT, CARRIAGE 3/8-16 X 1 1/4 Z5	2.00 EA	not sellable
	11990193	BOLT, CARRIAGE, 3/8 - 16 X 2 1/4 Z5	4.00 EA	not sellable
	12990007	NUT, FLANGE 5/16-18 Z5	13.00 EA	not sellable
	12990008	NUT, FLANGE 3/8-16 Z5	6.00 EA	not sellable
	12990012	NUT, U, 1/4-20, 11GA	6.00 EA	not sellable
	12990021	NUT, NYLOCK 5/16-18 Z5	2.00 EA	not sellable
	12990051	NUT, NYLOCK 5/16-24 Z5	6.00 EA	not sellable
	12990052	NUT, JAM, 5/16-24, LH, Z	2.00 EA	not sellable
	12990053	NUT, JAM, 5/16-24 Z	2.00 EA	not sellable
	12990065	NUT, FLANGED NYLOCK, 3/8-16 Z5	8.00 EA	not sellable
	13990010	WASHER, FLAT USS 5/16 Z5	6.00 EA	not sellable
	13990013	WASHER, LOCK 5/16 Z5	2.00 EA	not sellable
	13990041	WASHER 3/8 X 1 1/2 X 0.15 Z5	2.00 EA	not sellable
	13990070	TRIPLE WAVE WASHER, 1/2"	2.00 EA	not sellable
	14990014	BUSHING, IGUS, CLIP, 1/2 X .25	2.00 EA	not sellable
	16410008	SPRING, EXTENSION 5/8 X 2 1/2	1.00 EA	not sellable
	16410014	SPRING, EXTENSION 1/2 X 2	2.00 EA	not sellable
	16420002	SPRING, EXTENSION 1 X 2 3/4	2.00 EA	not sellable
	17460012	BUMPER, RUBBER, BLACK	2.00 EA	not sellable
	17470003	GROMMET, 1.0 X 1.375 X 0.1875	1.00 EA	not sellable
	18410012	KNOB, PLASTIC, T	1.00 EA	not sellable
	24420079	ROD, THREADED 5/16-24 x 26.3125	2.00 EA	not sellable
	25470017	PM, SS, STEPPED SPACER, 0.5 X 0.39 x 0.055	2.00 EA	not sellable
	77410008	ROD END, 5/16-24	4.00 EA	not sellable
	77410009	ROD END, 5/16-24 LH	2.00 EA	not sellable
	93420007	STATIONARY HANDLEBAR	1.00 EA	not sellable
	93420220	16GA INSTRUMENT PANEL DASH, WSB	1.00 EA	not sellable
	93420221	CONTROL LEVER LOCK	1.00 EA	not sellable
	93420222	BRAKE INTERLOCK LINK	1.00 EA	not sellable

**WMI08027****CONSOLE, WSB 48/52 (not sellable)**

Reference	Part Number	Description	Quantity	Sellable
	93420223	11GA UPRIGHT BACK BRACE WSB	1.00 EA	not sellable
	93420224	11GA BRAKE ARM, LEFT, WSB	1.00 EA	not sellable
	93420225	11GA BRAKE ARM, RIGHT, WSB	1.00 EA	not sellable
	93420227	UPRIGHT WELDMENT, WSB	1.00 EA	not sellable
	93420228	CONTROLS THROUGH PIN WELDMENT, WSB	1.00 EA	not sellable
	93420249	BRAKE PULL BAR, WSB 48/52	2.00 EA	not sellable
	98420161	CONTROL LEVER ASSEMBLY, LEFT, WSB	1.00 EA	not sellable
	98420162	CONTROL LEVER ASSEMBLY, RIGHT, WSB	1.00 EA	not sellable
	98420163	UPRIGHT PAD ASSEMBLY, WSB	1.00 EA	not sellable
	98420165	BRAKE ASSEMBLY, WSB	1.00 EA	not sellable

# WMI08002

## CUTTER DECK, 52, WSB (not sellable)



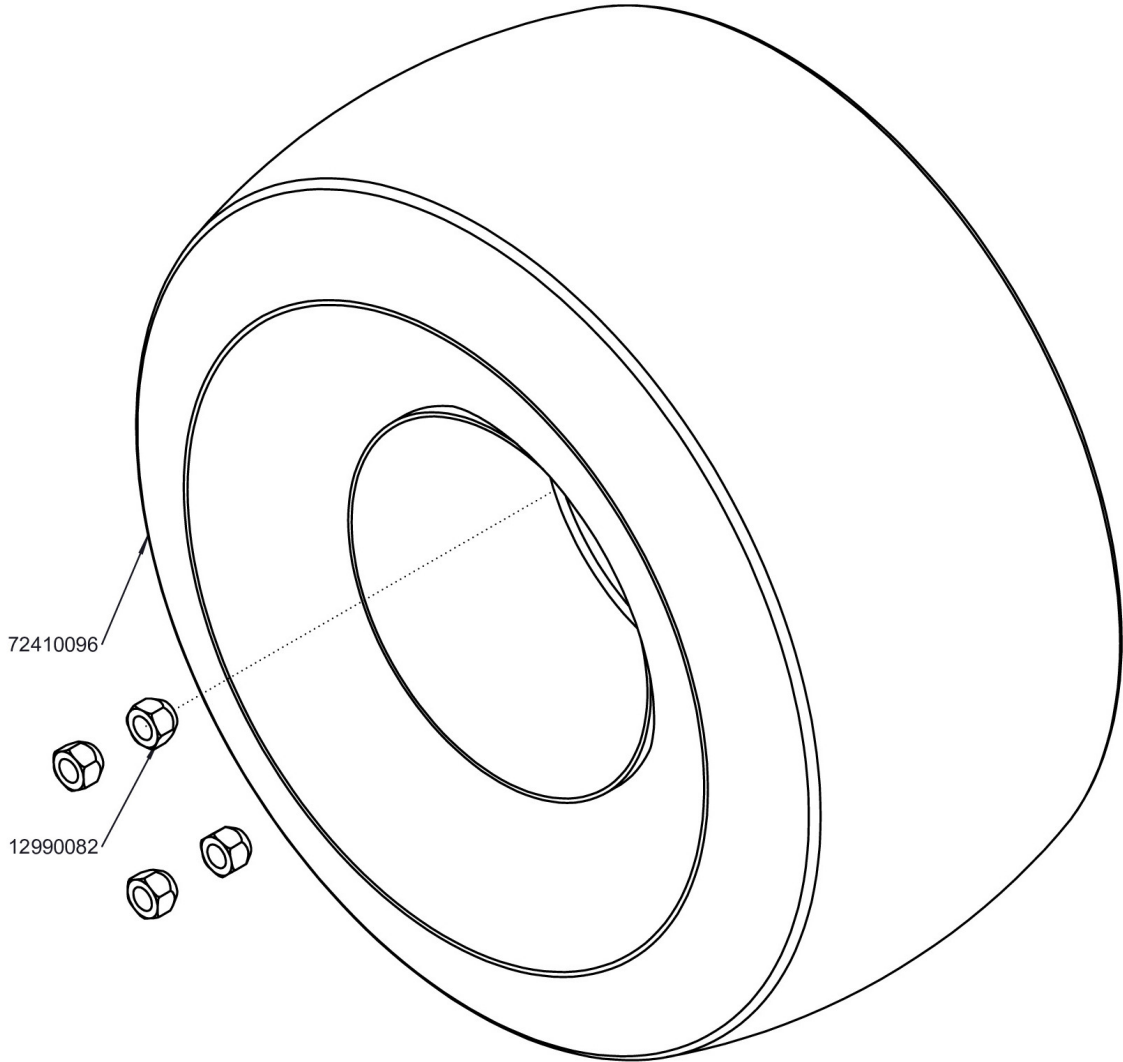
 The Information contained in this drawing is the sole property of Wright MFG., INC. Any Reproduction in part or whole without the written permission of Wright MFG., INC is prohibited

<b>WMI08002</b>				
<b>CUTTER DECK, 52, WSB (not sellable)</b>				
<b>Reference</b>	<b>Part Number</b>	<b>Description</b>	<b>Quantity</b>	<b>Sellable</b>
	11990012	BOLT, FLANGE 5/16-18 X 3/4 Z5	7.00 EA	not sellable
	11990013	BOLT, FLANGE 5/16-18 X 1 Z5	4.00 EA	not sellable
	11990055	BOLT, HEX 1/2-20 X 1 1/2 Z5	3.00 EA	not sellable
	11990129	BOLT, CARRIAGE 3/8-16 X 1 1/4 Z5	12.00 EA	not sellable
	11990188	BOLT, HEX, 1/2 - 13 X 9 Z5	1.00 EA	not sellable
	11990190	BOLT, CARRIAGE, 3/8 - 16 X 2 3/4 Z5	1.00 EA	not sellable
	11990195	BOLT, CARRIAGE, 1/2-13X5 Z5, PARTIAL THREAD	2.00 EA	not sellable
	11990200	BOLT, HEX, 5/8 - 18 X 2 Z5	3.00 EA	not sellable
	12990007	NUT, FLANGE 5/16-18 Z5	11.00 EA	not sellable
	12990065	NUT, FLANGED NYLOCK, 3/8-16 Z5	13.00 EA	not sellable
	12990076	NUT, FLANGED NYLOCK, 1/2-13	3.00 EA	not sellable
	13990007	BLADE SPACER, 5/8 X 1/4	3.00 EA	not sellable
	13990034	WASHER, FLAT .5 X 1 1/2 X 1/4 Z	3.00 EA	not sellable
	13990041	WASHER 3/8 X 1 1/2 X 0.15 Z5	2.00 EA	not sellable
	13990076	WASHER, BELLEVILLE, .692 X 2.0 OD X 0.125	3.00 EA	not sellable
	15990022	MACHINE KEY 3/16 X 3/16 X 1	3.00 EA	not sellable
	17460012	BUMPER, RUBBER, BLACK	4.00 EA	not sellable
	18410012	KNOB, PLASTIC, T	4.00 EA	not sellable
	25470015	PM, ZINC, 1.0 X 0.305 X 0.8125	1.00 EA	not sellable
	71440001	BLADE, 18	3.00 EA	not sellable
	71460085	BELT, EPDM, B SECTION 131.04 EL	1.00 EA	not sellable
	71460147	PULLEY, FLAT IDLER, 6 X 1 X 3/8 BORE, SPLIT	1.00 EA	not sellable
	71460175	DUST CAP, 3/8 X 2.88	1.00 EA	not sellable
	71460183	SPINDLE ASSEMBLY, BOLT-ON	3.00 EA	not sellable
	71460194	PULLEY, DEEP, SINGLE SPLIT, B, 7/8IDX6 5/16OD	3.00 EA	not sellable
	72490003	WHEEL, PLASTIC, SOLID	4.00 EA	not sellable
	93440094	CUTTER DECK, 52, WSB	1.00 EA	not sellable
	93440095	11GA BENT BAFFLE, TRIM, 52, WSB	1.00 EA	not sellable
	93440096	11GA BENT BAFFLE, DISCHARGE, 52, WSB	1.00 EA	not sellable
	93460207	DECK COVER, WSB, ALL	2.00 EA	not sellable
	98460072	TENSIONER ASSEMBLY, CUTTER DECK BELT	1.00 EA	not sellable
	98460073	FLEXIBLE CHUTE ASSEMBLY, LIGHT	1.00 EA	not sellable



# WMI08006

## REAR DRIVE, WSB, 48/52 (not sellable)



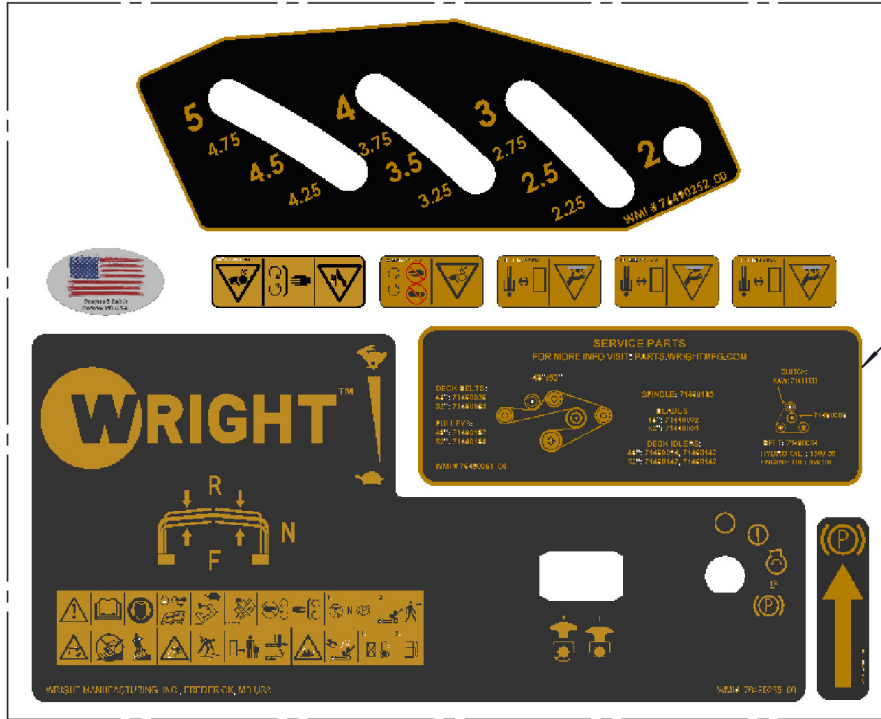
The information contained in this drawing is the sole property of Wright MFG., INC. Any reproduction in part or whole without the written permission of Wright MFG., INC is prohibited

**WMIO8006****REAR DRIVE, WSB, 48/52 (not sellable)**

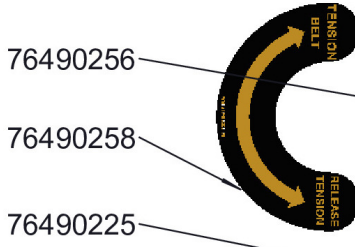
Reference	Part Number	Description	Quantity	Sellable
	12990082	NUT, LUG, 1/2-20	4.00 EA	not sellable
	72410096	WHL ASSY, 20 X 10 - 8, -1.75 OUTSET, BLACK	1.00 EA	not sellable

# WMI08010

## DECAL, WSB, 48/52 (not sellable)



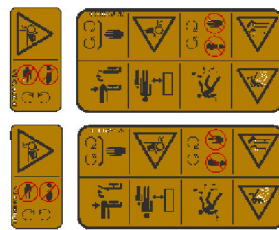
76490254



76490256

76490258

76490225



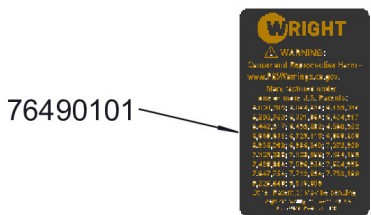
76490223



76490154



76490224



76490101

76490226



76490257



76490261



76490253

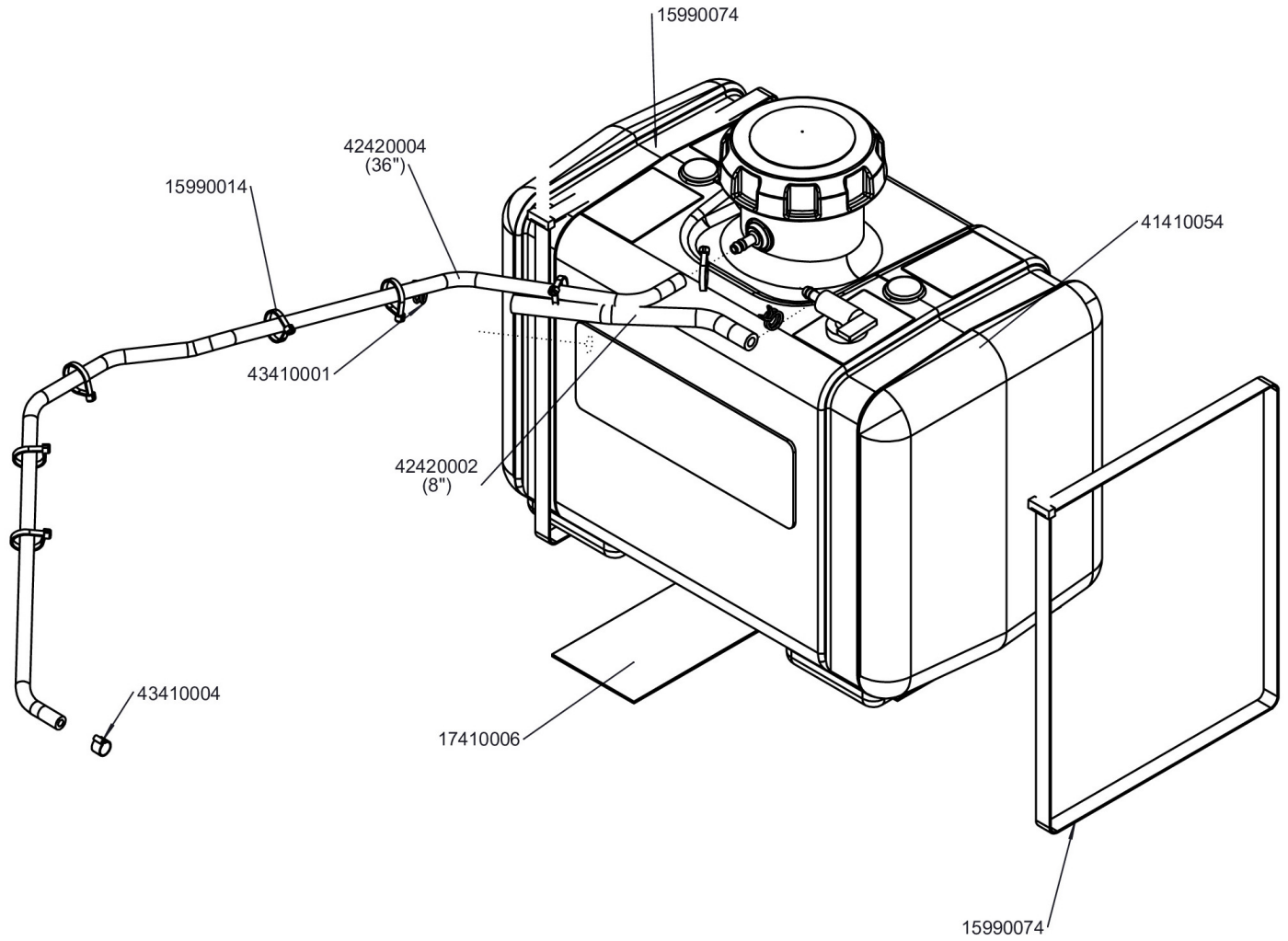
 The information contained in this drawing is the sole property of Wright MFG., INC. Any reproduction in part or whole without the written permission of Wright MFG., INC is prohibited

**WMI08010****DECAL, WSB, 48/52 (not sellable)**

Reference	Part Number	Description	Quantity	Sellable
	76490101	MOWER PATENT NUMBERS REV. 7/7/11	1.00 EA	not sellable
	76490154	DECAL, HYDRO GEAR	1.00 EA	not sellable
	76490223	DECAL, KIT, CUTTER DECK	1.00 EA	not sellable
	76490224	DECAL, SERIAL LABEL, 3 X 8.79	1.00 EA	not sellable
	76490225	DECAL,UV SERIAL LAMINATE 2.75 X 4	1.00 EA	not sellable
	76490226	THERMAL RESIN RIBBON, BLACK, 4.10IN, SERIAL	12.00 IN	not sellable
	76490253	DECAL, DASH, WSB	1.00 EA	not sellable
	76490254	DECAL, MASTER KIT, WSB 48/52	1.00 EA	not sellable
	76490256	DECAL, BATTERY BOX, WRIGHT LOGO	1.00 EA	not sellable
	76490257	DECAL, WRIGHT BRAND, BLACK	1.00 EA	not sellable
	76490258	DECAL, HYDRO TENSIONER, WSB	1.00 EA	not sellable
	76490261	DECAL, UV SERIAL LAMINATE, 1.25" X 2.75"	1.00 EA	not sellable

# WMI08011

FUEL, WSB (not sellable)



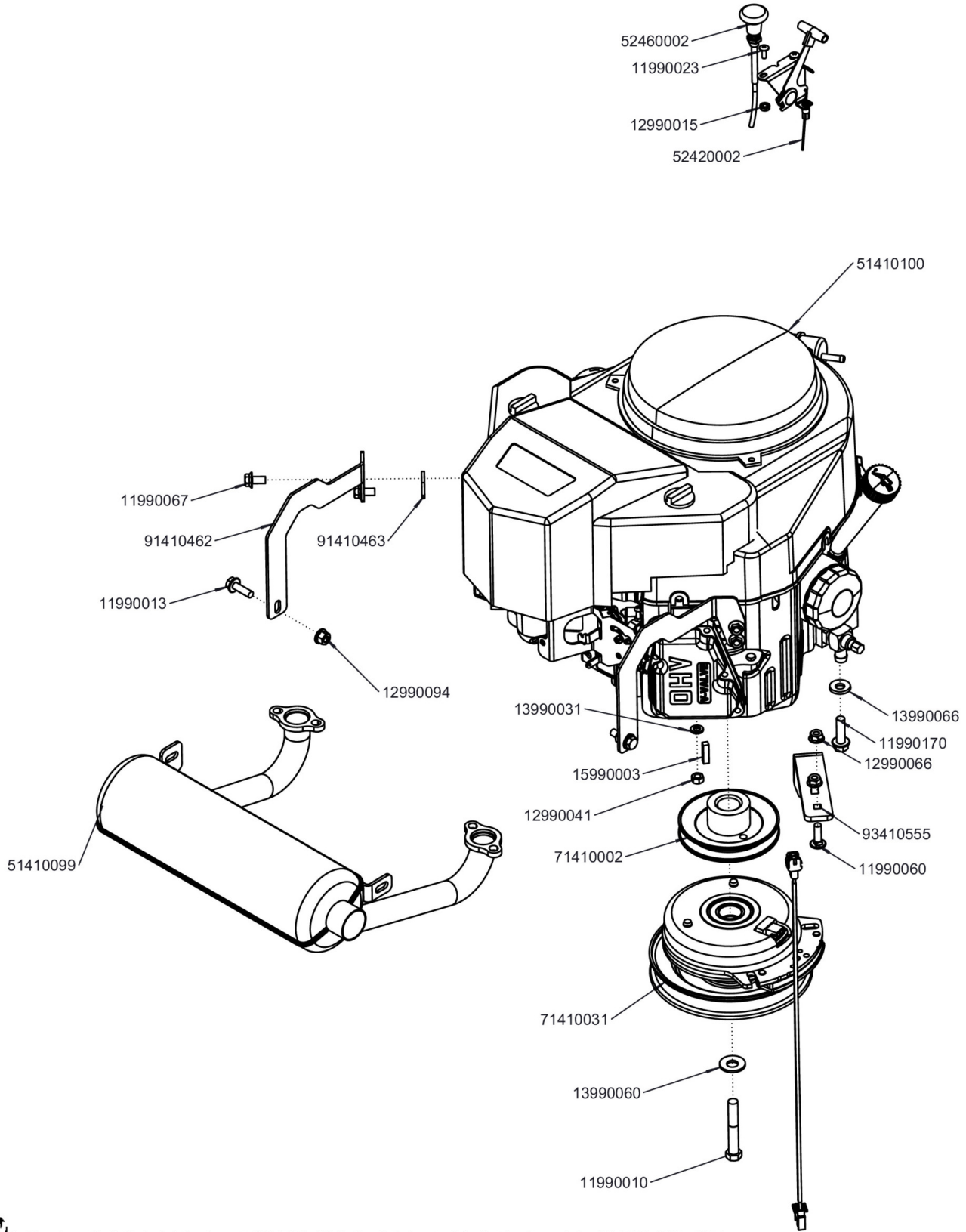
 The information contained in this drawing is the sole property of Wright MFG ., INC. Any Reproduction in part or whole without the written permission of Wright MFG ., INC is prohibited

**WMI08011****FUEL, WSB (not sellable)**

Reference	Part Number	Description	Quantity	Sellable
	15990014	CABLE TIE, 11IN	7.00 EA	not sellable
	15990074	CABLE TIE, 1/2 X 40	2.00 EA	not sellable
	17410006	NITRIL SHEET, PROTECTOR, 3 X 6 X 1/16	2.00 EA	not sellable
	41410054	FUEL TANK ASSY, 5 GAL CL	1.00 EA	not sellable
	42420002	HOSE, FUEL 1/4 ID LOW PERM, PER FT	8.04 IN	not sellable
	42420004	HOSE, FUEL 3/16 ID NOT LOW PERM, PER FT	36.00 IN	not sellable
	43410001	HOSE CLAMP, 1/4	2.00 EA	not sellable
	43410004	HOSE, EAR CLAMP, 3/16	1.00 EA	not sellable

# WMI08029

## ENGINE, FS651V, ELECTRIC (not sellable)



 The Information contained in this drawing is the sole property of Wright MFG., INC. Any Reproduction in part or whole without the written permission of Wright MFG., INC is prohibited

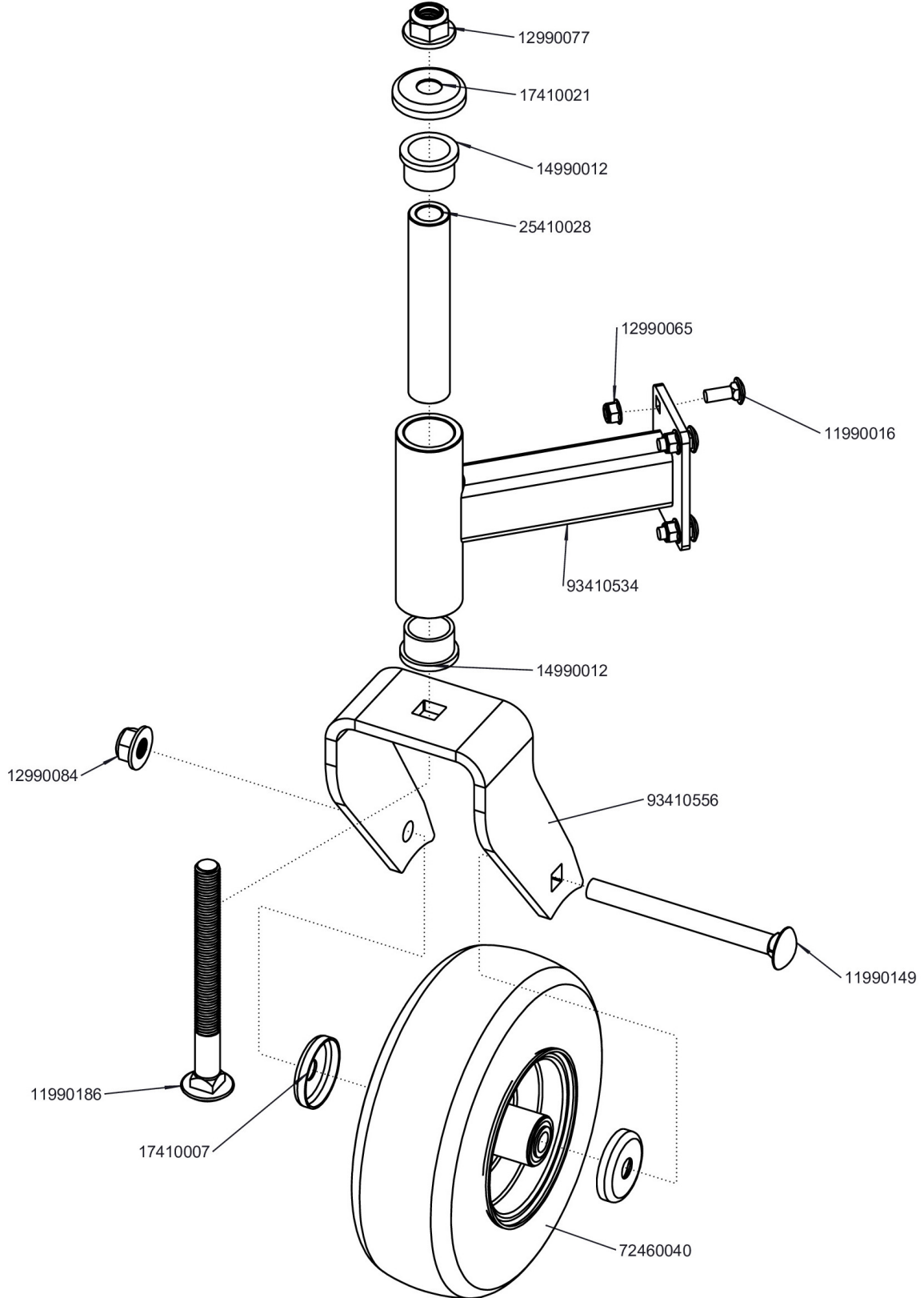
**WMI08029****ENGINE, FS651V, ELECTRIC (not sellable)**

Reference	Part Number	Description	Quantity	Sellable
	11990010	BOLT, HEX 7/16-20 X 2 3/4 Z5	1.00 EA	not sellable
	11990013	BOLT, FLANGE 5/16-18 X 1 Z5	2.00 EA	not sellable
	11990023	SCREW, TRUSS HD, PHILIPS 10-32 X 1/2 Z	2.00 EA	not sellable
	11990060	BOLT, CARRIAGE 5/16-18 X 1 Z5	2.00 EA	not sellable
	11990067	BOLT, FLANGE M8-1.25 X 16mm Z10.9	4.00 EA	not sellable
	11990170	BOLT, FLANGE, SMOOTH 3/8-16 X 1 1/4 ZB8	4.00 EA	not sellable
	12990015	NUT, KEP 10-32 Z	2.00 EA	not sellable
	12990041	NUT, HEX, M8-1.25 SS	1.00 EA	not sellable
	12990066	NUT, FLANGED NYLOCK, 5/16-18 Z5	2.00 EA	not sellable
	12990094	NUT, TOPLOCK, 5/16-18	2.00 EA	not sellable
	13990031	WASHER, LOCK, M8 SS	5.00 EA	not sellable
	13990060	WASHER, SPRING, 1.142OD X .512	1.00 EA	not sellable
	13990066	WASHER, SPRING, 0.945 OD X 0.413 X 0.118 X 0.146	3.00 EA	not sellable
	15990003	MACHINE KEY 1/4 X 1/4 X 1	1.00 EA	not sellable
	36490001	OIL, MOTOR SYNTHETIC SAE 15W50	128.00 OZ	not sellable
	51410099	MUFFLER, KAWASAKI 726CC HORZ HIGH MOUNT	1.00 EA	not sellable
	51410100	ENGINE, FS651	1.00 EA	not sellable
	52420002	THROTTLE CABLE	1.00 EA	not sellable
	52460002	CHOKE CABLE	1.00 EA	not sellable
	71410002	PULLEY, 4.5 X A GRV X 1 (ENGINE)	1.00 EA	not sellable
	71410031	CLUTCH, 1X6.75 125FT-LB CCW, ASSEMBLY W/ CABLE	1.00 EA	not sellable
	91410461	11GA MUFFLER BRACKET, TRIM, WSB	1.00 EA	not sellable
	91410462	11GA MUFFLER BRACKET, DISCHARGE, WSB	1.00 EA	not sellable
	91410463	11GA MUFFLER BRACKET, SPACER, WSB	2.00 EA	not sellable
	93410555	CLUTCH STOP, WSB	1.00 EA	not sellable



# WMI08003

## CASTER, WSB, PNEUMATIC (not sellable)



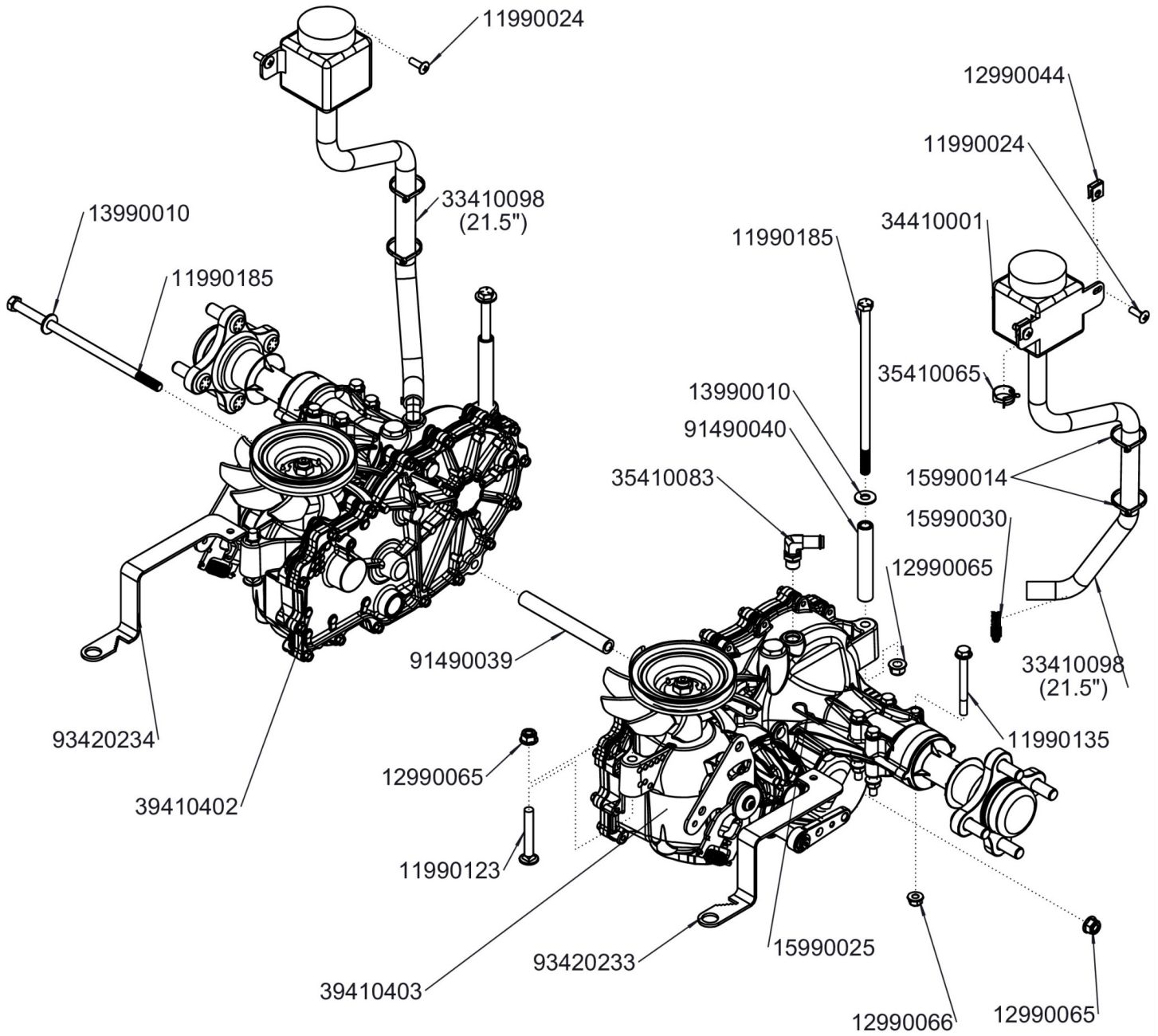
 The information contained in this drawing is the sole property of Wright MFG., INC. Any reproduction in part or whole without the written permission of Wright MFG., INC is prohibited

**WMIO8003****CASTER, WSB, PNEUMATIC (not sellable)**

Reference	Part Number	Description	Quantity	Sellable
	11990016	BOLT, CARRIAGE 3/8-16 X 1 Z5	4.00 EA	not sellable
	11990149	BOLT, CARRIAGE 5/8-11 X 6 1/2 Z5	1.00 EA	not sellable
	11990186	BOLT, CARRIAGE, 3/4 - 10 X 8	1.00 EA	not sellable
	12990065	NUT, FLANGED NYLOCK, 3/8-16 Z5	4.00 EA	not sellable
	12990077	NUT, FLANGED NYLOCK, 3/4-10 Z5	1.00 EA	not sellable
	12990084	NUT, FLANGED NYLOC, 5/8 - 11	1.00 EA	not sellable
	14990012	BUSHING, SYNTHETIC, 1.25 ID X 1.5 OD X 1.0	2.00 EA	not sellable
	17410007	CASTER WHEEL BEARING SHEILD	2.00 EA	not sellable
	17410021	DUST CAP, 3/4	1.00 EA	not sellable
	25410028	SPANNER, 1.248 OD X .766 ID X 6.6125	1.00 EA	not sellable
	72460040	WHEEL ASSY, CASTER, 11X 4 - 5 SEALED BEARING	1.00 EA	not sellable
	93410534	CASTER ARM WELDMENT, SST	1.00 EA	not sellable
	93410556	3/8 CASTER YOKE, PNEUMATIC, WSB	1.00 EA	not sellable

# WMI08007

## HYDRO, WSB, 48/52 (not sellable)



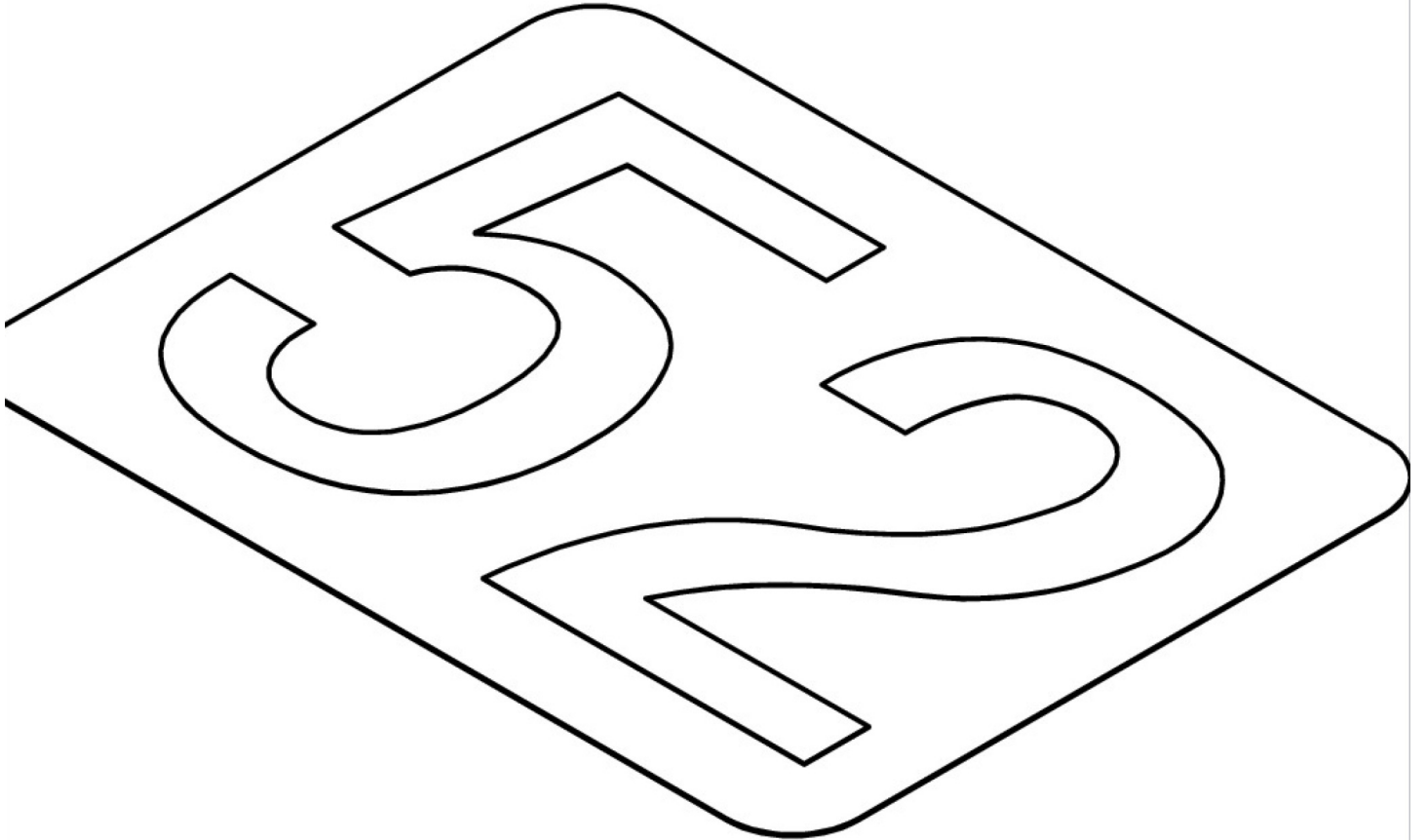
 The Information contained in this drawing is the sole property of Wright MFG., INC. Any Reproduction in part or whole without the written permission of Wright MFG., INC is prohibited

**WMIO8007****HYDRO, WSB, 48/52 (not sellable)**

Reference	Part Number	Description	Quantity	Sellable
	11990024	SCREW, TRUSS HD, PHILIPS 1/4-20 X 3/4 SS	4.00 EA	not sellable
	11990123	BOLT, CARRIAGE 3/8-16 X 2 1/2 Z5	2.00 EA	not sellable
	11990135	BOLT, FLANGE, SMOOTH 5/16 - 18 X 3 Z8	8.00 EA	not sellable
	11990185	BOLT, HEX 3/8 - 16 X 8.5	3.00 EA	not sellable
	12990044	NUT, U 1/4-20 - 7GA	2.00 EA	not sellable
	12990065	NUT, FLANGED NYLOCK, 3/8-16 Z5	5.00 EA	not sellable
	12990066	NUT, FLANGED NYLOCK, 5/16-18 Z5	8.00 EA	not sellable
	13990010	WASHER, FLAT USS 5/16 Z5	3.00 EA	not sellable
	15990014	CABLE TIE, 11IN	4.00 EA	not sellable
	15990025	HITCH PIN CLIP #3	2.00 EA	not sellable
	15990030	HOSE CLAMP, SAE #6, SS	2.00 EA	not sellable
	33410098	HOSE, GP, 1/2 ORDER PER FT	1.79 EA	not sellable
	33410098	HOSE, GP, 1/2 ORDER PER FT	1.79 EA	not sellable
	34410001	HYDRO, RESERVOIR, 350ML W/CAP	2.00 EA	not sellable
	35410065	CLAMP, HOSE, 1/2IN BAND	2.00 EA	not sellable
	35410083	FITTING, 90 DEGREE, -6 MORB X -8 BARB	2.00 EA	not sellable
	39410402	TRANS, ZT-3100, ZL-GHEE-SLDB-2PXX	1.00 EA	not sellable
	39410403	TRANS, ZT-3100, ZL-KHEE-SLDC-3PXX	1.00 EA	not sellable
	91490039	DOM, BLACK, 0.625 X 0.125 X 5.00	1.00 EA	not sellable
	91490040	DOM, BLACK 0.625 X 0.125 X 3.75	2.00 EA	not sellable
	93420233	11GA NEUTRAL ENGAGE PULL, LEFT, WSB	1.00 EA	not sellable
	93420234	11GA NEUTRAL ENGAGE PULL, LEFT, WSB	1.00 EA	not sellable

**76490007**

**DECAL, 52IN DECK SIZE (sellable)**



The Information contained in this drawing is the sole property of Wright MFG ., INC. Any Reproduction in part or whole without the written permission of Wright MFG ., INC is prohibited