

# WSB36SFS600E1B - WM STAND B 36 KAW FS600E ELEC

Generated: 16/06/2021

**This generated parts list may be out of date.**

For up-to-date information, please visit <https://parts.wrightmfg.com/>

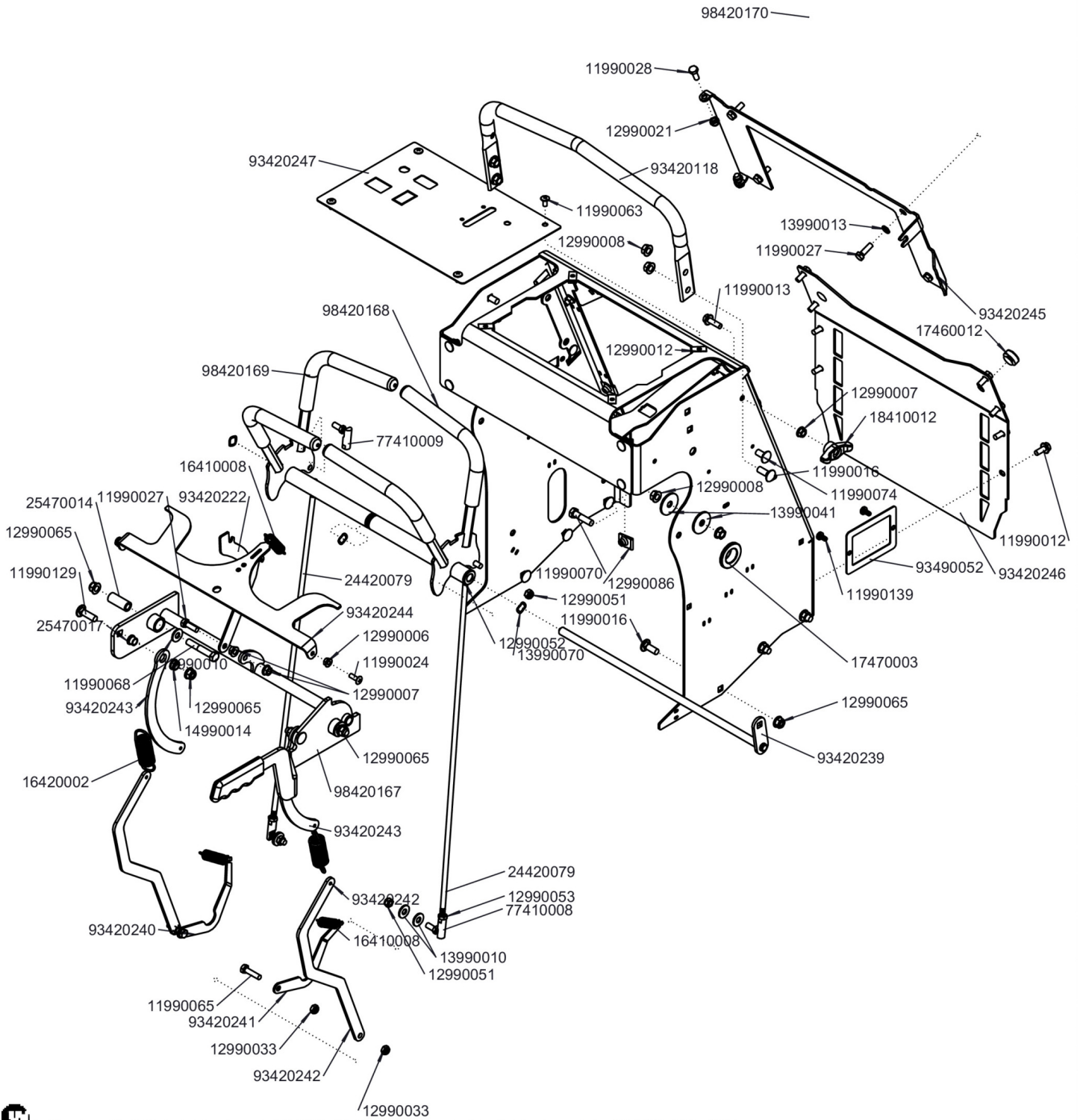



**WM STAND B 36 KAW FS600E ELEC  
WSB36SFS600E1B**

Reference	Part Number	Description	Quantity	Sellable
	WMI08016	UPRIGHT, WSB, 32/36	1.00 EA	not sellable
	WMI08020	TRACTOR, WSB, 32/36	1.00 EA	not sellable
	WMI08025	DECAL, WSB, 32/36	1.00 EA	not sellable
	WMI08017	ELECTRIC, WSB, 32/36	1.00 EA	not sellable
	WMI08021	DECK LIFT, WSB, 32/36	1.00 EA	not sellable
	WMI08011	FUEL, WSB	1.00 EA	not sellable
	WMI08018	CASTER, WSB, FLAT FREE	2.00 EA	not sellable
	WMI08023	REAR DRIVE, WSB, 36	2.00 EA	not sellable
	WMI08028	ENGINE, FS600V, ELECTRIC	1.00 EA	not sellable
	WMI08015	CUTTER DECK, 36, WSB	1.00 EA	not sellable
	WMI08019	ENGINE, FS600, ELECTRIC	1.00 EA	not sellable
	WMI08024	HYDRO, WSB, 32/36	1.00 EA	not sellable
	76490015	DECAL, 36IN DECK SIZE	1.00 EA	sellable

# WMI08016

## UPRIGHT, WSB, 32/36 (not sellable)



 The Information contained in this drawing is the sole property of Wright MFG., INC. Any Reproduction in part or whole without the written permission of Wright MFG., INC is prohibited

**WMI08016****UPRIGHT, WSB, 32/36 (not sellable)**

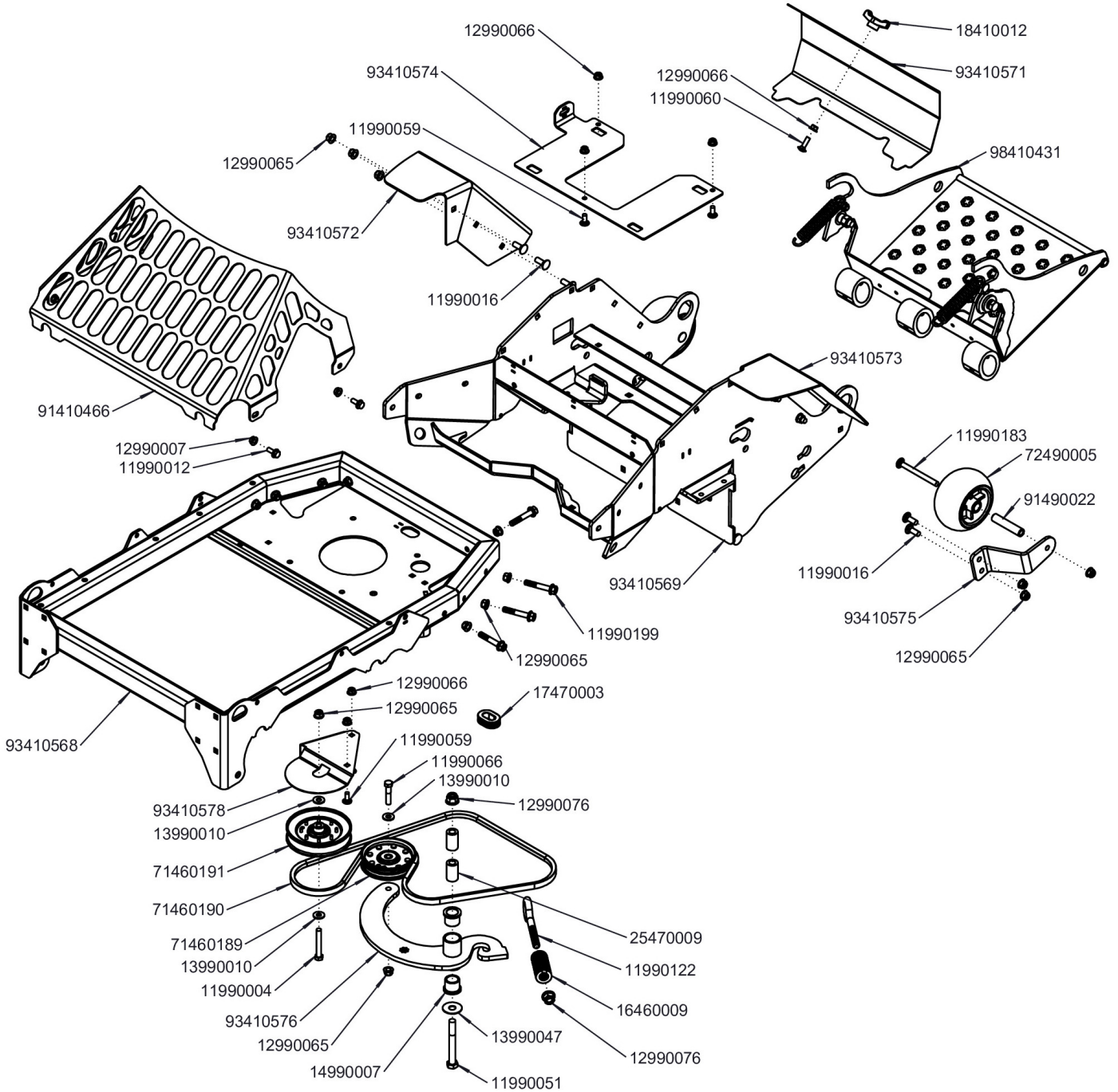
Reference	Part Number	Description	Quantity	Sellable
	11990012	BOLT, FLANGE 5/16-18 X 3/4 Z5	8.00 EA	not sellable
	11990013	BOLT, FLANGE 5/16-18 X 1 Z5	1.00 EA	not sellable
	11990016	BOLT, CARRIAGE 3/8-16 X 1 Z5	7.00 EA	not sellable
	11990024	SCREW, TRUSS HD, PHILIPS 1/4-20 X 3/4 SS	2.00 EA	not sellable
	11990027	BOLT, HEX 5/16-18 X 1 Z5	5.00 EA	not sellable
	11990028	BOLT, HEX 5/16-18 X 3/4 Z5	2.00 EA	not sellable
	11990063	SCREW, TRUSS HD, PHILIPS 1/4-20 X 1/2 SS	4.00 EA	not sellable
	11990065	BOLT, HEX 5/16-18 X 1 1/4 Z5	2.00 EA	not sellable
	11990068	BOLT, HEX 3/8-16 X 2 1/4 Z5	2.00 EA	not sellable
	11990070	BOLT, HEX 3/8-16 X 1 1/2 Z5	1.00 EA	not sellable
	11990074	BOLT, CARRIAGE, SHORT NECK, 3/8-16 X 3/4 Z5	3.00 EA	not sellable
	11990129	BOLT, CARRIAGE 3/8-16 X 1 1/4 Z5	2.00 EA	not sellable
	11990139	BOLT, TORX PLUS 1/4-20 X 1/2 TT 2000	2.00 EA	not sellable
	12990006	NUT, FLANGE 1/4-20 Z5	2.00 EA	not sellable
	12990007	NUT, FLANGE 5/16-18 Z5	3.00 EA	not sellable
	12990008	NUT, FLANGE 3/8-16 Z5	6.00 EA	not sellable
	12990012	NUT, U, 1/4-20, 11GA	4.00 EA	not sellable
	12990021	NUT, NYLOCK 5/16-18 Z5	2.00 EA	not sellable
	12990033	NUT, NYLOCK, JAM 5/16-18 Z5	4.00 EA	not sellable
	12990051	NUT, NYLOCK 5/16-24 Z5	4.00 EA	not sellable
	12990052	NUT, JAM, 5/16-24, LH, Z	2.00 EA	not sellable
	12990053	NUT, JAM, 5/16-24 Z	2.00 EA	not sellable
	12990065	NUT, FLANGED NYLOCK, 3/8-16 Z5	10.00 EA	not sellable
	12990086	NUT, U, 5/16 - 18	8.00 EA	not sellable
	13990010	WASHER, FLAT USS 5/16 Z5	6.00 EA	not sellable
	13990013	WASHER, LOCK 5/16 Z5	4.00 EA	not sellable
	13990041	WASHER 3/8 X 1 1/2 X 0.15 Z5	2.00 EA	not sellable
	13990070	TRIPLE WAVE WASHER, 1/2"	3.00 EA	not sellable
	14990014	BUSHING, IGUS, CLIP, 1/2 X .25	2.00 EA	not sellable
	16410008	SPRING, EXTENSION 5/8 X 2 1/2	3.00 EA	not sellable
	16420002	SPRING, EXTENSION 1 X 2 3/4	2.00 EA	not sellable
	17460012	BUMPER, RUBBER, BLACK	2.00 EA	not sellable
	17470003	GROMMET, 1.0 X 1.375 X 0.1875	1.00 EA	not sellable
	18410012	KNOB, PLASTIC, T	1.00 EA	not sellable
	24420079	ROD, THREADED 5/16-24 x 26.3125	2.00 EA	not sellable
	25470014	PM SS, 0.625 X 0.120 X 1.563	2.00 EA	not sellable
	25470017	PM, SS, STEPPED SPACER, 0.5 X 0.39 x 0.055	2.00 EA	not sellable
	77410008	ROD END, 5/16-24	2.00 EA	not sellable
	77410009	ROD END, 5/16-24 LH	2.00 EA	not sellable
	93420118	STATIONARY HANDLEBAR	1.00 EA	not sellable

**WMI08016****UPRIGHT, WSB, 32/36 (not sellable)**

Reference	Part Number	Description	Quantity	Sellable
	93420222	BRAKE INTERLOCK LINK	1.00 EA	not sellable
	93420239	CONTROLS THROUGH PIN WELDMENT, WSB, 32/36	1.00 EA	not sellable
	93420240	BRAKE RTN, RIGHT WSB, 32/36	1.00 EA	not sellable
	93420241	BRAKE RTN, LEFT, WSB, 32/36	1.00 EA	not sellable
	93420242	BRAKE PULL, LOWER, WSB 32/36	2.00 EA	not sellable
	93420243	BRAKE PULL, UPPER, WSB 32/36	2.00 EA	not sellable
	93420244	CONTROL LEVER LOCK, WSB 32/36	1.00 EA	not sellable
	93420245	UPRIGHT PAD HINGE, WSB 32/36	1.00 EA	not sellable
	93420246	UPRIGHT BACK BRACE, WSB 32/36	1.00 EA	not sellable
	93420247	INSTRUMENT PANEL, WSB 32/36	1.00 EA	not sellable
	93490052	SERIAL LABEL COVER	1.00 EA	not sellable
	98420167	BRAKE HANDLE ASSEMBLY, WSB 32/36	1.00 EA	not sellable
	98420168	CONTROL LEVER ASSEMBLY, LEFT, WSB 32/36	1.00 EA	not sellable
	98420169	CONTROL LEVER ASSEMBLY, RIGHT, WSB 32/36	1.00 EA	not sellable
	98420170	UPRIGHT PAD, WSB 32/36	1.00 EA	not sellable
	98420171	UPRIGHT FRAME, WSB 32/36	1.00 EA	not sellable

# WMI08020

## TRACTOR, WSB, 32/36 (not sellable)



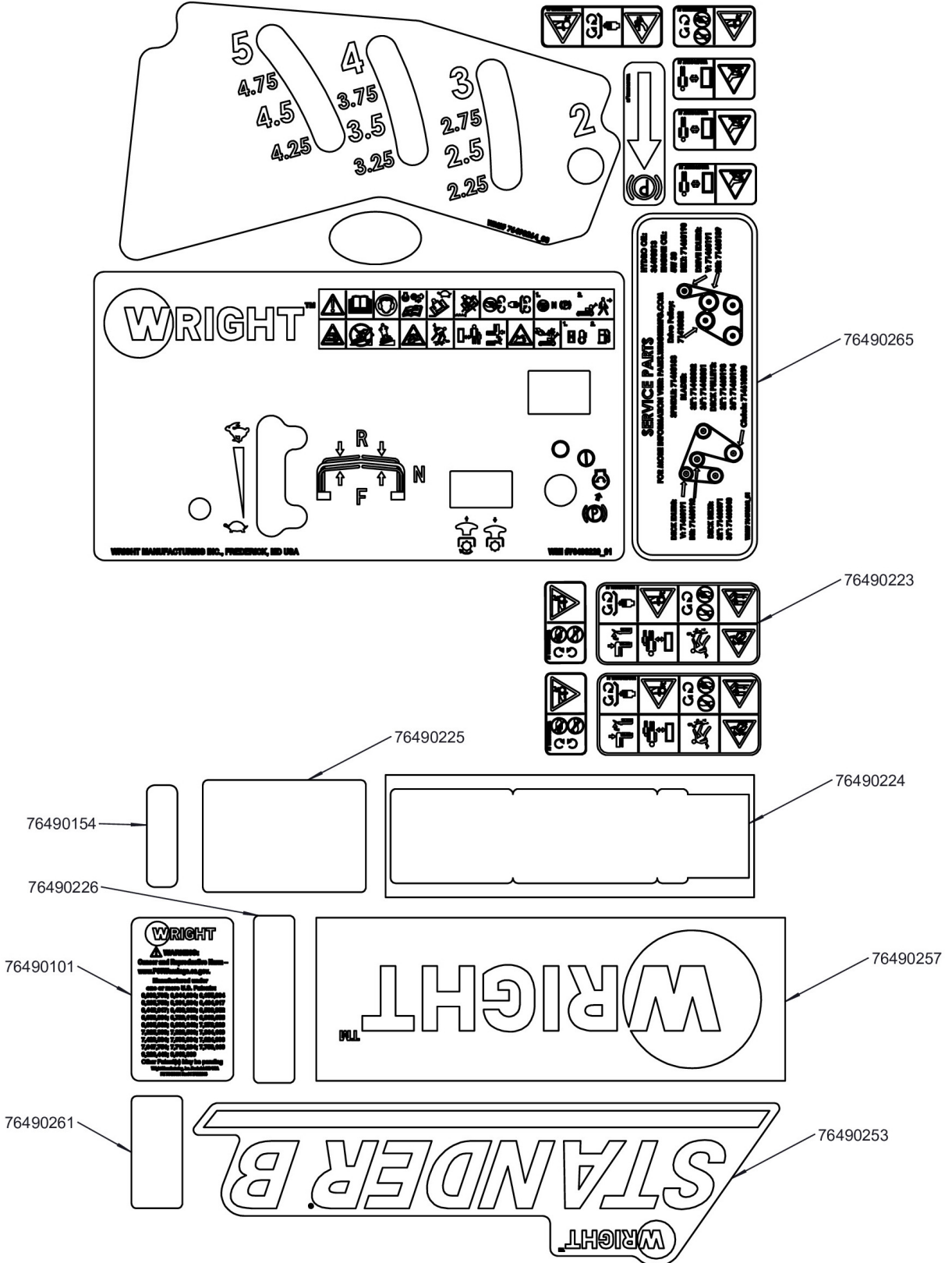
 The information contained in this drawing is the sole property of Wright MFG., INC. Any reproduction in part or whole without the written permission of Wright MFG., INC is prohibited

**WMI08020****TRACTOR, WSB, 32/36 (not sellable)**

Reference	Part Number	Description	Quantity	Sellable
	11990004	BOLT, HEX 3/8-16 X 2 1/2 Z5	1.00 EA	not sellable
	11990012	BOLT, FLANGE 5/16-18 X 3/4 Z5	4.00 EA	not sellable
	11990016	BOLT, CARRIAGE 3/8-16 X 1 Z5	10.00 EA	not sellable
	11990051	BOLT, HEX 1/2-13 X 4 Z5	1.00 EA	not sellable
	11990059	BOLT, CARRIAGE 5/16-18 X 3/4 Z5	5.00 EA	not sellable
	11990060	BOLT, CARRIAGE 5/16-18 X 1 Z5	1.00 EA	not sellable
	11990066	BOLT, HEX 3/8-16 X 1 3/4 Z5	1.00 EA	not sellable
	11990122	BOLT, EYE 1/2-13 X 4	1.00 EA	not sellable
	11990183	BOLT, CARRIAGE, 3/8-16 X 4 Z5	2.00 EA	not sellable
	11990199	BOLT, FLANGE 3/8 - 16 X 2.25	8.00 EA	not sellable
	12990007	NUT, FLANGE 5/16-18 Z5	4.00 EA	not sellable
	12990065	NUT, FLANGED NYLOCK, 3/8-16 Z5	22.00 EA	not sellable
	12990066	NUT, FLANGED NYLOCK, 5/16-18 Z5	6.00 EA	not sellable
	12990076	NUT, FLANGED NYLOCK, 1/2-13	2.00 EA	not sellable
	13990010	WASHER, FLAT USS 5/16 Z5	3.00 EA	not sellable
	13990047	WASHER, FENDER 1/2 X 1-1/2 X 16GA Z	1.00 EA	not sellable
	14990007	BUSHING, SYNTHETIC, 7/8ID X 1.14OD X 1	2.00 EA	not sellable
	16460009	SPRING, DIE, 2.5	1.00 EA	not sellable
	17470003	GROMMET, 1.0 X 1.375 X 0.1875	1.00 EA	not sellable
	18410012	KNOB, PLASTIC, T	1.00 EA	not sellable
	25470009	PM, ZINC, 0.875 X .188 X 1.5	2.00 EA	not sellable
	71460189	PULLEY, IDLER, 4 X 3/4 X 3/8 BORE, SHORT LIP	1.00 EA	not sellable
	71460190	BELT, EPDM, A SECTION, 61.04 EL	1.00 EA	not sellable
	71460191	PULLEY, V-IDLER, A/B GROOVE, 5 OD X 3/8 BORE	1.00 EA	not sellable
	72490005	WHEEL, PLASTIC, HOOSIER, SPHERICAL, 5IN	2.00 EA	not sellable
	91410466	HEAT SHIELD, WSB 32/36	1.00 EA	not sellable
	91490022	DOM, BLACK, 0.625 X 0.120 X 3.000	2.00 EA	not sellable
	93410568	UPPER WELDMENT, FRAME, WSB 32/36	1.00 EA	not sellable
	93410569	TRACTOR WELDMENT, WSBB 32/36	1.00 EA	not sellable
	93410571	TOE PLATE, WSB 32/36	1.00 EA	not sellable
	93410572	FENDER, RIGHT, WSB 32/36	1.00 EA	not sellable
	93410573	FENDER, LEFT, WSB 32/36	1.00 EA	not sellable
	93410574	FUEL TANK SUPPORT, WSB 32/36	1.00 EA	not sellable
	93410575	ROLLER SUPPORT BRACKET, WSB 32/36	2.00 EA	not sellable
	93410576	HYDRO DRIVE TENSIONER ARM, WSB 32/36	1.00 EA	not sellable
	93410578	GUARD, HYDRO V-IDLER, WSB 32/36	1.00 EA	not sellable
	98410431	PLATFORM ASSEMBLY, WSB 32/36	1.00 EA	not sellable

# WMI08025

## DECAL, WSB, 32/36 (not sellable)



The information contained in this drawing is the sole property of Wright MFG., INC. Any reproduction in part or whole without the written permission of Wright MFG., INC is prohibited

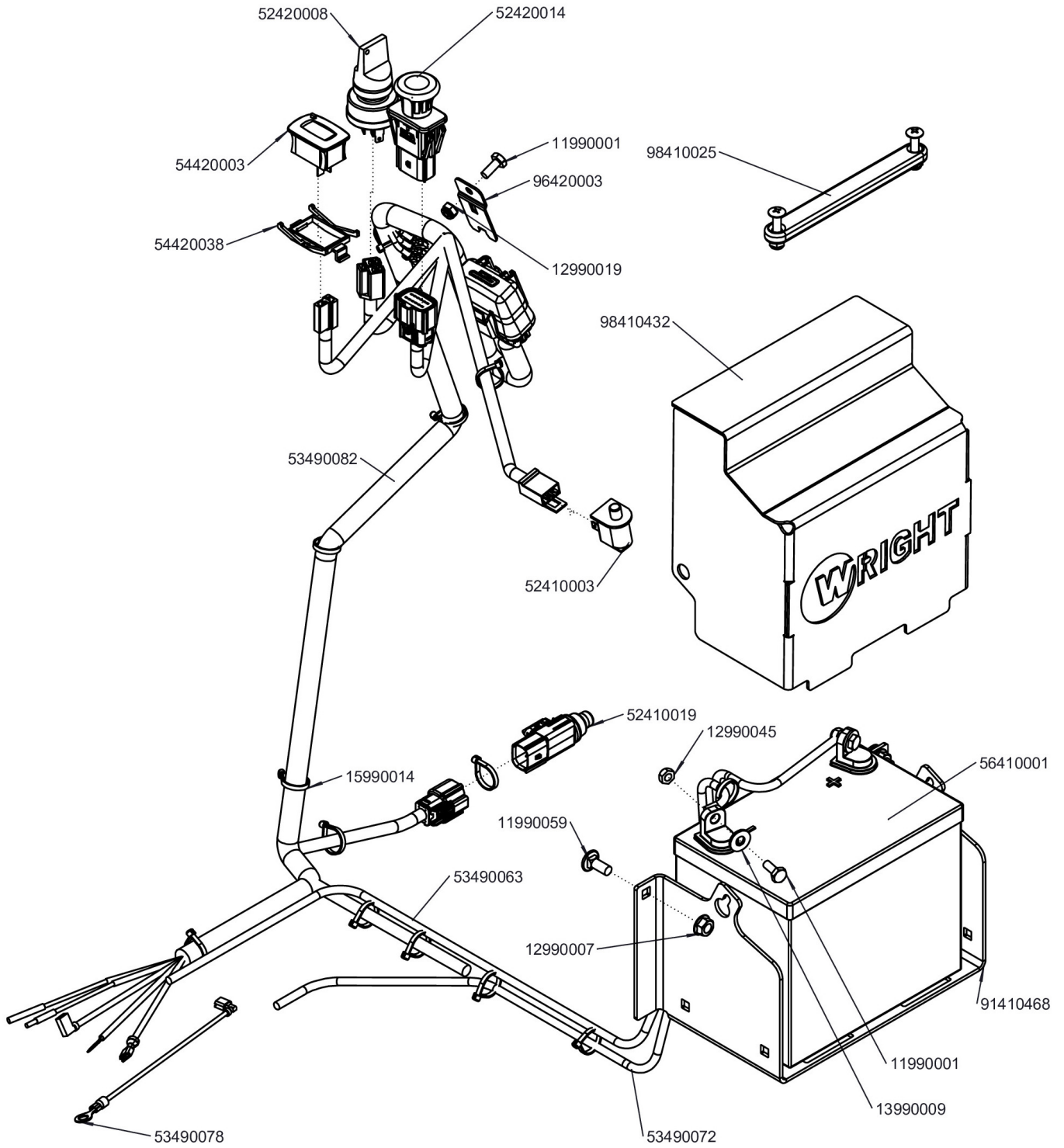


**WMI08025****DECAL, WSB, 32/36 (not sellable)**

Reference	Part Number	Description	Quantity	Sellable
	76490101	MOWER PATENT NUMBERS REV. 7/7/11	1.00 EA	not sellable
	76490154	DECAL, HYDRO GEAR	1.00 EA	not sellable
	76490223	DECAL, KIT, CUTTER DECK	1.00 EA	not sellable
	76490224	DECAL, SERIAL LABEL, 3 X 8.79	1.00 EA	not sellable
	76490225	DECAL,UV SERIAL LAMINATE 2.75 X 4	1.00 EA	not sellable
	76490226	THERMAL RESIN RIBBON, BLACK, 4.10IN, SERIAL	12.00 IN	not sellable
	76490253	DECAL, DASH, WSB	1.00 EA	not sellable
	76490257	DECAL, WRIGHT BRAND, BLACK	1.00 EA	not sellable
	76490261	DECAL, UV SERIAL LAMINATE, 1.25" X 2.75"	1.00 EA	not sellable
	76490265	DECAL, MASTER KIT, WSB 32/36	1.00 EA	not sellable

# WMI08017

## ELECTRIC, WSB, 32/36 (not sellable)



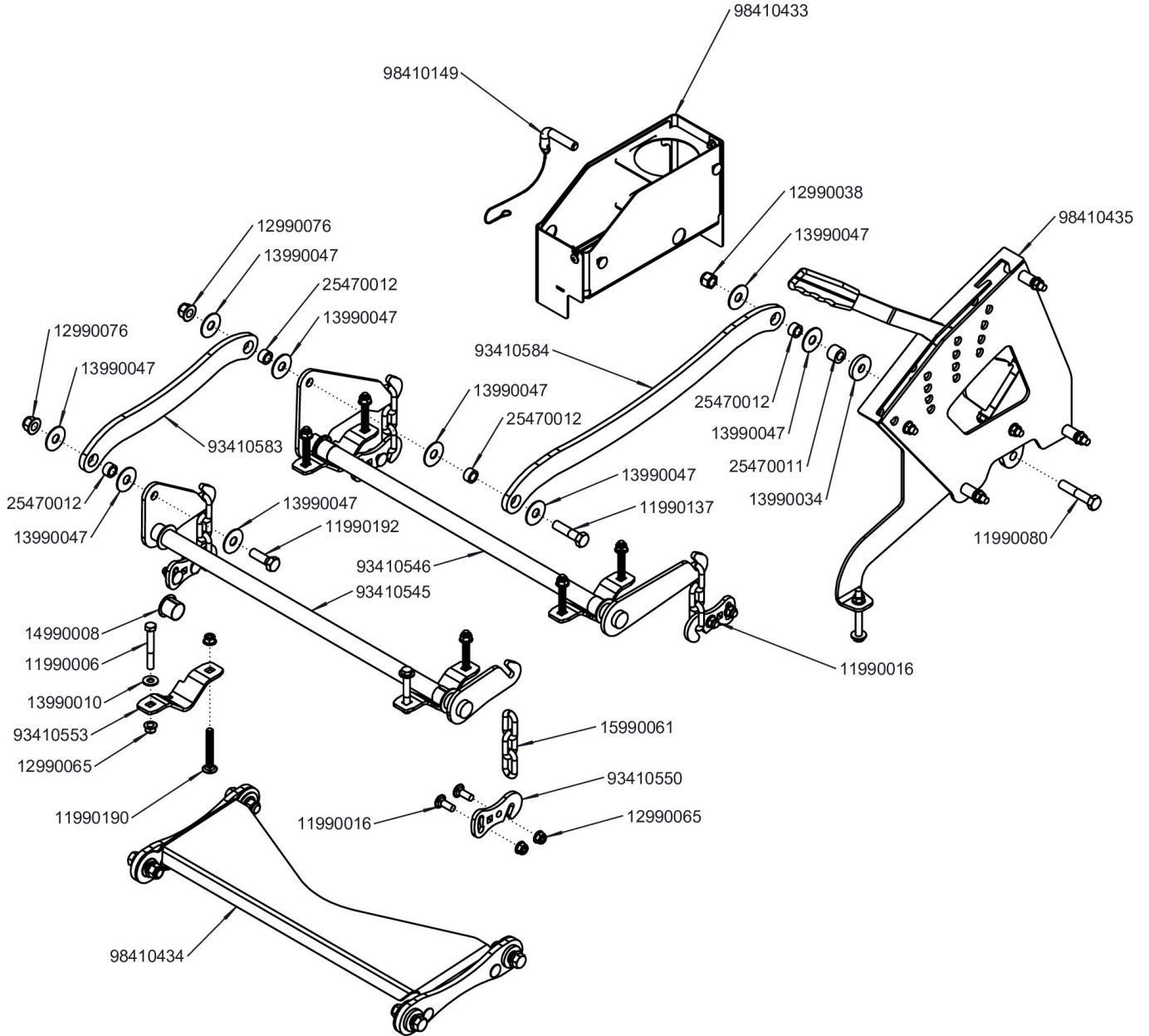
 The information contained in this drawing is the sole property of Wright MFG., INC. Any reproduction in part or whole without the written permission of Wright MFG., INC is prohibited

**WMI08017****ELECTRIC, WSB, 32/36 (not sellable)**

Reference	Part Number	Description	Quantity	Sellable
	11990001	BOLT, HEX 1/4-20 X 5/8 Z	3.00 EA	not sellable
	11990059	BOLT, CARRIAGE 5/16-18 X 3/4 Z5	2.00 EA	not sellable
	12990007	NUT, FLANGE 5/16-18 Z5	2.00 EA	not sellable
	12990019	NUT, FLANGE NYLOCK 1/4-20 Z5	1.00 EA	not sellable
	12990045	NUT, TOPLOCK 1/4-20 Z5	2.00 EA	not sellable
	13990009	WASHER, FLAT, USS 1/4 Z5	2.00 EA	not sellable
	15990014	CABLE TIE, 11IN	14.00 EA	not sellable
	52410003	SWITCH, OPC, 2 LB INT SPRING, BLK	1.00 EA	not sellable
	52410019	NO/NC SWITCH, SEALED, OPC, RAIL MOUNT	1.00 EA	not sellable
	52420008	SWITCH, IGN, ELECT START W/ BELL KEY	1.00 EA	not sellable
	52420014	SWITCH, SEALED, BLADE, ON/OFF, RED	1.00 EA	not sellable
	53490063	CABLE, BATTERY, RED 42IN	1.00 EA	not sellable
	53490072	CABLE, BATTERY, BLACK, 32IN	1.00 EA	not sellable
	53490078	CHARGE WIRE, ENGINE CARBURETED, KAWASAKI	1.00 EA	not sellable
	53490082	HARNESS, ELECTRIC START, INTEGRATED	1.00 EA	not sellable
	54420003	HOUR METER, DIGITAL	1.00 EA	not sellable
	54420038	RETAINER, HOUR METER	1.00 EA	not sellable
	56410001	BATTERY, 12V 300 CCA MAINT FREE	1.00 EA	not sellable
	91410468	BATTERY TRAY, WSB 32/36	1.00 EA	not sellable
	96420003	FUSE BOX BRACKET	1.00 EA	not sellable
	98410025	BATTERY STRAP	1.00 EA	not sellable
	98410432	BATTERY COVER, WSB 32/36	1.00 EA	not sellable

# WMI08021

## DECK LIFT, WSB, 32/36 (not sellable)



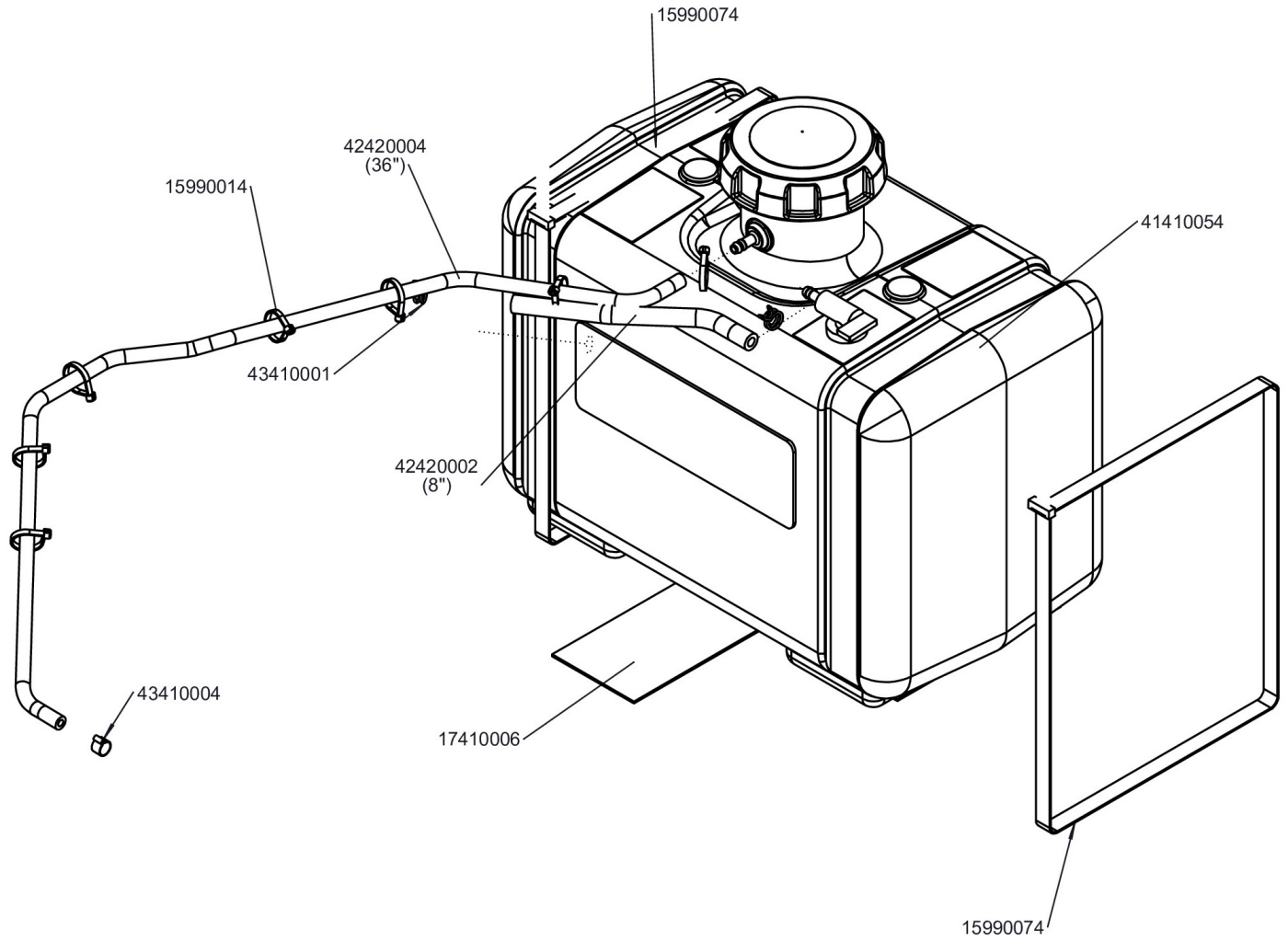
 The information contained in this drawing is the sole property of Wright MFG., INC. Any reproduction in part or whole without the written permission of Wright MFG., INC is prohibited

**WMI08021****DECK LIFT, WSB, 32/36 (not sellable)**

Reference	Part Number	Description	Quantity	Sellable
	11990006	BOLT, HEX 3/8-16 X 2 3/4 Z5	2.00 EA	not sellable
	11990016	BOLT, CARRIAGE 3/8-16 X 1 Z5	8.00 EA	not sellable
	11990080	BOLT, HEX 1/2-20 X 2 1/2 Z8	1.00 EA	not sellable
	11990137	BOLT, HEX 1/2-13 X2 Z5	1.00 EA	not sellable
	11990190	BOLT, CARRIAGE, 3/8 - 16 X 2 3/4 Z5	6.00 EA	not sellable
	11990192	BOLT, HEX, 1/2-13 X 1.5	1.00 EA	not sellable
	12990038	NUT, NYLOCK 1/2-20 Z5	1.00 EA	not sellable
	12990065	NUT, FLANGED NYLOCK, 3/8-16 Z5	16.00 EA	not sellable
	12990076	NUT, FLANGED NYLOCK, 1/2-13	2.00 EA	not sellable
	13990010	WASHER, FLAT USS 5/16 Z5	2.00 EA	not sellable
	13990034	WASHER, FLAT .5 X 1 1/2 X 1/4 Z	1.00 EA	not sellable
	13990047	WASHER, FENDER 1/2 X 1-1/2 X 16GA Z	9.00 EA	not sellable
	14990008	BUSHING, SPLIT, 1.0 X 0.875	4.00 EA	not sellable
	15990061	CHAIN, 5/16 X 3 LINK	4.00 EA	not sellable
	25470011	PM, ZINC, 0.875 X 0.188 X 0.625	1.00 EA	not sellable
	25470012	PM, ZINC, 0.750 X 0.125 X 0.406	4.00 EA	not sellable
	93410545	FRONT DECK LIFT AXLE, WSB	1.00 EA	not sellable
	93410546	REAR DECK LIFT AXLE, WSB	1.00 EA	not sellable
	93410550	DECK ADJUSTER, 5/16 CHAIN	4.00 EA	not sellable
	93410553	BUSHING CRADLE, WSB	4.00 EA	not sellable
	93410583	FRONT PUSH PLATE, WSB 32/36	1.00 EA	not sellable
	93410584	REAR PUSH PLATE, WSB 32/36	1.00 EA	not sellable
	98410149	PIN, HEIGHT SELECT .5 X 1.625 W LANYARD	1.00 EA	not sellable
	98410433	GEAR BOX, WSB 32/36	1.00 EA	not sellable
	98410434	TARILING ARM ASSEMBLY, WSB 32/36	1.00 EA	not sellable
	98410435	HEIGHT SELECT ASSEMBLY, WSB 32/36	1.00 EA	not sellable

# WMI08011

## FUEL, WSB (not sellable)



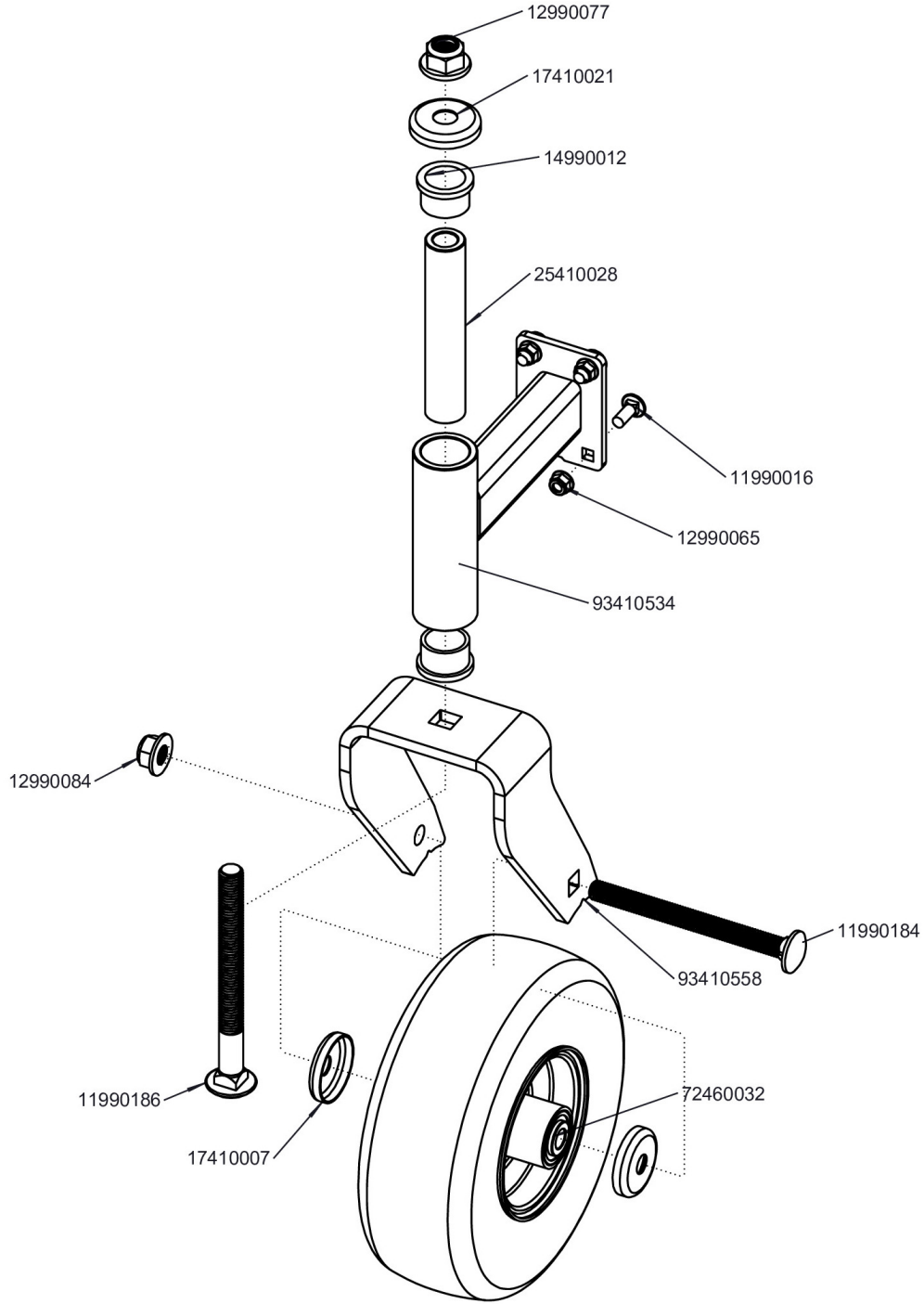
The information contained in this drawing is the sole property of Wright MFG., INC. Any reproduction in part or whole without the written permission of Wright MFG., INC is prohibited

**WMI08011****FUEL, WSB (not sellable)**

Reference	Part Number	Description	Quantity	Sellable
	15990014	CABLE TIE, 11IN	7.00 EA	not sellable
	15990074	CABLE TIE, 1/2 X 40	2.00 EA	not sellable
	17410006	NITRIL SHEET, PROTECTOR, 3 X 6 X 1/16	2.00 EA	not sellable
	41410054	FUEL TANK ASSY, 5 GAL CL	1.00 EA	not sellable
	42420002	HOSE, FUEL 1/4 ID LOW PERM, PER FT	8.04 IN	not sellable
	42420004	HOSE, FUEL 3/16 ID NOT LOW PERM, PER FT	36.00 IN	not sellable
	43410001	HOSE CLAMP, 1/4	2.00 EA	not sellable
	43410004	HOSE, EAR CLAMP, 3/16	1.00 EA	not sellable

# WMI08018

## CASTER, WSB, FLAT FREE (not sellable)



The information contained in this drawing is the sole property of Wright MFG., INC. Any reproduction in part or whole without the written permission of Wright MFG., INC is prohibited

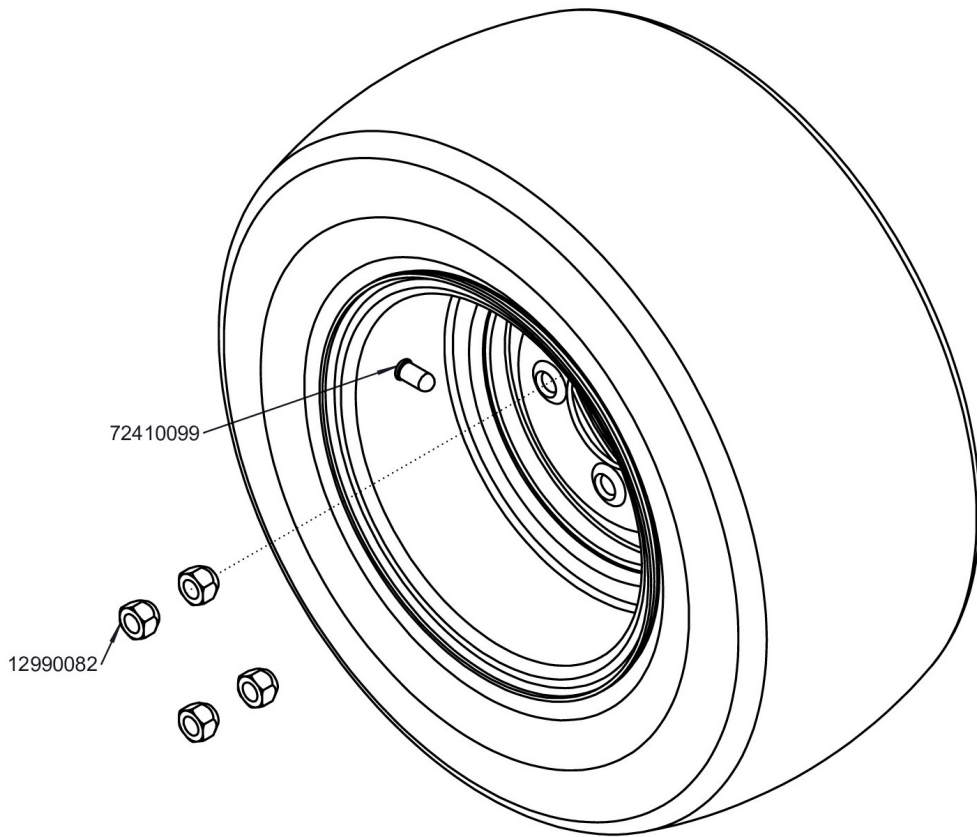


**WMI08018****CASTER, WSB, FLAT FREE (not sellable)**

Reference	Part Number	Description	Quantity	Sellable
	11990016	BOLT, CARRIAGE 3/8-16 X 1 Z5	4.00 EA	not sellable
	11990184	BOLT, CARRIAGE, 5/8-11 X 7 Z5	1.00 EA	not sellable
	11990186	BOLT, CARRIAGE, 3/4 - 10 X 8	1.00 EA	not sellable
	12990065	NUT, FLANGED NYLOCK, 3/8-16 Z5	4.00 EA	not sellable
	12990077	NUT, FLANGED NYLOCK, 3/4-10 Z5	1.00 EA	not sellable
	12990084	NUT, FLANGED NYLOC, 5/8 - 11	1.00 EA	not sellable
	14990012	BUSHING, SYNTHETIC, 1.25 ID X 1.5 OD X 1.0	2.00 EA	not sellable
	17410007	CASTER WHEEL BEARING SHEILD	2.00 EA	not sellable
	17410021	DUST CAP, 3/4	1.00 EA	not sellable
	25410028	SPANNER, 1.248 OD X .766 ID X 6.6125	1.00 EA	not sellable
	72460032	WHEEL ASSY, CASTER, 11 X 4.00 - 5, BALL BRG	1.00 EA	not sellable
	93410534	CASTER ARM WELDMENT, SST	1.00 EA	not sellable
	93410558	CASTER YOKE, WSB, FOR USE WITH 72460032 TIRE	1.00 EA	not sellable

# WMI08023

## REAR DRIVE, WSB, 36 (not sellable)



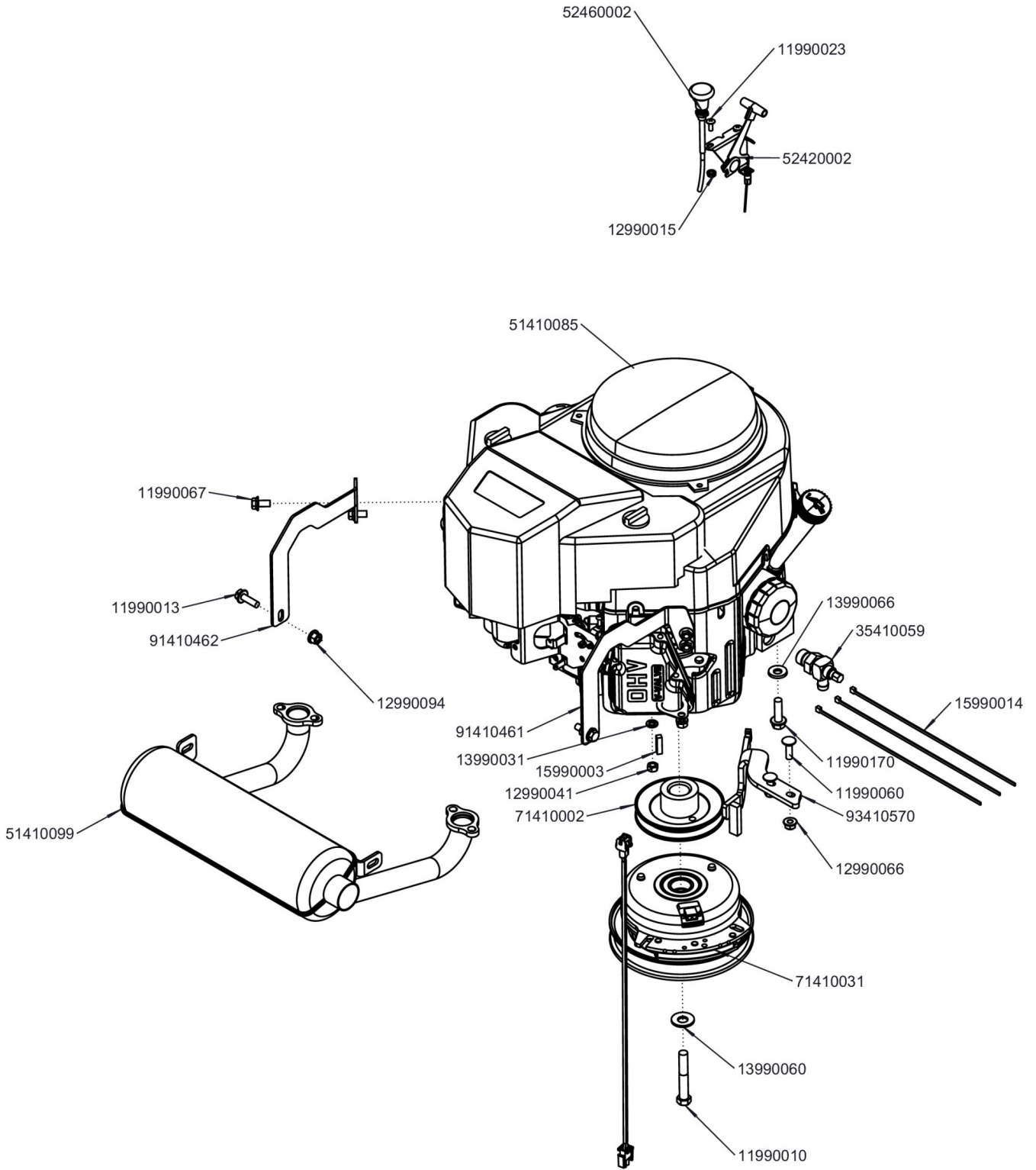
The information contained in this drawing is the sole property of Wright MFG., INC. Any reproduction in part or whole without the written permission of Wright MFG., INC is prohibited


**WMI08023****REAR DRIVE, WSB, 36 (not sellable)**

Reference	Part Number	Description	Quantity	Sellable
	12990082	NUT, LUG, 1/2-20	4.00 EA	not sellable
	72410099	WHEEL ASSEMBLY, 20 X 8 - 10, BLACK	1.00 EA	not sellable

# WMI08028

## ENGINE, FS600V, ELECTRIC (not sellable)



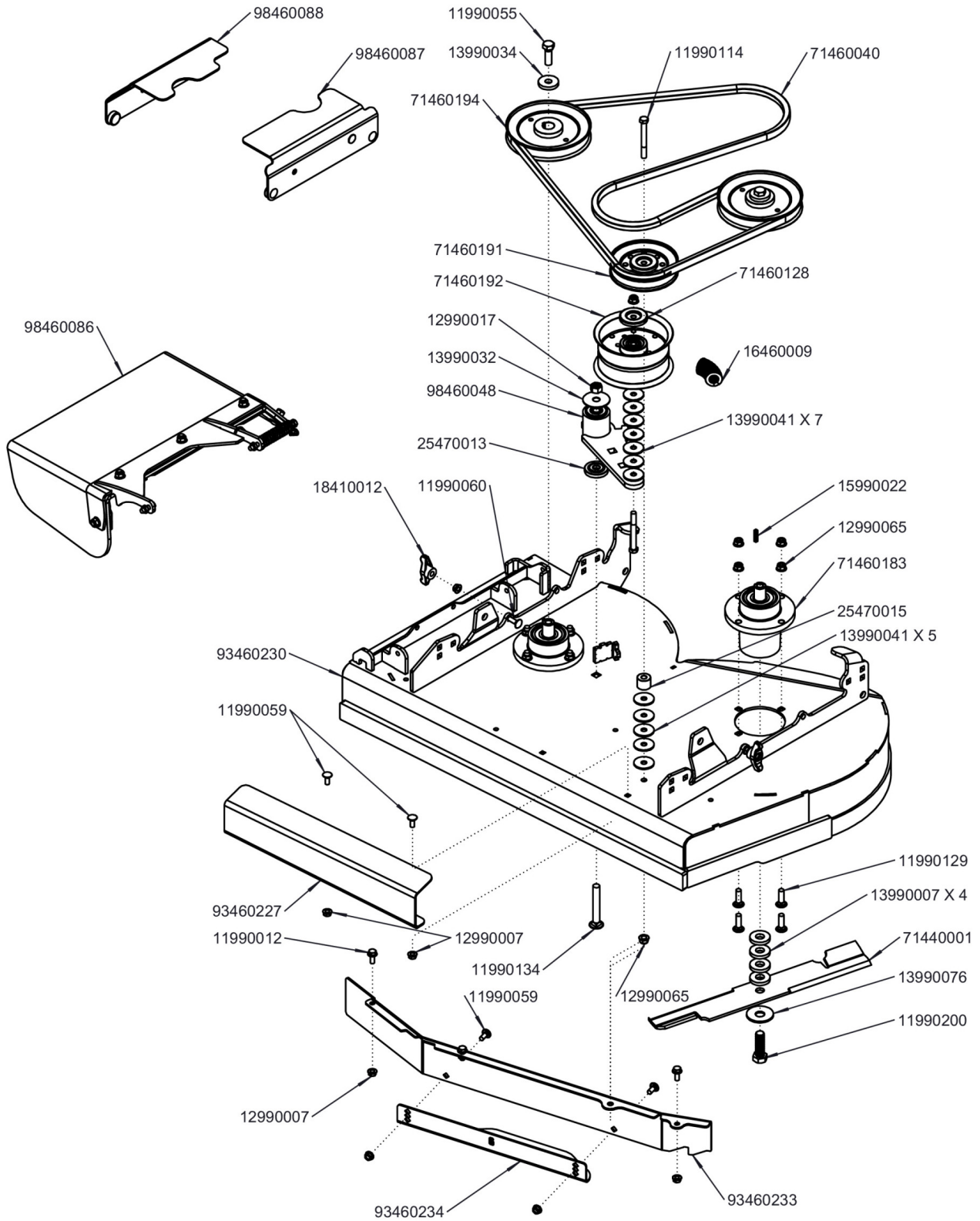
 The Information contained in this drawing is the sole property of Wright MFG., INC. Any Reproduction in part or whole without the written permission of Wright MFG., INC is prohibited

**WMI08028****ENGINE, FS600V, ELECTRIC (not sellable)**

Reference	Part Number	Description	Quantity	Sellable
	11990010	BOLT, HEX 7/16-20 X 2 3/4 Z5	1.00 EA	not sellable
	11990013	BOLT, FLANGE 5/16-18 X 1 Z5	2.00 EA	not sellable
	11990023	SCREW, TRUSS HD, PHILIPS 10-32 X 1/2 Z	2.00 EA	not sellable
	11990060	BOLT, CARRIAGE 5/16-18 X 1 Z5	2.00 EA	not sellable
	11990067	BOLT, FLANGE M8-1.25 X 16mm Z10.9	4.00 EA	not sellable
	11990170	BOLT, FLANGE, SMOOTH 3/8-16 X 1 1/4 ZB8	4.00 EA	not sellable
	12990015	NUT, KEP 10-32 Z	2.00 EA	not sellable
	12990041	NUT, HEX, M8-1.25 SS	1.00 EA	not sellable
	12990066	NUT, FLANGED NYLOCK, 5/16-18 Z5	2.00 EA	not sellable
	12990094	NUT, TOPLOCK, 5/16-18	2.00 EA	not sellable
	13990031	WASHER, LOCK, M8 SS	5.00 EA	not sellable
	13990060	WASHER, SPRING, 1.142OD X .512	1.00 EA	not sellable
	13990066	WASHER, SPRING, 0.945 OD X 0.413 X 0.118 X 0.146	4.00 EA	not sellable
	15990003	MACHINE KEY 1/4 X 1/4 X 1	1.00 EA	not sellable
	15990014	CABLE TIE, 11IN	3.00 EA	not sellable
	35410059	OIL DRAIN VALVE M20 X 2.5 THD	1.00 EA	not sellable
	36490001	OIL, MOTOR SYNTHETIC SAE 15W50	128.00 OZ	not sellable
	51410085	ENGINE, FS600V, SHIFT START	1.00 EA	not sellable
	51410099	MUFFLER, KAWASAKI 726CC HORZ HIGH MOUNT	1.00 EA	not sellable
	52420002	THROTTLE CABLE	1.00 EA	not sellable
	52460002	CHOKE CABLE	1.00 EA	not sellable
	71410002	PULLEY, 4.5 X A GRV X 1 (ENGINE)	1.00 EA	not sellable
	71410031	CLUTCH, 1X6.75 125FT-LB CCW, ASSEMBLY W/ CABLE	1.00 EA	not sellable
	91410461	11GA MUFFLER BRACKET, TRIM, WSB	1.00 EA	not sellable
	91410462	11GA MUFFLER BRACKET, DISCHARGE, WSB	1.00 EA	not sellable
	93410570	CLUTCH STOP, WARNER, WSB 32/36	1.00 EA	not sellable

# WMI08015

## CUTTER DECK, 36, WSB (not sellable)



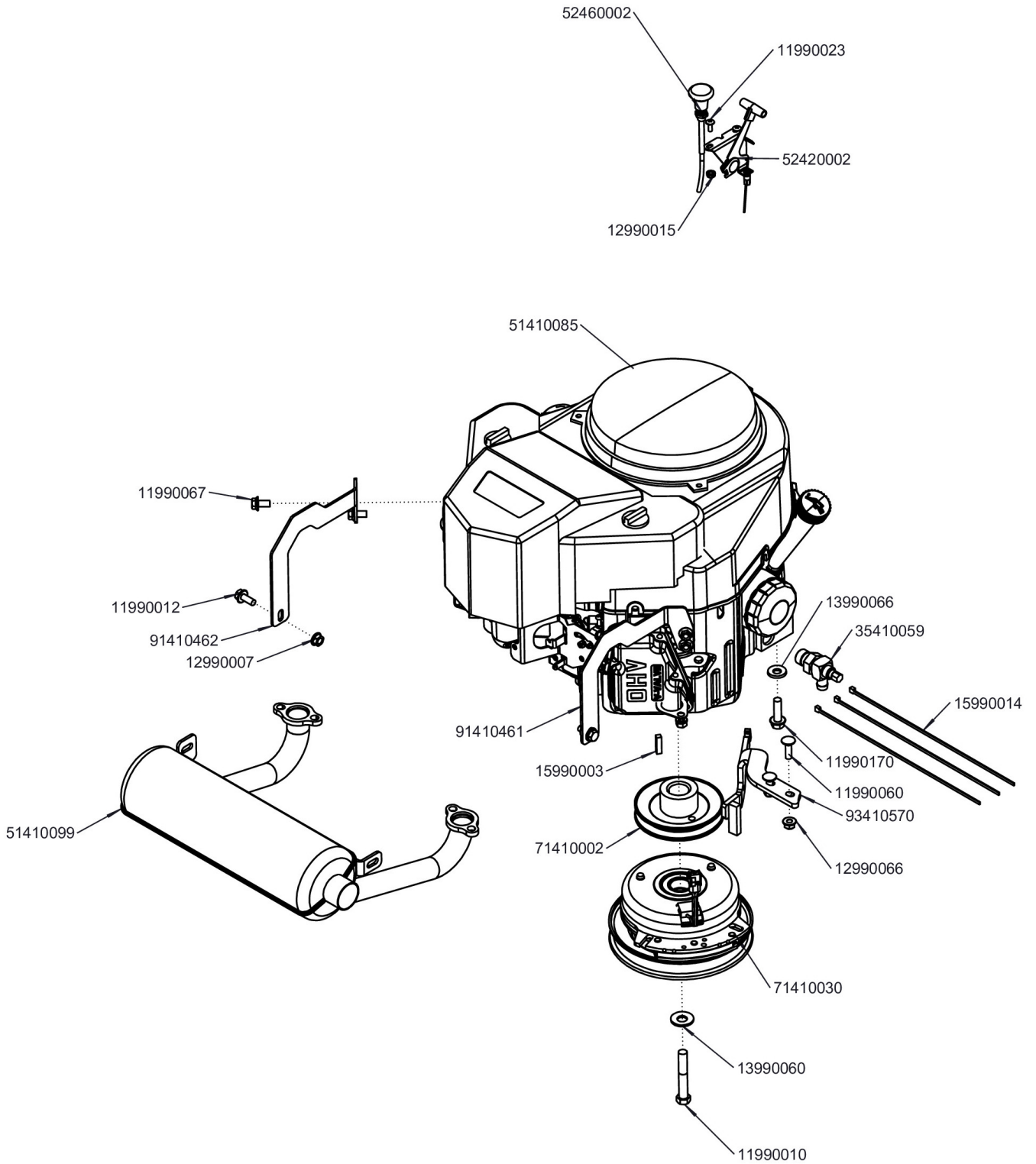
 The Information contained in this drawing is the sole property of Wright MFG., INC. Any Reproduction in part or whole without the written permission of Wright MFG., INC is prohibited

**WMI08015****CUTTER DECK, 36, WSB (not sellable)**

Reference	Part Number	Description	Quantity	Sellable
	11990012	BOLT, FLANGE 5/16-18 X 3/4 Z5	3.00 EA	not sellable
	11990055	BOLT, HEX 1/2-20 X 1 1/2 Z5	2.00 EA	not sellable
	11990059	BOLT, CARRIAGE 5/16-18 X 3/4 Z5	4.00 EA	not sellable
	11990060	BOLT, CARRIAGE 5/16-18 X 1 Z5	2.00 EA	not sellable
	11990114	BOLT, HEX 3/8-16 X 3 1/4 Z5	2.00 EA	not sellable
	11990129	BOLT, CARRIAGE 3/8-16 X 1 1/4 Z5	8.00 EA	not sellable
	11990134	BOLT, CARRIAGE 1/2-13 X3 1/2 Z5	1.00 EA	not sellable
	11990200	BOLT, HEX, 5/8 - 18 X 2 Z5	2.00 EA	not sellable
	12990007	NUT, FLANGE 5/16-18 Z5	9.00 EA	not sellable
	12990017	NUT, HEX, CENTERLOCK 1/2-13NC	1.00 EA	not sellable
	12990065	NUT, FLANGED NYLOCK, 3/8-16 Z5	10.00 EA	not sellable
	13990007	BLADE SPACER, 5/8 X 1/4	8.00 EA	not sellable
	13990032	WASHER 1/2 X 2 X 0.062 Z5	1.00 EA	not sellable
	13990034	WASHER, FLAT .5 X 1 1/2 X 1/4 Z	2.00 EA	not sellable
	13990041	WASHER 3/8 X 1 1/2 X 0.15 Z5	12.00 EA	not sellable
	13990076	WASHER, BELLEVILLE, .692 X 2.0 OD X 0.125	2.00 EA	not sellable
	15990022	MACHINE KEY 3/16 X 3/16 X 1	2.00 EA	not sellable
	16460009	SPRING, DIE, 2.5	1.00 EA	not sellable
	18410012	KNOB, PLASTIC, T	2.00 EA	not sellable
	25470013	IDLER ARM MOUNTING SPACER	1.00 EA	not sellable
	25470015	PM, ZINC, 1.0 X 0.305 X 0.8125	1.00 EA	not sellable
	71440001	BLADE, 18	2.00 EA	not sellable
	71460040	BELT, EPDM, B SECTION 102.25 EL	1.00 EA	not sellable
	71460128	CAP, PULLEY DUST CAP	2.00 EA	not sellable
	71460183	SPINDLE ASSEMBLY, BOLT-ON	2.00 EA	not sellable
	71460191	PULLEY, V-IDLER, A/B GROOVE, 5 OD X 3/8 BORE	1.00 EA	not sellable
	71460192	PULLEY, BSI, 5 1/4 X 2 1/2 X 3/8 BORE	1.00 EA	not sellable
	71460194	PULLEY, DEEP, SINGLE SPLIT, B, 7/8IDX6 5/16OD	2.00 EA	not sellable
	93460227	FRONT DECK COVER, WSB 32/36	1.00 EA	not sellable
	93460230	CUTTER DECK WELDMENT, WSB 36	1.00 EA	not sellable
	93460233	INTERNAL BENT BAFFLE, WSB 36	1.00 EA	not sellable
	93460234	AIR DEFLECTOR, WSB 36	1.00 EA	not sellable
	98460048	IDLER ARM ASSY, RIGHT	1.00 EA	not sellable
	98460086	FLEXIBLE CHUTE DEFLECTOR ASSEMBLY, WSB 32/36	1.00 EA	not sellable
	98460087	DECK COVER ASSEMBLY, TRIM, WSB 36	1.00 EA	not sellable
	98460088	DECK COVER ASSEMBLY, DISCHARGE, WSB 36	1.00 EA	not sellable

# WMI08019

## ENGINE, FS600, ELECTRIC (not sellable)



The information contained in this drawing is the sole property of Wright MFG., INC. Any reproduction in part or whole without the written permission of Wright MFG., INC is prohibited

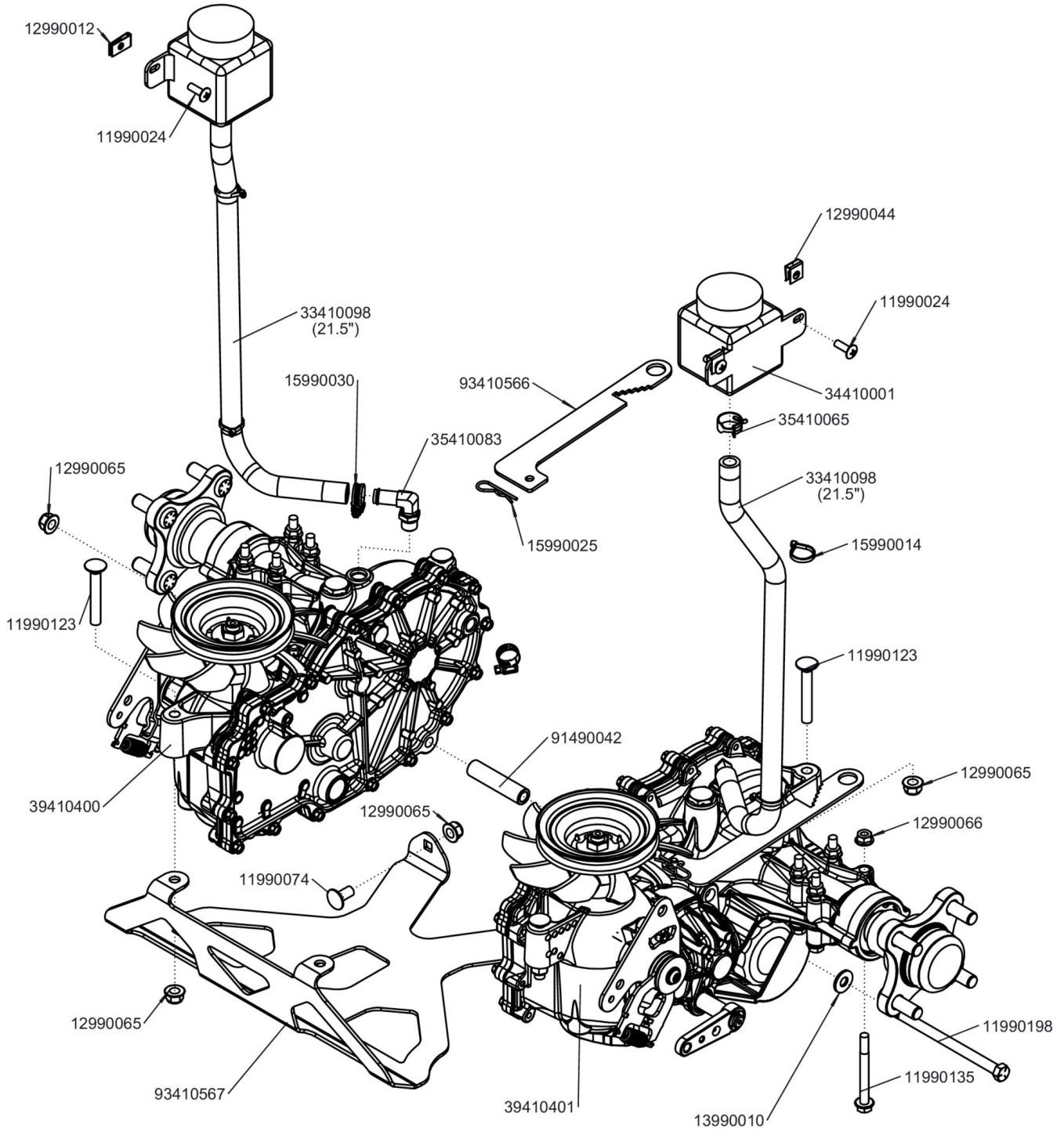



**WMI08019****ENGINE, FS600, ELECTRIC (not sellable)**

Reference	Part Number	Description	Quantity	Sellable
	11990010	BOLT, HEX 7/16-20 X 2 3/4 Z5	1.00 EA	not sellable
	11990012	BOLT, FLANGE 5/16-18 X 3/4 Z5	2.00 EA	not sellable
	11990023	SCREW, TRUSS HD, PHILIPS 10-32 X 1/2 Z	2.00 EA	not sellable
	11990060	BOLT, CARRIAGE 5/16-18 X 1 Z5	2.00 EA	not sellable
	11990067	BOLT, FLANGE M8-1.25 X 16mm Z10.9	4.00 EA	not sellable
	11990170	BOLT, FLANGE, SMOOTH 3/8-16 X 1 1/4 ZB8	4.00 EA	not sellable
	12990007	NUT, FLANGE 5/16-18 Z5	2.00 EA	not sellable
	12990015	NUT, KEP 10-32 Z	2.00 EA	not sellable
	12990066	NUT, FLANGED NYLOCK, 5/16-18 Z5	2.00 EA	not sellable
	13990060	WASHER, SPRING, 1.142OD X .512	1.00 EA	not sellable
	13990066	WASHER, SPRING, 0.945 OD X 0.413 X 0.118 X 0.146	4.00 EA	not sellable
	15990003	MACHINE KEY 1/4 X 1/4 X 1	1.00 EA	not sellable
	15990014	CABLE TIE, 11IN	3.00 EA	not sellable
	35410059	OIL DRAIN VALVE M20 X 2.5 THD	1.00 EA	not sellable
	36490001	OIL, MOTOR SYNTHETIC SAE 15W50	128.00 OZ	not sellable
	51410085	ENGINE, FS600V, SHIFT START	1.00 EA	not sellable
	51410099	MUFFLER, KAWASAKI 726CC HORZ HIGH MOUNT	1.00 EA	not sellable
	52420002	THROTTLE CABLE	1.00 EA	not sellable
	52460002	CHOKE CABLE	1.00 EA	not sellable
	71410002	PULLEY, 4.5 X A GRV X 1 (ENGINE)	1.00 EA	not sellable
	71410030	CLUTCH, 1 X 6.75 105FT-LB CCW,#I-5219-233	1.00 EA	not sellable
	91410461	11GA MUFFLER BRACKET, TRIM, WSB	1.00 EA	not sellable
	91410462	11GA MUFFLER BRACKET, DISCHARGE, WSB	1.00 EA	not sellable
	91410463	11GA MUFFLER BRACKET, SPACER, WSB	2.00 EA	not sellable
	93410570	CLUTCH STOP, WARNER, WSB 32/36	1.00 EA	not sellable

# WMI08024

## HYDRO, WSB, 32/36 (not sellable)



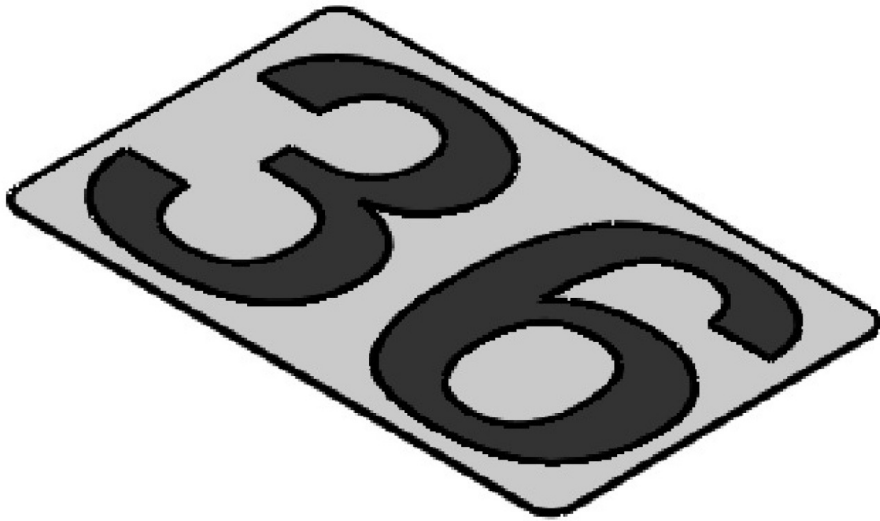
 The Information contained in this drawing is the sole property of Wright MFG., INC. Any Reproduction in part or whole without the written permission of Wright MFG., INC is prohibited

**WMI08024****HYDRO, WSB, 32/36 (not sellable)**

Reference	Part Number	Description	Quantity	Sellable
	11990024	SCREW, TRUSS HD, PHILIPS 1/4-20 X 3/4 SS	4.00 EA	not sellable
	11990074	BOLT, CARRIAGE, SHORT NECK, 3/8-16 X 3/4 Z5	2.00 EA	not sellable
	11990123	BOLT, CARRIAGE 3/8-16 X 2 1/2 Z5	4.00 EA	not sellable
	11990135	BOLT, FLANGE, SMOOTH 5/16 - 18 X 3 Z8	8.00 EA	not sellable
	11990198	BOLT, HEX, 3/8-16 X 6 Z5	1.00 EA	not sellable
	12990012	NUT, U, 1/4-20, 11GA	2.00 EA	not sellable
	12990044	NUT, U 1/4-20 - 7GA	2.00 EA	not sellable
	12990065	NUT, FLANGED NYLOCK, 3/8-16 Z5	7.00 EA	not sellable
	12990066	NUT, FLANGED NYLOCK, 5/16-18 Z5	8.00 EA	not sellable
	13990010	WASHER, FLAT USS 5/16 Z5	1.00 EA	not sellable
	15990014	CABLE TIE, 11IN	4.00 EA	not sellable
	15990025	HITCH PIN CLIP #3	2.00 EA	not sellable
	15990030	HOSE CLAMP, SAE #6, SS	2.00 EA	not sellable
	33410098	HOSE, GP, 1/2 ORDER PER FT	1.79 EA	not sellable
	33410098	HOSE, GP, 1/2 ORDER PER FT	1.79 EA	not sellable
	34410001	HYDRO, RESERVOIR, 350ML W/CAP	2.00 EA	not sellable
	35410065	CLAMP, HOSE, 1/2IN BAND	2.00 EA	not sellable
	35410083	FITTING, 90 DEGREE, -6 MORB X -8 BARB	2.00 EA	not sellable
	39410400	TRANS, ZT-3100 RIGHT, ZL-GCEE-SNDB-2PXX	1.00 EA	not sellable
	39410401	TRANS, ZT-3100 LEFT, ZL-KCEE-SNDC-3PXX	1.00 EA	not sellable
	91490042	DOM, BLACK, .625 X .120W X 2.625	1.00 EA	not sellable
	93410566	TRANSAXLE NEUTRAL ENGAGE, WSB, 32/36	2.00 EA	not sellable
	93410567	SKID PLATE, WSB, 32/36	1.00 EA	not sellable

**76490015**

**DECAL, 36IN DECK SIZE (sellable)**



The Information contained in this drawing is the sole property of Wright MFG ., INC. Any Reproduction in part or whole without the written permission of Wright MFG ., INC is prohibited