



# ***ASSEMBLY INSTRUCTIONS***



## ***PREMIUM FEATURES***



*Patented Impact Absorbtion Frame*



*Thicker, Premium Pillow Netting*



*Reinforced, off-set  
connection joints  
won't break or bend.*





**7 x 7 Pro Series (See Page 5-10)**



**7 x 4 Pro Series (See Page 13)**



**Z Screen Pro Series (See Page 14)**

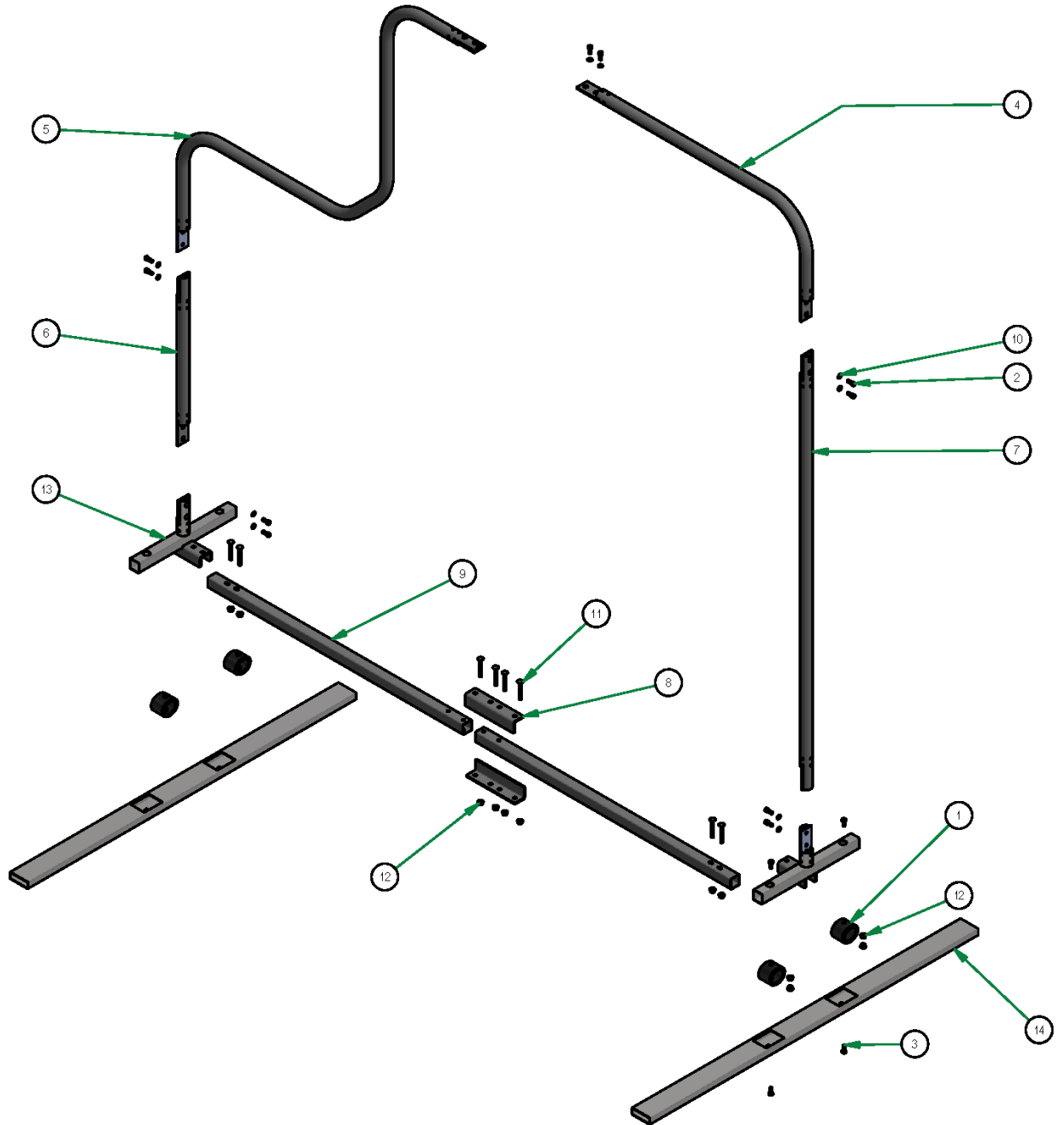


**9 Square + (See Page 12)**





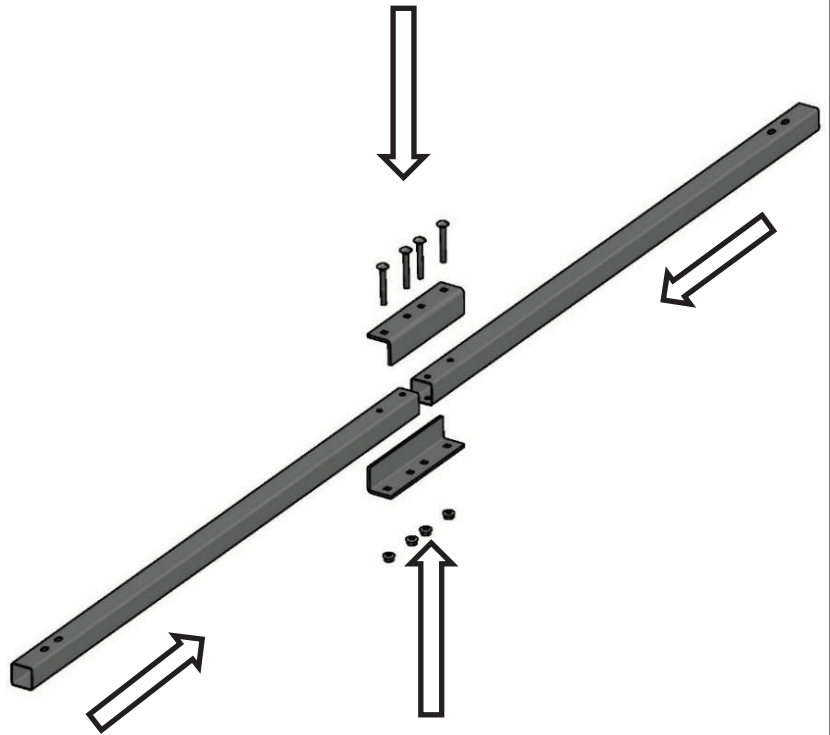
# ASSEMBLY INSTRUCTIONS



Parts List				
ITEM	QTY	PART NUMBER	DESCRIPTION	REV
1	4	087-0003-00	GBR-647 Miner Elastomer	
2	10	018-8067-00	5/16-18 X 3/4 SOCKET CAP SCREW PLAIN (Black)	
3	8	018-8063-00	5/16-18 X 3/4 HEX CAP SCREW (GR.5) ZINC	
4	1	388-9997-00	L-Net Tube 3 assembly	
5	1	388-9996-00	L-Net Tube 2 assembly	
6	1	388-9995-00	L-Net Tube 1.5 assembly	
7	1	388-9998-00	L-Net Tube 4.5 assembly	
8	2	339-9999-00	cpibr bkt 01	
9	2	350-9909-00	Bltm brace tube	
10	10	5/16 INT TOOTH LOCKWASHER ZC		
11	8		5/16-18 X 2 1/2 CARRIAGE BOLT ZINC	
12	16	013-8049-00	5/16-18 NYLON INSERT FLANGE LOCKNUT ZINC	
13	2	350-9904-00	Tube 2	
14	2	350-9923-00	BBNet Universal Base	

### STEP ONE:

- Assemble the Bottom Brace Tubes (Item 10).
  - Lay the ends together as shown. Notice there are two types of holes on opposite ends of each tube. One set of holes are slotted and the other set is not. The set of holes that are not slotted will be coupled together.
  - Set the Coupler Brackets (Item 9) in place opposite of each other and align the corresponding holes.
- Secure the Coupler Brackets using the 5/16 x-18 x 2 ½ Carriage Bolts and the 5/16-18 Locking Flange Nuts.



### STEP TWO

**NOTE:** Do not tighten any of the hardware until the all of the assembly is complete.

- Attach the Bottom Brace Tubes to the Base assembly.
- Set the end of the tube in the bracket and align the corresponding holes.
- Secure the tube using the 5/16 x-18 x 2 ½ Carriage Bolts and the 5/16-18 Locking Flange Nuts,
- Repeat this procedure for the other side.





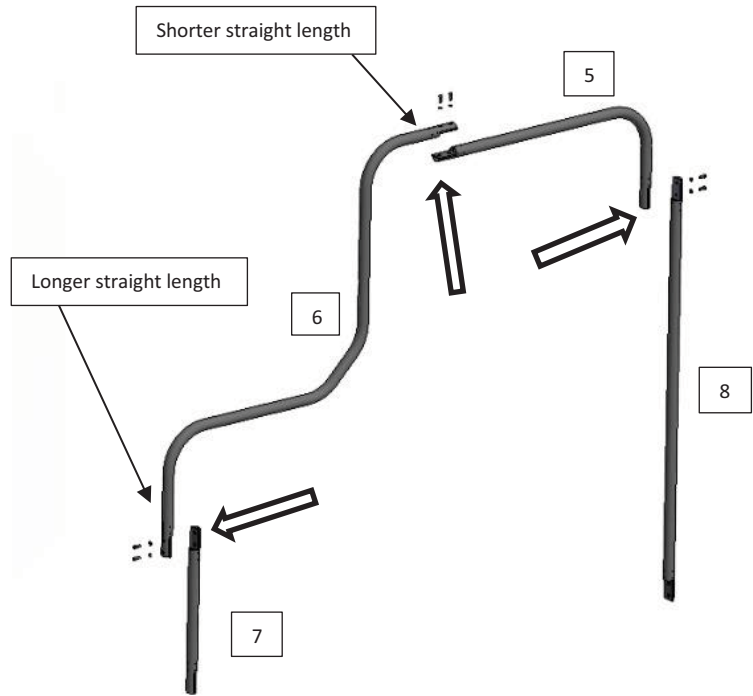
# ASSEMBLY INSTRUCTIONS



### STEP THREE

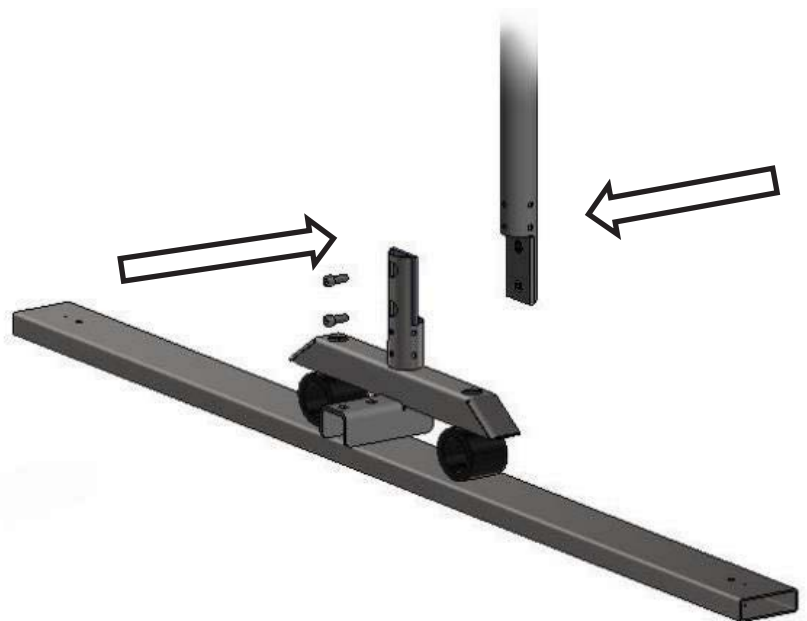
Couple the tube frame together as follows using the 5/16-18 x 3/4 Socket Cap Screws (Item 2) and the 5/16 INT Tooth Lock Washers (Item 11).

- Couple together the Mid Tube (Item 6) and the Short-Side Tube (Item 7). Notice that on the mid tube, one end is slightly longer than the other. The longer end will couple with the short-side tube.
- In the same manner, couple together the Top Tube (Item 5) with the Mid Tube.
- Couple the Top Tube to the Long-Side Tube.
- Screw in the Cap Screws until “barely snug”. The final tightening will be done when the entire assembly is complete.



### STEP FOUR

- Attach the assembled base to the bottom of the tube frame in the same manner as the previous step, using the same hardware.
- Repeat on the other side.



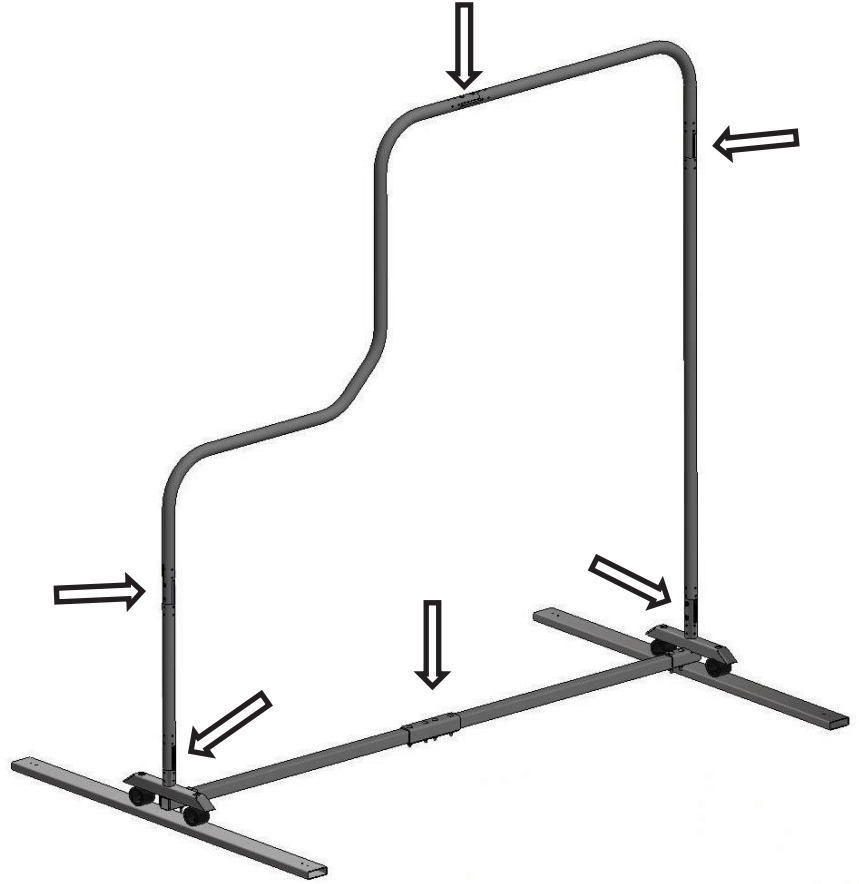


# ASSEMBLY INSTRUCTIONS



**STEP FIVE**

- Once the frame is completely assembled, go back through and tighten ALL of the couplers.
- When all the bolts are tight, slip the net cover over the top and pull it down all the way to the bottom of the frame.
- Tilt the fully assembled screen on its side and use the rope at the bottom of the net to secure it to the bottom brace. Pull the net past the bottom brace and weave through both sides of the net from one end to the other and knot.

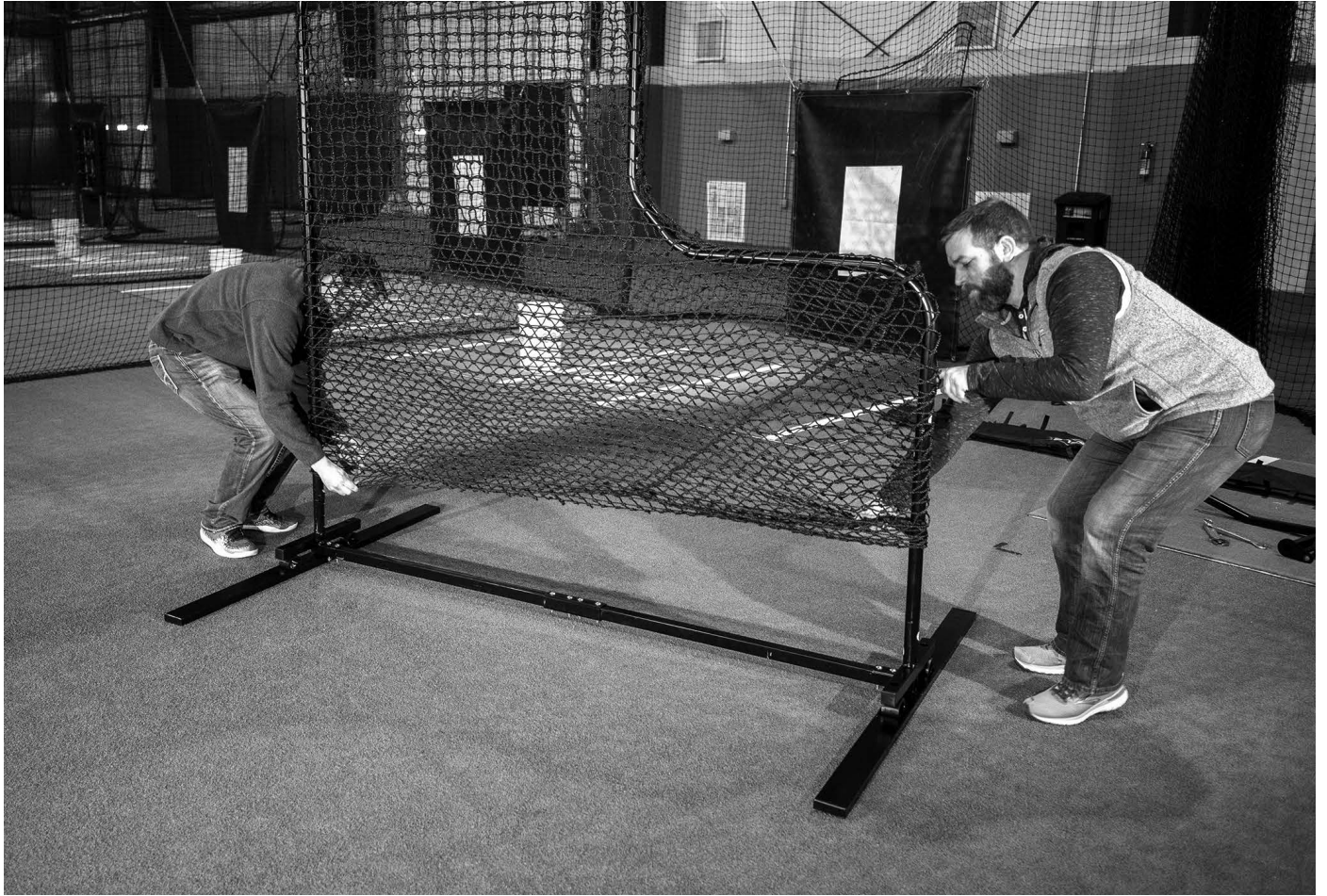


**STEP SIX**

- Attach padding using Velcro strips. Logo pad should be placed on the tall side.



# ASSEMBLY INSTRUCTIONS





## 9 Square + *Part: 385-9999-00-9SP*



- *For Assembly refer to steps (2 & 4)*
- *Apply bungie grid to bottom cross bar.*
- *Space bungies out evenly vertical and horizontal to create strike zone.*
- *Slide pillowcase style net over the top of the frame and slide it down to the bottom.*
- *Weave string around the frame and through the net to secure the net to the frame.*
- *Tie string in a knot once you have weaved it all the way around the frame.*
- *Now ..... THROW STRIKES!!*



## 7 x 4 Pro Series Part: 387-9999-00-LN P



- *For Assembly refer to steps (2 & 4)*
- *All joints on frame are the same on all products.*
- *Slide pillowcase style net over the top of the frame and pull down to bottom of frame.*
- *Weave string through the bottom of the net to secure to frame.*
- *Tie string in a knot to secure.*



## Z Screen Pro Series *Part: 388-9999-00-ZNP*



- *For Assembly refer to steps (2 & 4)*
- *All joints on frame are the same on all products.*
- *Slide pillowcase style net over the top of the frame and pull down to bottom of frame.*
- *Weave string through the bottom of the net to secure to frame.*
- *Tie string in a knot to secure.*



9 x9 Field Screen

***Coming Soon!***



**WEB**  **FLEX**<sup>TM</sup>  
PROSERIES

*79 NEWPORT RD,  
SOUTHSIDE, AR, 72501*