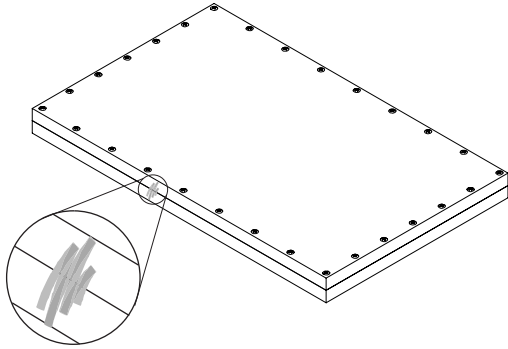


Rugged

Disassembly Instructions

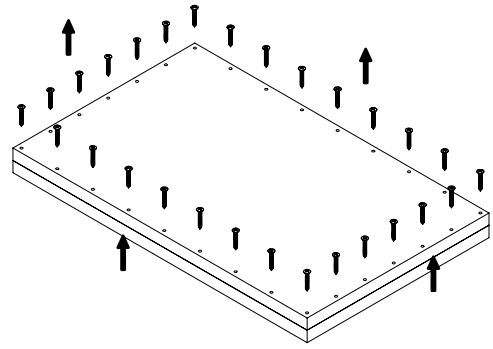
1

Mark the panels on one edge (for future alignment)



2

Remove all screws

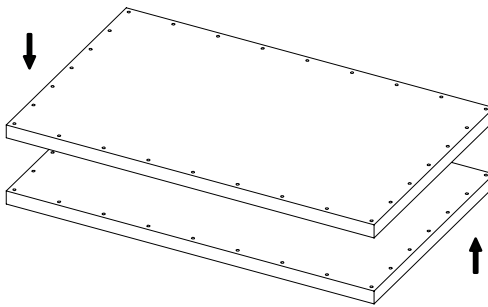


Rugged

Assembly Instructions

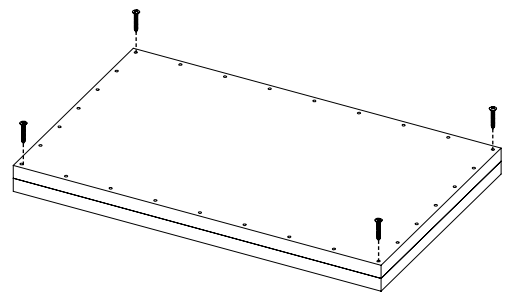
1

Join the two panels



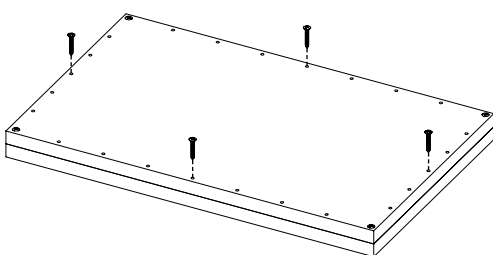
2

Fit the 4 corner screws
⚠ Do not tighten



3

Fit the middle screws
⚠ Do not tighten



4

Fit the rest of the screws
⚠ Tighten with a hand screwdriver

