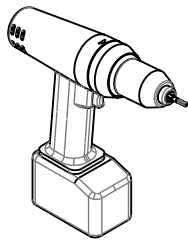


Mounting Router

User guide

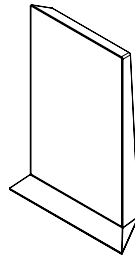


- Both Hand tools and power tools (inc battery ones) are dangerous if not used properly
- Only use tools for which you are competent
- Never force any object toward your body, helpers or bystanders
- Dismantling or modifying electronic equipment could damage the equipment.
- Once you have modified your equipment it will no longer be covered under warranty if it fails



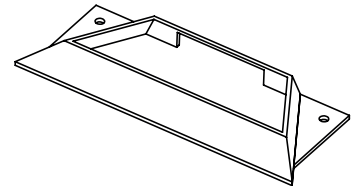
Electrical Screw Driver

x1



Router

x1

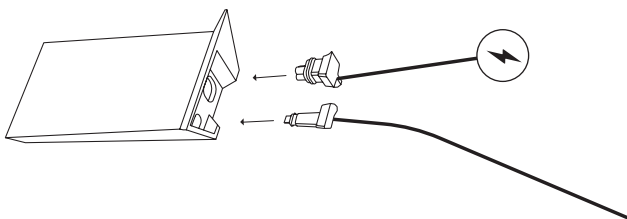


Router mount accessory

x1

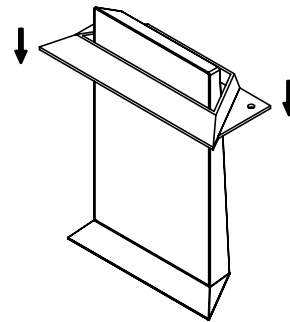
1

Plug the wires in the router



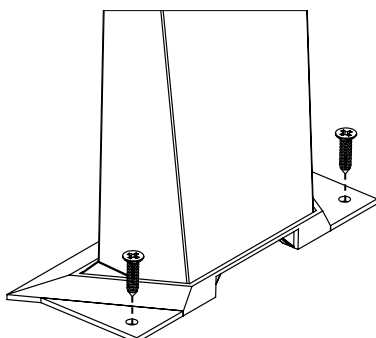
2

Insert the router in the router mount accessory



3

Fit the screws in the mount accessory holes



4

Tighten the screws with a electrical screw driver

