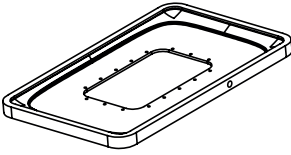
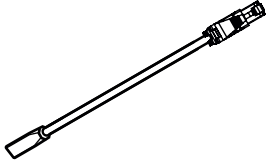
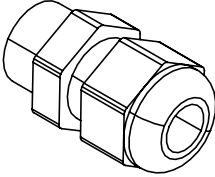

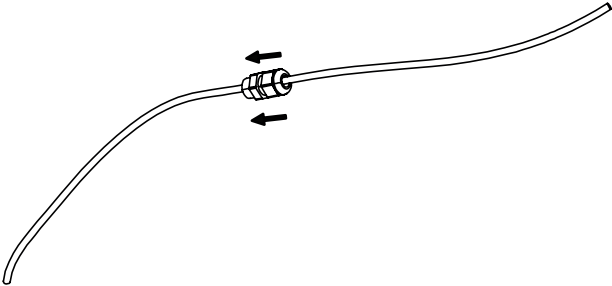
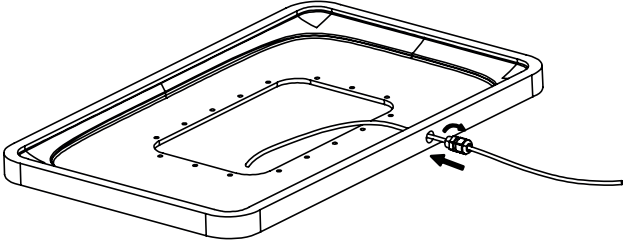
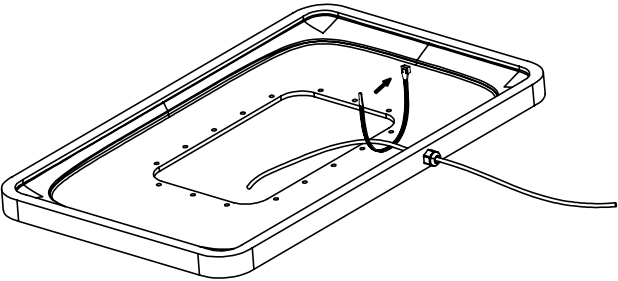
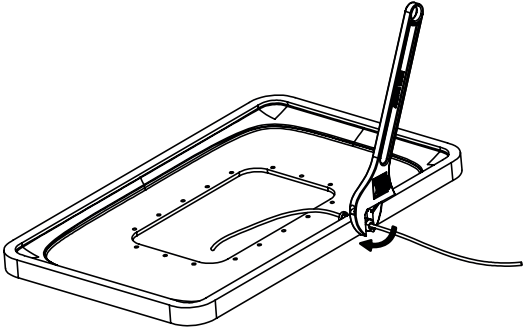


Fitting Gland Nut

	x1		x1		x1		x1
Case		Cable		Gland Nut		Wrench	

1	Insert the cable in the gland nut	2	Pass the cable through, and fit the gland nut in the case hole
			
3	Put a zip tier around the the cable inside the case ¹	4	Gently tighten the gland nut ²
			

1. This will prevent the cable to get out if it is pulled from outside.
2. Tighten the gland nut too much can cause damage to the cable