

# Dishy

## Cut Down Instructions

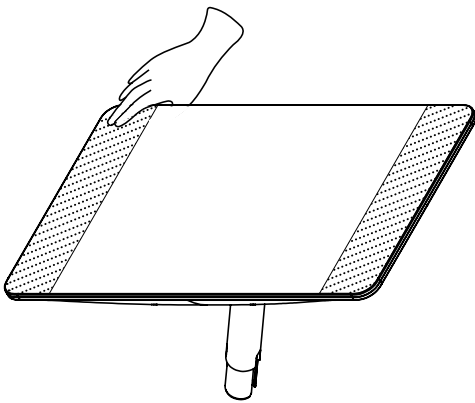


- Both Hand tools and power tools (inc battery ones) are dangerous if not used properly
- Only use tools for which you are competent
- Never force any object toward your body, helpers or bystanders
- Dismantling or modifying electronic equipment could damage the equipment.
- Once you have modified your equipment it will no longer be covered under warranty if it fails

**1**

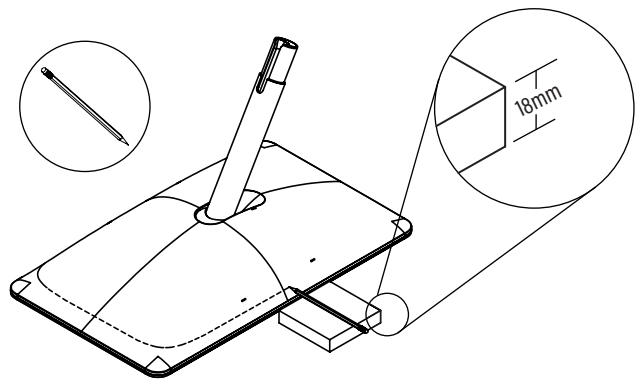
Tape all four edges with painters tape to prevent damage whilst face down

⚠ Ensure your work area is flat and even



**2**

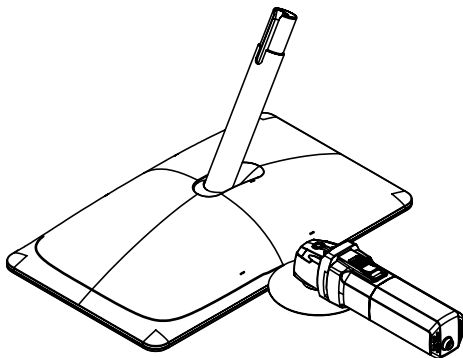
Draw a contour line with a sharp-tipped pencil on a spacer<sup>1</sup>



**3**

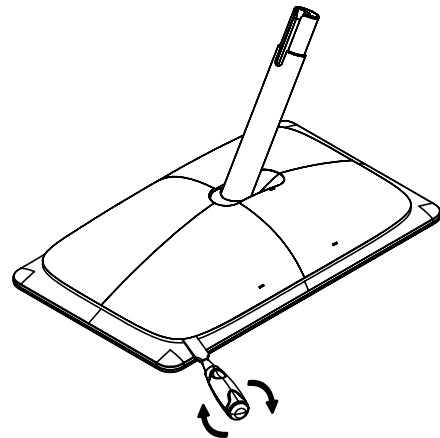
Cut slowly and carefully over the contour<sup>2</sup>

⚠ Do not penetrate more than the thickness of the case



**4**

Gently force up the cut piece by twisting a screwdriver or chisel on the corners<sup>3</sup>

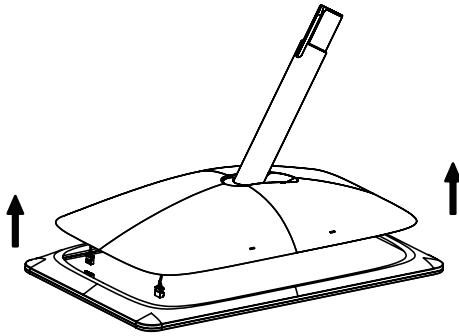


1. A 18mm piece of MDF or PLY is perfect for using as a spacer.
2. With a angel grinder or a similar tool, ensure to keep it flat when cutting.
3. Twist it carefully until you feel a click.

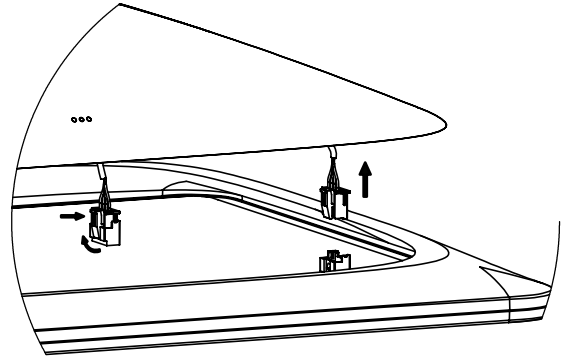
**5**

Lift the cut piece up slightly

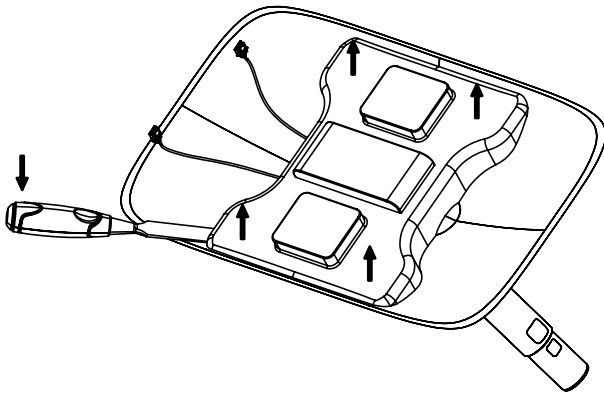
⚠ Only lift enough to unplug to prevent damage to board and cables

**6**

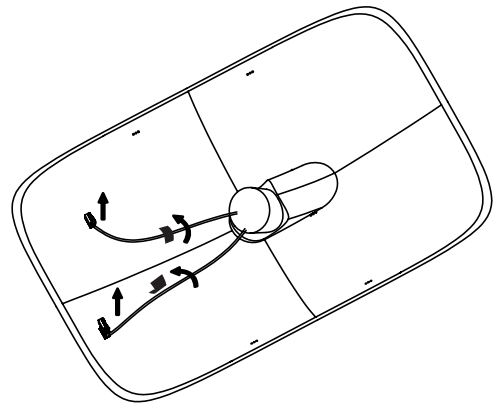
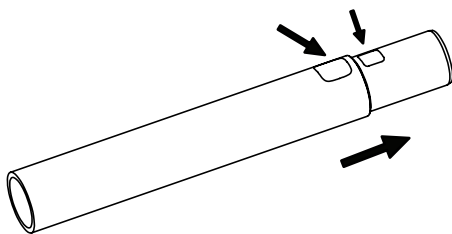
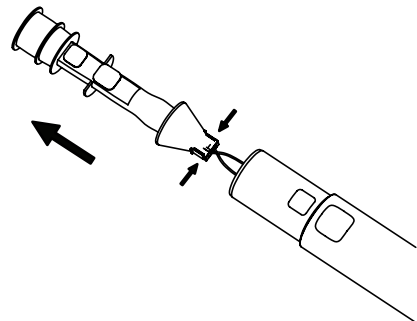
Unplug the wires by squeezing the connector latch and gently pulling up

**7**

Force the motor cover with a chisel in the corners to separate it from the main piece

**8**

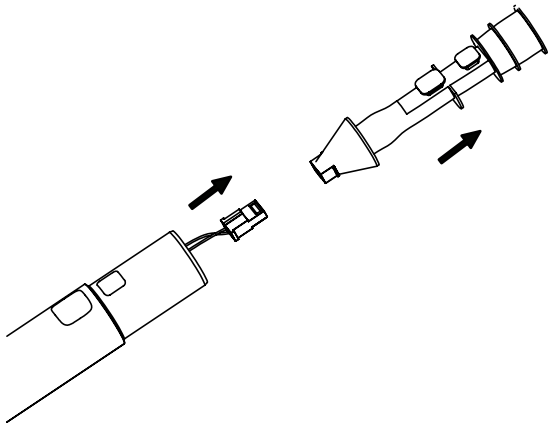
Carefully take the cables out of the cable clips

**9**Press both buttons of the antenna case while gently pushing them forward to unlatch it<sup>4</sup>**10**Pull the antenna out of the case, unlatch the connector by pushing its latches at both sides<sup>5</sup>

4. You might need a dull pointy implement for this, always push away from your body  
 5. Ensure the cable is free to slide into the stem while removing the cable holder

**11**

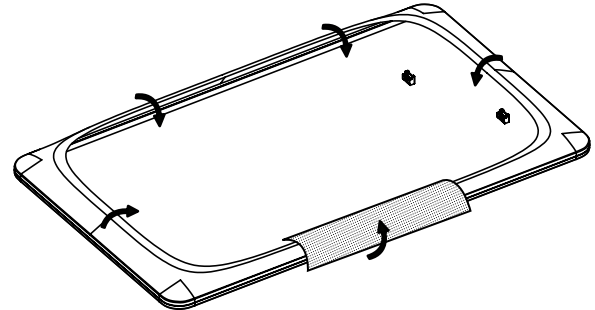
Unplug the connector, pull the cable carefully out of the case by its connector



**12**

(Optional) take the rough edges off with a sandpaper, sanding disc or orbital router

⚠ Do Not touch the circuit board with any sanding tool



**13**

Using a soft blower or similar blow the plastic dust out of the circuit board area

⚠ Do not get the nozzle too close for preventing damage to components

