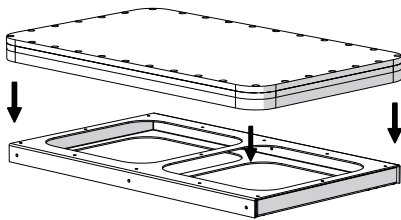


Connect Rugged or Extreme to Power Source

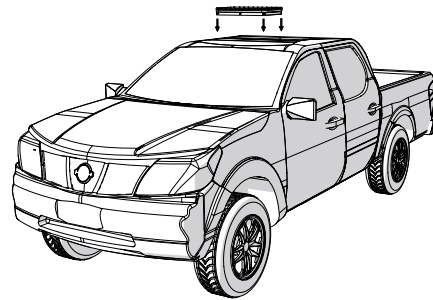
1

Attach the unit to the bracket following the instructions provided.



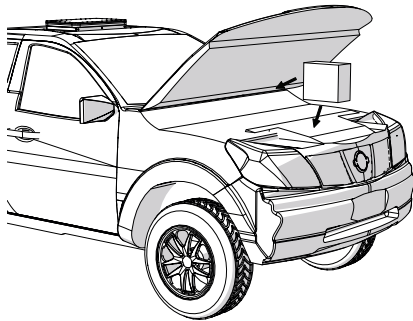
2

Attach the unit to the roof of your vehicle



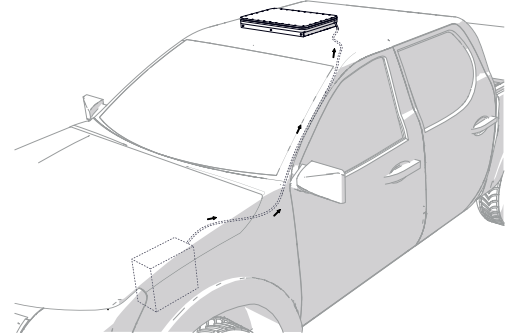
3

Install the external power supply under the Bonnett



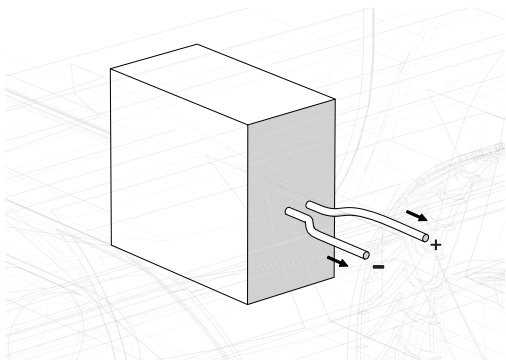
4

Cable the external power supply to the unit



5

Cable the external power supply to your vehicle's battery



6

Cable the external power supply to your start switch on the dash unit

