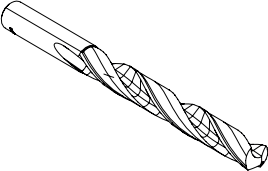
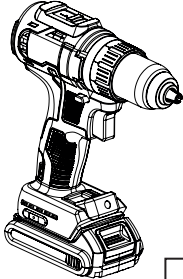
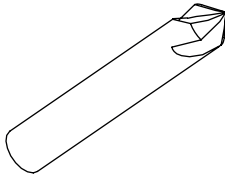
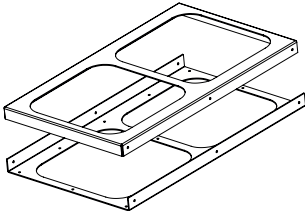


Attach Surface Mount to Rugged or Extreme



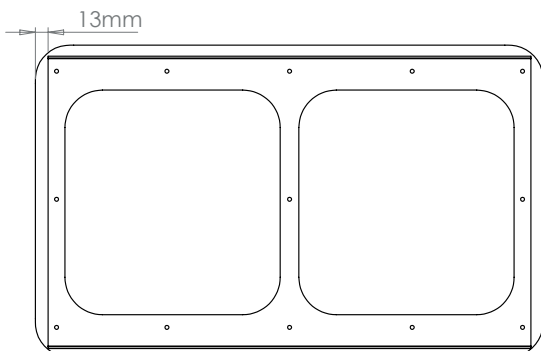
- Both Hand tools and power tools (inc battery ones) are dangerous if not used properly
- Only use tools for which you are competent
- Never force any object toward your body, helpers or bystanders
- Dismantling or modifying electronic equipment could damage the equipment.
- Once you have modified your equipment it will no longer be covered under warranty if it fails

ⓘ Outback comms does not drill mounting holes for the inner bracket of the surface mount to give each user the flexibility to place the mounting holes depending on their needs.

			
2-2.5mm rill bit	x1	Battery Drill	x1
		Countersink drill bit	x1
			Surface Mount
			x1

1

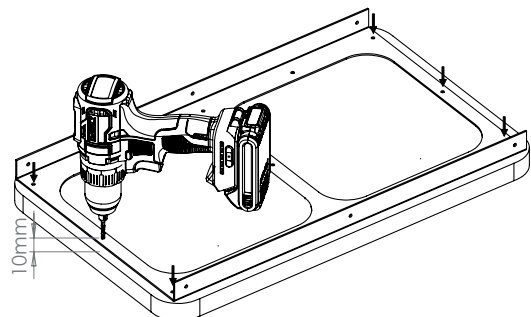
Sit your mount into the center of the case, around 13mm from the edges.



2

Carefully drill the external 6 holes on the case ¹

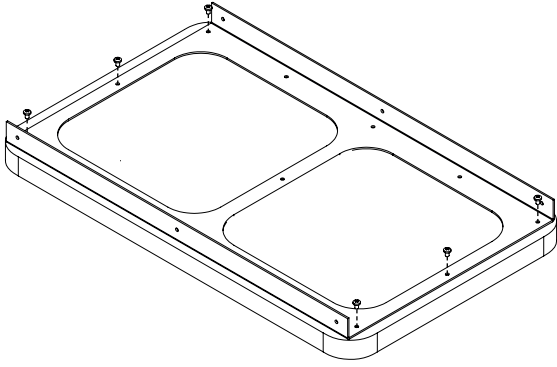
 Only drill about 10mm deep



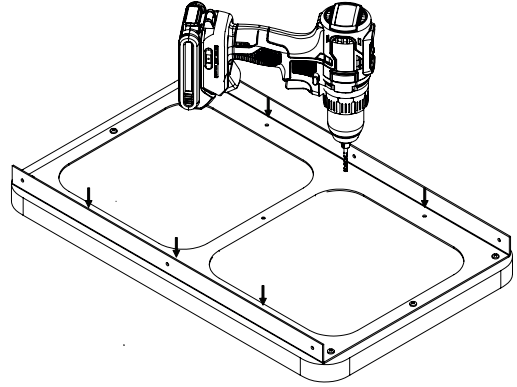
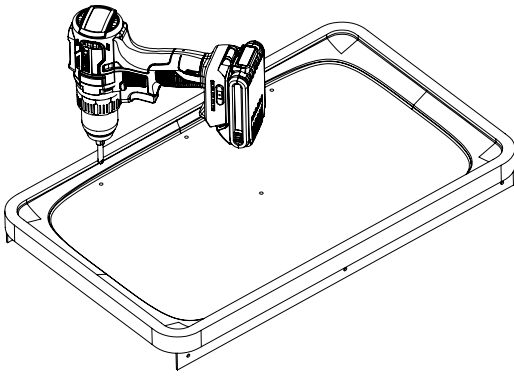
1. Ensure to drill slowly for avoiding damaging the plastic

3

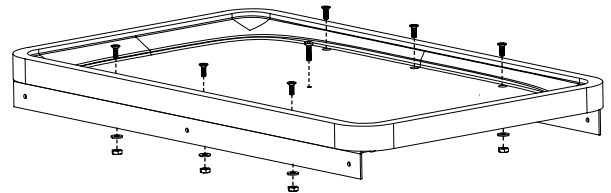
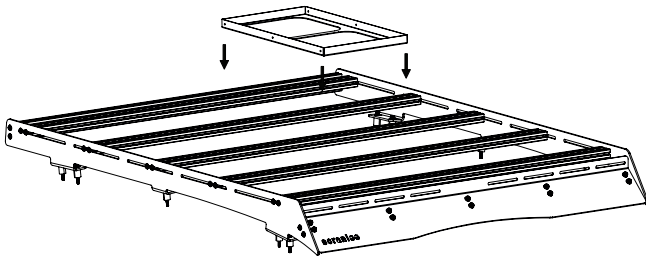
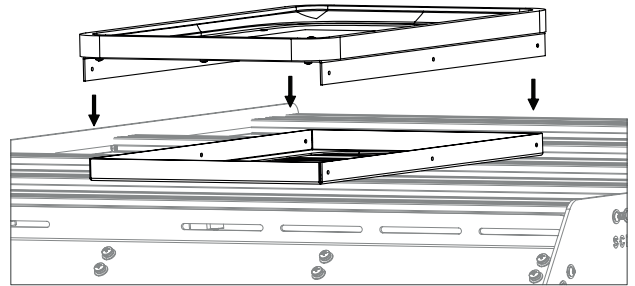
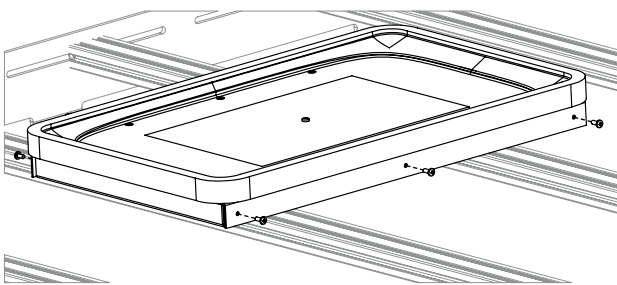
Fit the screws on the external holes

**4**

Drill the rest of the holes all the way through

**5**Flip the case and countersink the holes ²**6**

Fit the screws in the inner holes, fit a washer and a nut on each one

**7**Mount the inner bracket in place ³**8**Place the inner bracket of the surface mount ²**9**Fit the screws and nuts to secure the inner bracket to the mount ⁴

2. For a smooth surface finish after fitting the screws.
3. The inner bracket is slightly smaller than the outer for fitting inside it.
4. Depending on your application (roof racket, canopy, etc)