

# SafeZone Series

## Safety Products for Temporary Traffic Control



### Model SZ-484 Springless Stand

#### Safety

Bright orange, powder coated legs allow the SZ-484 sign stand to be seen from highways to city sidewalks.

#### Nut and Bolt Construction

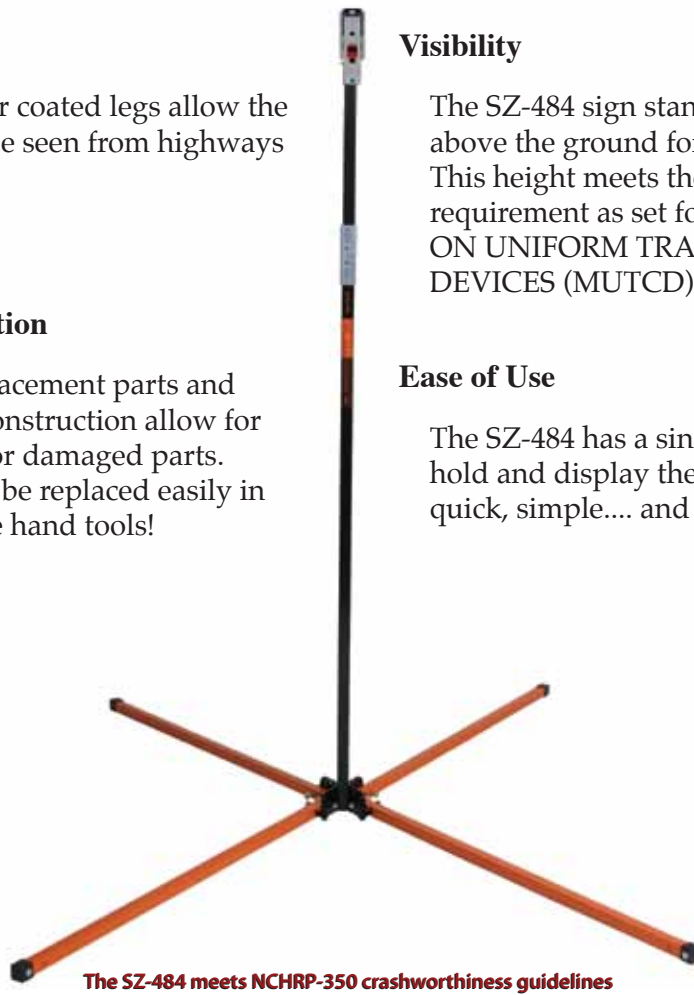
Readily available replacement parts and simple nut and bolt construction allow for fast repairs for worn or damaged parts. Component parts can be replaced easily in the field, using simple hand tools!

#### Visibility

The SZ-484 sign stand holds roll-up signs 84" above the ground for maximum visibility. This height meets the minimum height requirement as set forth in the MANUAL ON UNIFORM TRAFFIC CONTROL DEVICES (MUTCD).

#### Ease of Use

The SZ-484 has a single attachment point to hold and display the roll-up signs, making it quick, simple.... and easy to use!



**The SZ-484 meets NCHRP-350 crashworthiness guidelines**



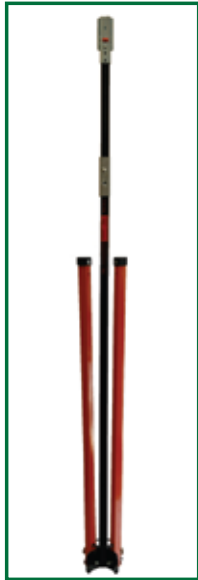
#### Crash Test Breakaway Base

The SZ-484's new breakaway base is the first of its kind. It has been designed, if impacted, to rotate 90 degrees to the ground causing no damage to the undercarriage of the impacting vehicle.

# FEATURES

## Compact & Lightweight

Measuring 6.5" x 6.5" x 91.75" when folded for storage, the SZ-484 sign stand requires a minimum of space on your vehicle... and, at just 32 lbs, it's easy to carry for setup and deployment of your roll-up signs!



## Snap Release Mast

The improved snap release mast can accept optional accessories at the touch of a button. As always, the patented auto-latch design holds the roll-up sign in the correct position and at the correct height...eliminating any guesswork.



## Universal Bracket

The optional universal bracket will allow the use of any brand of roll-up sign.



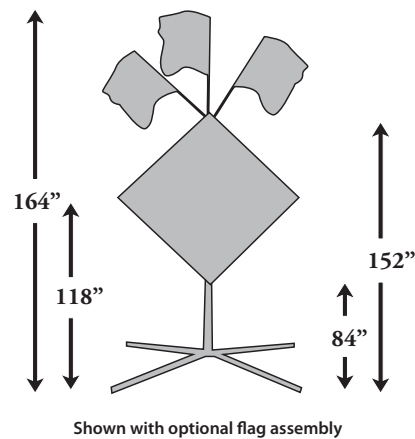
## Pull Pin/Kick Release Levers

The dual pull pin/kick release lever allows each leg to be deployed by either pulling the pin by hand or by stepping on the kick release at the user's option.



# DIMENSIONS

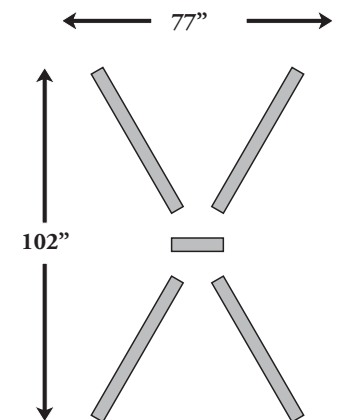
## SZ-484 Overall Dimensions (in the first position)



### Folding Dimensions:

Height: 91.75"  
 Weight: 32 lbs.  
 Area: 6.5" x 6.5" x 91.75"  
 Storage: 1.74 cubic ft.

## SZ-484 Footprint (in the first position)



**For maximum wind resistance:** All four (4) legs must be fully telescoped and in the down and locked position when using either 36" x 36" or 48" x 48" roll-up signs

Covered by U.S. patents #4,426,800 & 4,888,894. Other patents pending.